



ARCHIPELAGO
LIGHTING

luxo **A**RCH WALL PACKS

LWPE & LWPF-SERIES CATALOG



WWW.ARCHIPELAGOLIGHTING.COM

t: (866) 912-3220 | 4615 State, Montclair, CA 91763

ARCHIPELAGO LIGHTING © 2019

luxo[®]ARCH Wall Pack Summary

LWPE-Series | Entry-Way Wall Packs

Features:

- Tempered Lens w/ UV Coating Provides Uniformity and Glare Control
- Available With Photocell Sensors
- Compact & Light Weight Design
- IP65-Rated for Wet Location
- Suitable for -40°F to 120°F
- UL+DLC Standard



LWPF-Series | Classic Wall Packs

Features:

- Sealed Die-Casting for Outdoor Applications
- Universal or High-Voltage Drivers
- Polycarbonate Optics w/ UV Stabilizers
- Replacing Up to 400W MH
- IP65-Rated for Wet Location
- Classic Industrial Design
- UL Wet Location+DLC QPL Qualified



luxo **A**RCH | LWPE-Series Entry-Way Wall Packs



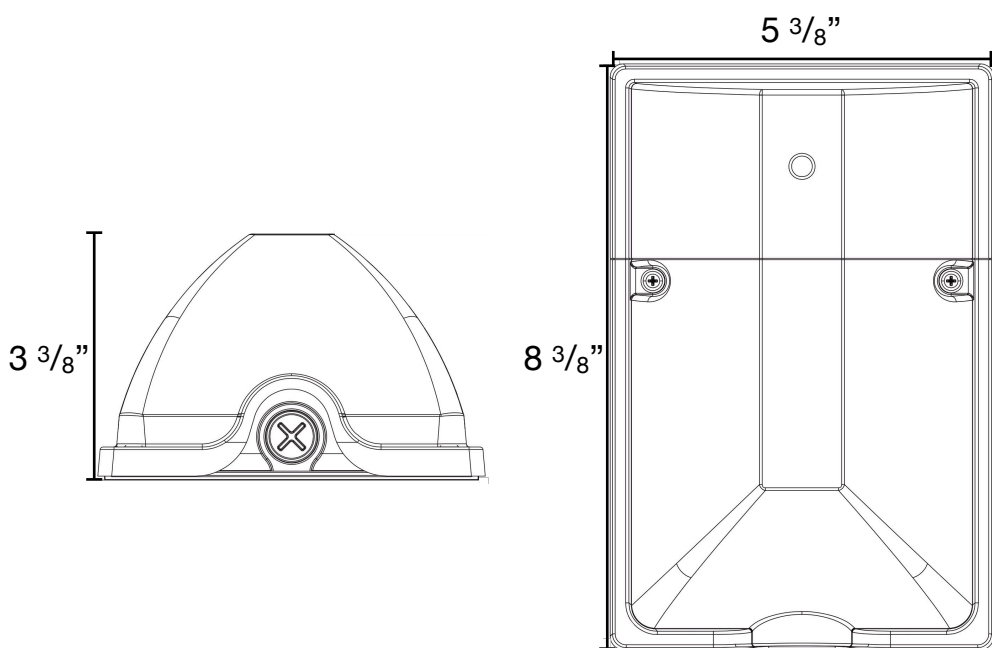
LWPE-SERIES | Entry-Way

PERFORMANCE

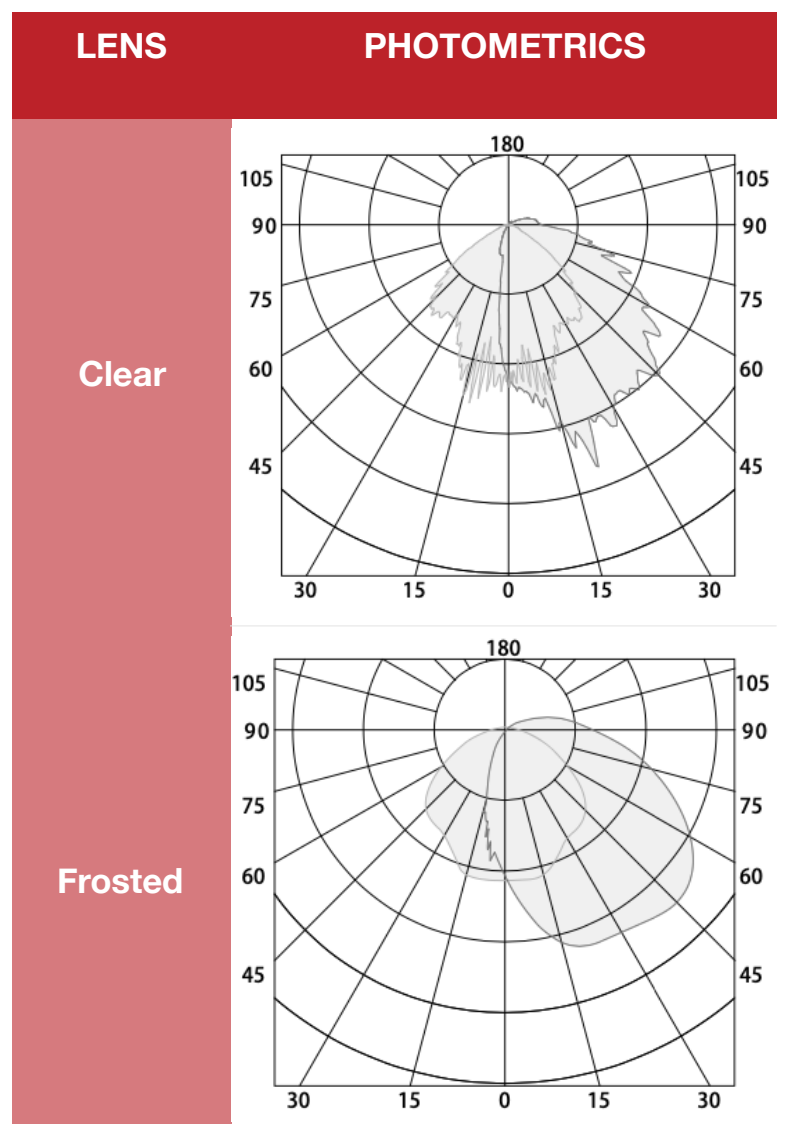
MODEL	WATT	VOLTAGE	CCT	LENS	LUMEN (3000K)	LUMEN (4000K)	LUMEN (5000K)
LWPE15	15W	120-277Vac	3000K	Clear	1760LM	1800LM	1820LM
			4000K	/	/	/	
			5000K	Frost	1600LM	1700LM	1750LM
LWPE25	25W	120-277Vac	3000K	Clear	2500LM	2550LM	2600LM
			4000K	/	/	/	
			5000K	Frost	2550LM	2600LM	2700LM

DIMENSION

MODEL	HEIGHT (In)	WIDTH (In)	DEPTH (In)
LWPE15	8 3/8"	5 3/8"	3 3/8"
LWPE25	8 3/8"	5 3/8"	3 3/8"



PHOTOMETRICS



LWPE-SERIES | Entry-Way

ORDERING GUIDE

MODEL SERIES	WATT (W)	CCT	FINISH	LENS	PHOTOCELL (Optional)
<input type="text"/>	<input type="text"/>	<input type="text"/>	<input type="text"/>	<input type="text"/>	<input type="text"/>
LWPE LED Wall Pack Entry-Way	15 15W	30 3000K	B Black	C Clear	PS 120-277V Sensor
	25 25W	40 4000K	D Dark Bronze	F Frost	Blank No Sensor
		50 5000K	W White		
EXAMPLE:					
<input type="text" value="LWPE25-50-WCPS"/>	<input type="text" value="25W"/>	<input type="text" value="5000K"/>	<input type="text" value="White"/>	<input type="text" value="Clear"/>	<input type="text" value="120-277V Sensor"/>

luxo **A**RCH | LWPF-Series Classic Wall Packs



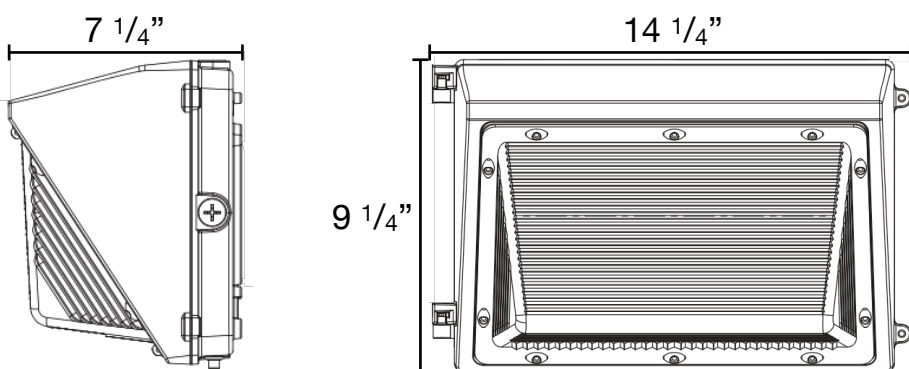
LWPF-SERIES | Classic

PERFORMANCE

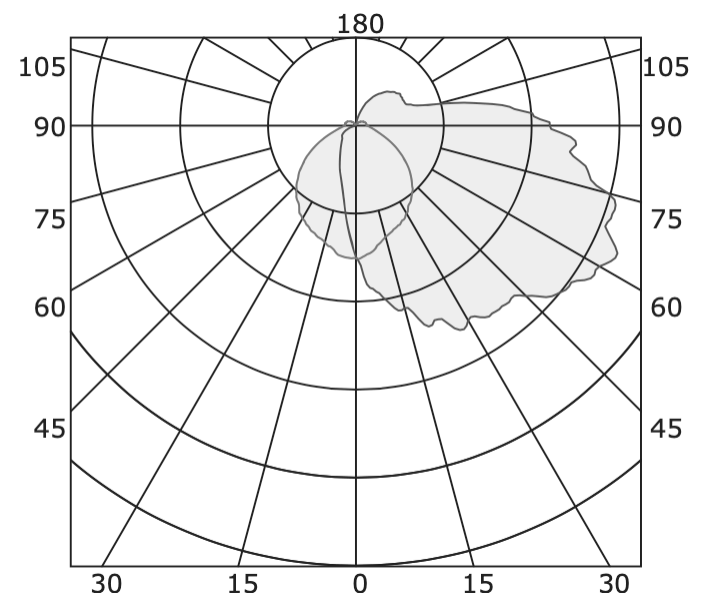
MODEL	WATT (W)	LUMEN (LM)	CCT	VOLTAGE (V)	CRI	OPERATING TEMP (°F)	MH EQUIV.
LWPF40	40W	4,650LM	4000K 5000K	100-277V 347-480V	>80	-22/+144°F	175W
LWPF60	60W	6,500LM	4000K 5000K	100-277V 347-480V	>80	-22/+144°F	250W
LWPF80	80W	8,150LM	4000K 5000K	100-277V 347-480V	>80	-22/+144°F	400W
LWPF120	120W	13,650LM	4000K 5000K	100-277V 347-480V	>80	-22/+144°F	400W

DIMENSION

MODEL	HEIGHT (In)	WIDTH (In)	DEPTH (In)
LWPF40	9 1/4"	14 1/4"	7 1/4"
LWPF60	9 1/4"	14 1/4"	7 1/4"
LWPF80	9 1/4"	14 1/4"	7 1/4"
LWPF120	9 1/4"	14 1/4"	7 1/4"



PHOTOMETRICS

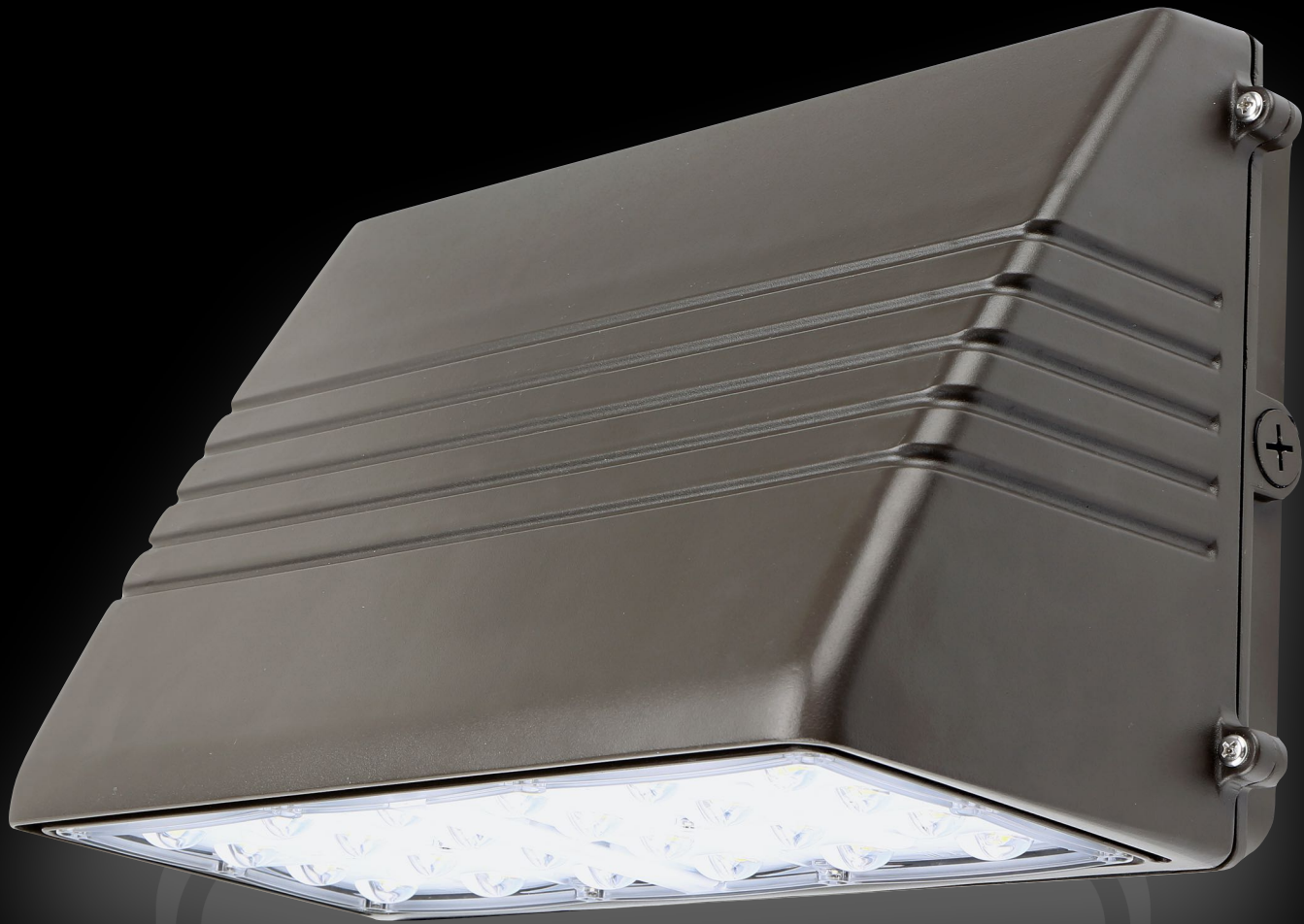


LWPF-SERIES | Classic

ORDERING GUIDE

MODEL SERIES	WATT (W)	CCT	VOLTAGE (V)	FINISH	PHOTOCELL (Optional)
<input type="text"/>	<input type="text"/>	— <input type="text"/>	— <input type="text"/>	<input type="text"/>	<input type="text"/>
LWPF LED Wall Pack Fixture	40 40W 60 60W 80 80W 120 120W	40 4000K 50 5000K	U 120-277V H 347-480V	B Black D Dark Bronze W White	PS 120-277V Sensor Blank No Sensor
EXAMPLE:					
<input type="text" value="LWPF40-50-HD"/>	<input type="text" value="40W"/>	— <input type="text" value="5000K"/>	— <input type="text" value="347-480V"/>	<input type="text" value="Dark Bronze"/>	<input type="text" value="No Sensor"/>

luxo **A**RCH | LWPC-Series Full-Cutoff Wall Packs



LWPC-SERIES | Full-Cutoff

PERFORMANCE

MODEL	WATT	VOLTAGE	CCT	LUMEN (4000K)	LUMEN (5000K)
LWPC27	27W	120-277Vac	4000K 5000K	3900LM	3950LM
LWPC45	45W	120-277Vac 347-480Vac	4000K 5000K	6500LM	6600LM
LWPC70	70W	120-277Vac 347-480Vac	4000K 5000K	9800LM	9900LM
LWPC90	90W	120-277Vac 347-480Vac	4000K 5000K	12000LM	12200LM
LWPC135	135W	120-277Vac 347-480Vac	4000K 5000K	18000LM	18000LM

ORDERING GUIDE

MODEL SERIES	WATT (W)	CCT	VOLTAGE	FINISH	PHOTOCELL	BATTERY BACKUP
LWPC	27 27W	40 4000K	U 120-277V	B Black	Blank No Photocell	Blank No Battery
LED Full-Cutoff Wall Pack	45 45W	50 5000K	H 347-480V	D Dark Bronze	PA 120-277V Photocell	EML EM Battery Backup (15-55VDC)
	70 70W			W White		
	90 90W					
	135 135W					EML EM Battery Backup (50-180VDC)

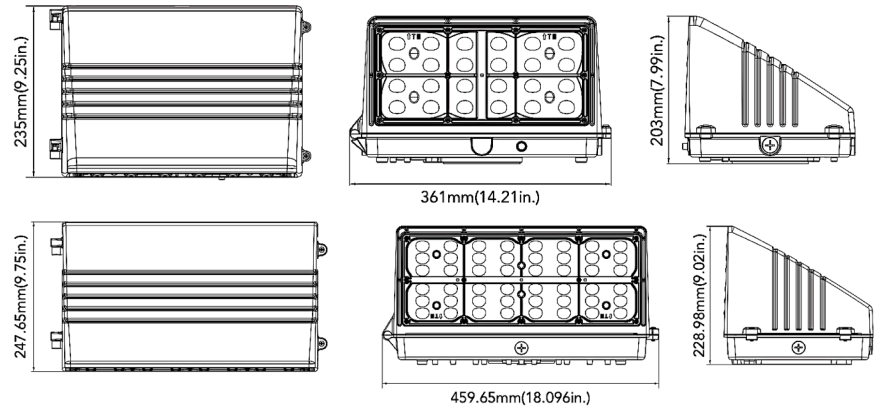
EXAMPLE:

LWPC90-50-UD-PA	90W	5000K	120-277Vac	Dark Bronze	Photocell	EML
-----------------	-----	-------	------------	-------------	-----------	-----

LWPC-SERIES | Full-Cutoff

DIMENSIONS

MODEL	HEIGHT (In)	WIDTH (In)	DEPTH (In)	NET WEIGHT (lb)
LWPC27 LWPC45 LWPC70	9.25"	14.21"	7.99"	5.80lb 5.98lb 6.20lb
LWPC90 LWPC135	9.75"	18.10"	9.02"	10.50lb 10.95lb



ABOUT THE COMPANY

ARCHIPELAGO LIGHTING

Archipelago Lighting, Inc. is a leading prime manufacturer of commercial and residential lighting products in USA and China. We are a team of passionate lighting professionals whose goal is to improve life through disruptive LED lighting products. We manufacture a wide variety of products to support the growing adoption of energy efficient LED



ARCHIPELAGO
LIGHTING

WWW.ARCHIPELAGOLIGHTING.COM

t: (866) 912-3220 | 4615 State, Montclair, CA 91763

ARCHIPELAGO LIGHTING © 2019