

COMMERCIALPRO SERIES

luxo<sup>®</sup>ARCH

# LWPF

---

30W - 125W  
LED WALL PACK

---

COMMERCIAL GRADE

## PRODUCT OVERVIEW

---

The luxo<sup>®</sup>ARCH LED classic wall pack is engineered to protect against vandalism and even bad weather, these fixtures may be paired with photocells to optimize performance. It's design is unique for perimeter illumination and is armed with rugged cast-aluminum corrosion-resistant housing with polyester power-coating for longer lifespan and durability.

Featuring shatter-resistant polycarbonate or glass lens, tamper-proof die-cast aluminum housing and designed to weather extremes, the LWPF-series will exceed lighting demands for driveways, outdoor entry-ways and other general commercial areas.





### MODEL SPECIFICATIONS

Model	Watt	Lumens	Voltage	CCT	LPW	Replaces
LWPF	30W	3,600LM	120-277V	4000K 5000K	120LM/W	100W MH
LWPF	40W	5,100LM	120-277V 347-480V		128LM/W	175W MH
LWPF	60W	7,900LM	120-277V 347-480V		122LM/W	250W MH
LWPF	90W	10,500LM	120-277V 347-480V		120LM/W	320W MH
LWPF	125W	15,000LM	120-277V 347-480V		120LM/W	400W MH

### ORDERING GUIDE

Model Series	Watt (W)	CCT (K) [xx]	Voltage (V)	Finish [y]	Photocell[a]	Battery Backup
<b>LWPF</b>   LED Classic Wall Pack	<b>30</b>   30W	<b>40</b>   4000K	<b>U</b>   100-277V <b>H</b>   347-480V	<b>D</b>   Dark Bronze *	<b>Blank</b>   No Photocell <b>PS</b>   120-277V Photocell	<b>Blank</b>   None ** <b>EM08</b>   EM Driver + 8W Battery
	<b>40</b>   40W	<b>50</b>   5000K		<b>B</b>   Black		
	<b>60</b>   60W		<b>W</b>   White			
	<b>90</b>   90W		<b>S</b>   Silver			
	<b>125</b>   125W					

\* Standard option

\*\* Integral Controls & Emergency Drivers

Choose Your Model Specifications Above:

<b>LWPF</b>	<b>60</b>	<b>50</b>	<b>U</b>	<b>D</b>	<b>PS</b>	<b>EM08</b>
-------------	-----------	-----------	----------	----------	-----------	-------------

**Example Ordering Number:**

**LWPF60-50-UD-PS-EM08**

### PROJECT DETAILS

Project Name	
Fixture Schedule	
Product Number	
Notes	

### KEY FEATURES

- WEATHER-SEALED DIE-CAST ALUMINUM HOUSING
- MOUNTING PLATE IS DESIGNED FOR ANY OVERHEAD INSTALLATION
- POLYCARBONATE OPTICAL LENS PROVIDES WIDE BEAM SPREAD
- BUILT-IN KNOCK OUT SUPPORTS OPTIONAL VERTICAL MOUNT
- OPTIONAL BUILT-IN SENSOR FOR OPTIMUM EFFICIENCY
- OPTIONAL BUILT-IN BATTERY BACKUP
- REPLACES UP TO 400W MH

### KEY SPECIFICATIONS

- **Housing:** Weather-sealed die-cast aluminum
- **Input Voltage:** 120-277Vac & 347-480Vac
- **Operating Temp:** -40°F – 130°F
- **IP:** UL Wet Location Listed
- **PF:** >0.9 Non-Flicker
- **Efficacy:** >120LM/W
- **Dimming:** 1-10V
- **THD:** <20%
- **CRI:** >70

### APPLICATIONS



Walkways |  
Pathways



Entryways



Perimeter  
Lighting



Security  
Lighting

### CERTIFICATIONS



**PHYSICAL FEATURES**
**Housing**

Suitable for both indoor and outdoor application, also suitable for J-BOX mounting and surface mounting.

**Photocell**

Optional photocell allows for security and energy saving

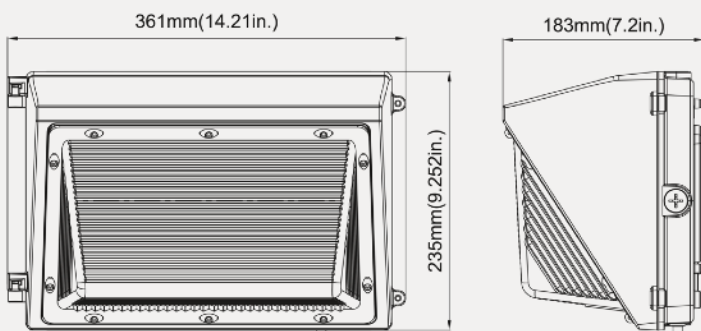
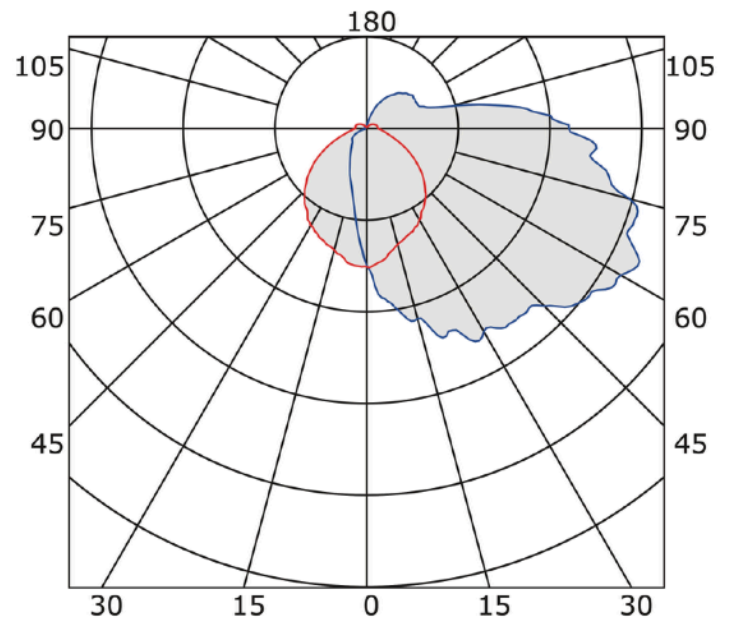
**Lens**

Polycarbonate optical lens with UV stabilizers do not exhibit yellowing and deformation

**1/2inch Threaded Hole**  
 3pcs hole can support wires coming outfrom the hole for easier wire connections


**SIZING & MEASUREMENTS**

Model Series	Depth (in)	Height (in)	Length (in)	Weight (lb)
LWPF30	7.2	9.3	14.2	6.5
LWPF40	7.2	9.3	14.2	6.5
LWPF60	7.2	9.3	14.2	6.7
LWPF90	7.2	9.3	14.2	7.3
LWPF125	7.2	9.3	14.2	8.2

**PHOTOMETRICS**

**ACCESSORIES**

luxo-PS

Photocell Sensor, 120V-277V


**Notes:**

\* Accessory item(s) may only be ordered as part of full fixture assembly. Example ordering code: LWPF40-50-UD-PS

\*\* Accessory item(s) may be ordered separately from full fixture assembly. Example order code: luxo-PS

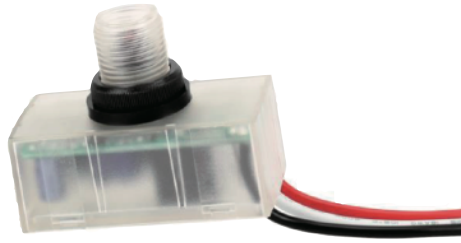


**DLC MODEL GUIDE**

Product ID	Model No.	DLC	Controls	Lumen	Efficacy	THD	PF	CCT	CRI	Voltage
<b>LWPF30   30W</b>										
PL8JQ1VVBCCO	LWPF30-50-U[D,B,W]-[Blank,PS]	Premium	Yes	3,600	120	15	0.90	5000	70	120 - 277Vac
PLP0ASGMRO5X	LWPF30-40-U[D,B,W]-[Blank,PS]	Premium	Yes	3,550	118	15	0.90	4000	70	120 - 277Vac
<b>LWPF40   40W</b>										
PXE2MP3N	LWPF40-41-1	standard	No	4,236.5	112	15	0.90	4000	80	120 - 277Vac
P7SFVCU0	LWPF40-50-1	standard	No	4,284	112	15	0.90	5000	80	120 - 277Vac
PLQCT4ND2GAI	LWPF40-40-U[D,B,W]-[Blank,PS]	Premium	Yes	5,000	125	15	0.90	4000	70	120 - 277Vac
PLD0ULWBBZL0	LWPF40-50-U[D,B,W]-[Blank,PS]	Premium	Yes	5,100	128	15	0.90	5000	70	120 - 277Vac
PL4RNAPRS716	LWPF40-50-H[D,B,W]	standard	No	5,100	128	15	0.90	5000	70	347 - 480Vac
PL88PSMMC2KA	LWPF40-40-H[D,B,W]	standard	No	5,000	125	15	0.90	4000	70	347 - 480Vac
<b>LWPF60   60W</b>										
PW7IGJHN	LWPF60-41-1	standard	No	7,709.9	128	15	0.89	4000	80	120 - 277Vac
PGDPGNHR	LWPF60-50-1	standard	No	7,908	131	15	0.89	5000	80	120 - 277Vac
PLIIFC5LUDWL	LWPF60-40-U[D,B,W]-[Blank,PS]	standard	Yes	7,800	120	15	0.90	4000	70	120 - 277Vac
PLE8XA6HNIL5	LWPF60-50-U[D,B,W]-[Blank,PS]	standard	Yes	7,900	122	15	0.90	5000	70	120 - 277Vac
PLGSUIRQGFHF	LWPF60-40-H[D,B,W]	standard	No	7,800	120	15	0.90	4000	70	347 - 480Vac
PLPEQX6YT5V5	LWPF60-50-H[D,B,W]	standard	No	7,900	122	15	0.90	5000	70	347 - 480Vac
<b>LWPF90   90W</b>										
PLAI9LKDHYVR	LWPF90-40-U[D,B,W]-[Blank,PS]	standard	Yes	10,000	111	15	0.90	4000	80	120 - 277Vac
PL6GP49UBO16	LWPF90-50-U[D,B,W]-[Blank,PS]	standard	Yes	10,500	117	15	0.90	5000	80	120 - 277Vac
PL1ZXKEJ02RN	LWPF90-40-H[D,B,W]	standard	No	10,000	111	15	0.90	4000	70	347 - 480Vac
PLA981MHQ62P	LWPF90-50-H[D,B,W]	standard	No	10,500	117	15	0.90	5000	70	347 - 480Vac
<b>LWPF125   125W</b>										
PLR9BKQHALAU	LWPF125-50-U[D,B,W]-[Blank,PS]	standard	Yes	15,000	120	15	0.90	5000	70	120 - 277Vac
PLHZI22VTKYC	LWPF125-40-U[D,B,W]-[Blank,PS]	standard	Yes	14,500	116	15	0.90	4000	70	120 - 277Vac
PLA176BLG9Y9	LWPF125-40-H[D,B,W]	standard	No	14,500	116	15	0.90	4000	70	347 - 480Vac
PLXSE5NK3F9I	LWPF125-50-H[D,B,W]	standard	No	15,000	120	15	0.90	5000	70	347 - 480Vac

 Link: [https://www.designlights.org/search/?search=LWPF\\*](https://www.designlights.org/search/?search=LWPF*)
**\* Note:**
**Dimming Status:** Continuous Dimming to 10% or below

**Integral Controls:** Has Integral Controls

**luxo-PS**


## PRODUCT DESCRIPTION

luxo-PS 1/2 in-hole photocell is suitable for roadway light, advertising light boxes, signs and other equipment used in various places such as roads, outdoor lighting, building corridors, and park district lighting.

Reliable function and high sensitivity. This product has a wide voltage range to meet the voltage requirements of each region. In addition, the preset 8-15 second delay prevents malfunctions caused by lightning, flashlights, car taillights, etc. at night.

This product has passed UL certification and complies with UL773A standard for non-industrial light control switches.

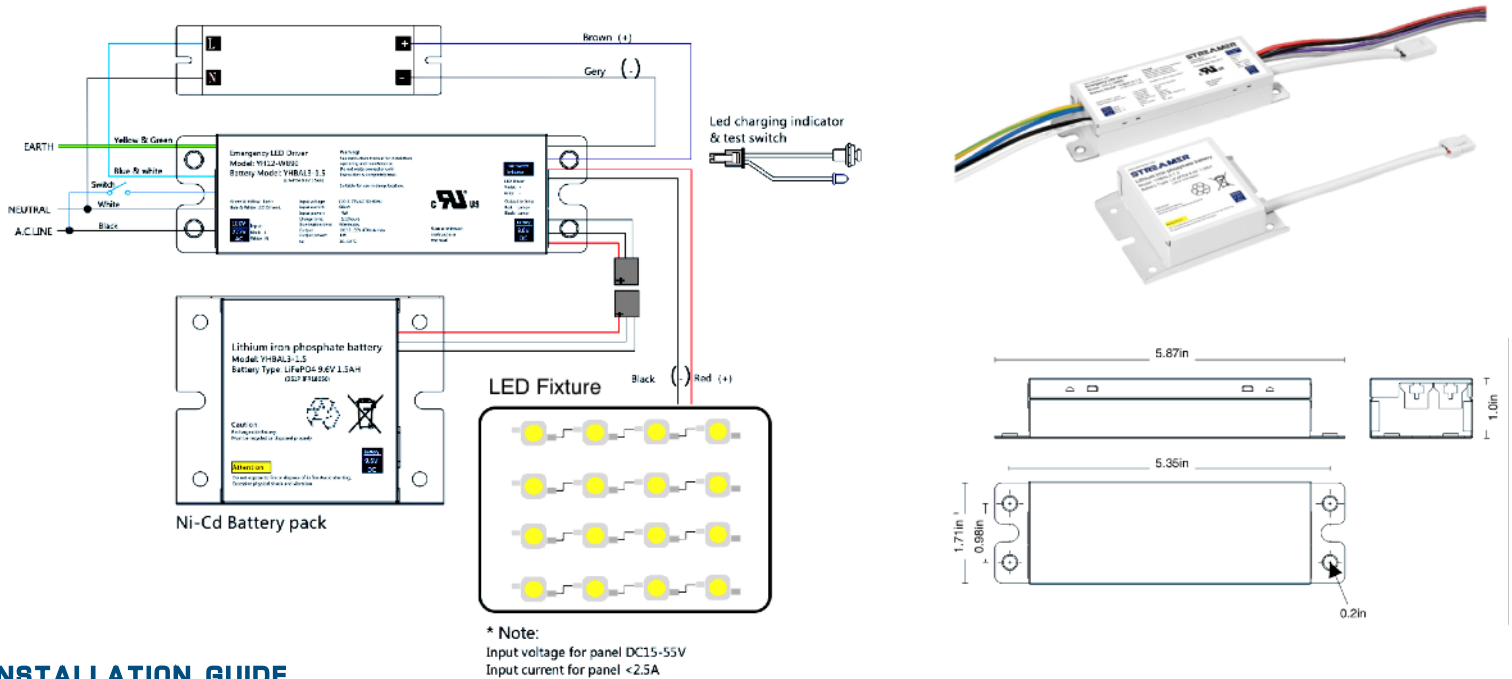
## MODEL SPECIFICATIONS

Model No.	luxo-PS
Product ID	MS-PUNVC01
Input Voltage	90/305Vac, 50/60Hz
Switch Illumination	10~20Lx when turn on, 60~80Lx when turn off
Maximum Load	750W filament lamp 120Vac, 5A electronic ballast/LED 277Vac, 3A electronic ballast/LED
Power Consumption	0.7W
Ambient Temperature	-40°F – 176°F
Operating Humidity	≤99%RH.
Net Weight	40g
Product Size	2.36 (L) x 1.14 (W) x 1.79 (H) in.
Wire Length	7in also customizable (AWG#18).

## PERFORMANCE SPECIFICATION

Model No.	luxo-EM08	Output Voltage Range	DC15-50V
Product ID	YH12-W890	Output Power	8W (7-8.5W) Constant Power
Rated Input Voltage	100-277Vac, 50/60Hz	Ambient Operating	50°F — 122°F
Rated Input Current	10-80mA	Storage Temperature	14°F — 95°F
Rated Input Power	4W Max @ 277Vac	Charge Discharge Cycle	1000 Full Cycles
Power Factor	0.50 @ 100Vac	RFI/EMI	FCC
Blue & White Lead	Input Pass Through, 50V, 3A Max	Life Cycle	50,000 Hours
Charge Time	24hours	Approvals	UL Listed, Class 2, Damp & Dry Locations
Emergency Standby	90min	IP	IP20
Charge Current	0-250mA	Net Weight	1.0lb
Charge Voltage Limit	7.4V	Protection	Input over-current protection (fuse) Output over-voltage protection Output low-voltage protection Output short-circuit protection
Battery Type	LiFePO4 9.6V 1.5Ah		
Battery Cells	18650 Battery Core		

## WIRING DIAGRAM



## INSTALLATION GUIDE

### PLEASE READ ALL INSTRUCTIONS BEFORE ATTEMPTING INSTALLATION

- Risk of fire or electric shock. Luminaire wiring and electrical parts may be damaged when drilling for installation of LED Emergency Backup. Check for enclosed wiring and components.
- Risk of fire or electric shock. This LED Emergency Backup installation requires knowledge of luminaire electrical systems. If not qualified, do not attempt installation. Contact a qualified electrician.
- Before installing, make sure the AC power to the fixture is off.
- The electrical rating of this product is 100-277V. Installer must confirm that there is 100-277Vac the fixture before installation.
- To prevent electrical shock, only mate unit connector after installation is complete and before the AC power to the fixture is back on.
- This LED Emergency Backup unit requires an un-switched AC power source of 100-277V, 50/60Hz. The AC driver must be on the same branch circuit as the LED Emergency Backup unit.
- Do not let power supply cords touch hot surfaces.
- Do not mount near gas or electric heaters.
- Do not join battery pack connector until all other wiring is complete and AC power is on.

## INSTALLATION GUIDE

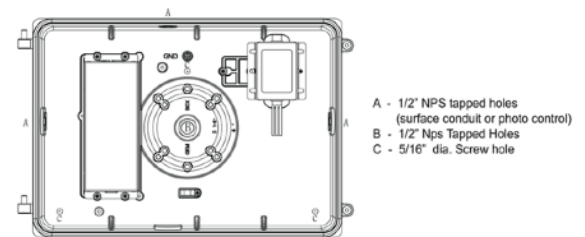
### PLEASE READ ALL INSTRUCTIONS BEFORE ATTEMPTING INSTALLATION

- Please read the product specification carefully first to confirm that the working environment is in line with the condition on the specification before it is used.
- Please confirm the input voltage and frequency before use.
- The light must be installed by professional personnel
- If the power cord and case of the products are damaged, it will be regarded as disqualified product and should not be used.
- If external soft cable or wire of the product is damaged, the wire should be replaced by manufacturer or service agent or personnel with similar qualification to avoid danger.
- This luminaire is designed to operate in ambient temperatures ranging from -40°F to 150°F and to be horizontally mounted facing down.
- This product must be installed in accordance with the applicable installation code by a person familiar with the construction and operation of the product and the hazards involved.
- This product is not available for several special environments, such as places with corrosive gas liquids or high pressure water vapor.
- CONSULT A QUALIFIED ELECTRICIAN TO ENSURE CORRECT BRANCH CIRCUIT CONDUCTOR
- CAUTION - RISK OF FIRE

#### Junction Box Mounting (Figure. 1)

1. Loosen screws and remove the front lens set carefully from the back plate.
2. Drill appropriate knockouts (B) for wiring, the fixture supports standard 3 1/4" and 4" Junction box.
3. Attach the back plate on the wall, use the supplied gaskets for a weather tight seal.
4. Finish wiring (Black for Line, White for Neutral and Yellow Green for Ground).
5. Replace the lens set on the hinges, make connections and close the lens set then tighten the screws

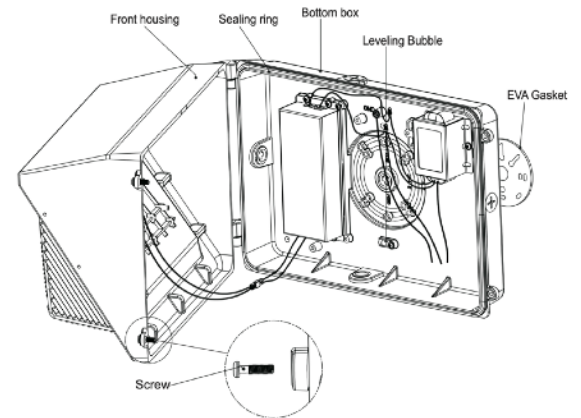
Figure 1.



#### Conduit Mounting (Figure. 2)

1. Loosen screws and remove the front lens set carefully from the back plate.
2. Remove 1/2" plug from where you intend to feed conduit .
3. Drilling out the holes (C) to secure it on the wall with choosing proper screws.
4. Finish wiring (Black for Line, White for Neutral and Yellow Green for Ground).
5. Replace the lens set on the hinges, make connections and close the lens set then tighten the screws

Figure 2.

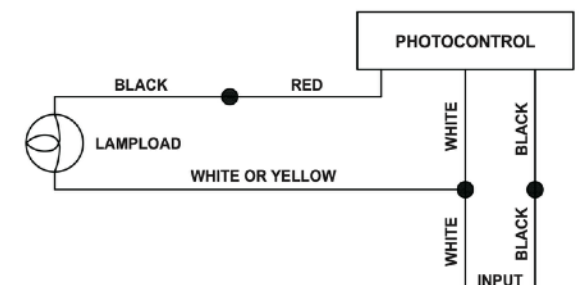


#### Photocell Installation (Figure. 3)

Universal voltage driver permits operation at 120V to 277VAC, 60 Hz except fixtures factory ordered with a 120V photocell or 277V photocell or 347V photocell.

1. Install photocell and wire as per diagram.
2. Use photocell rated for your supply voltage.

Figure 3.



## WARRANTY

 **7 Year** **75,000-Hours**

The lesser of 7-Years after shipment by Seller, or 75,000-Hours of use.

ARCHIPELAGO will not under any circumstances whether as a result of breach of contract, breach of warranty, tort, strict liability or otherwise be liable for consequential, incidental, special or exemplary damages including but not limited to, loss of pro its or revenues, loss of use of the above product or any other goods or associated equipment or damage to any associated equipment, cost of capital, cost of substituted products, facilities of services, downtime cost, or claims of claimant's customers. ARCHIPELAGO's liability on any claim of any kind for any loss or damages arising out of, resulting from or concerning any aspect of this agreement of from the product or services furnished hereunder shall not exceed the price of the specific product or products listed above which gives rise to the claim. This warranty gives the claimant specific legal rights. The claimant may also have other rights, which vary from state to state.

For a complete documentation of ARCHIPELAGO Lighting, Inc. warranty and limitation of liability, please refer to [www.archipelagolighting.com](http://www.archipelagolighting.com).

## CERTIFICATIONS



## QUESTIONS?

### ARCHIPELAGO LIGHTING, Inc.

#### Headquartered:

4615 State Street, Montclair, CA 91763

#### Production Facility:

7345 Sycamore Canyon Blvd, Riverside, CA 92508

[www.archipelagolighting.com](http://www.archipelagolighting.com)

[sales@archipelagolighting.com](mailto:sales@archipelagolighting.com)

t: (866) 912-3220

f: (909) 627-2887

## ARCHIPELAGO LIGHTING

Archipelago Lighting, Inc. is a leading prime manufacturer of commercial and residential lighting products in USA and China. We are a team of passionate lighting professionals whose goal is to improve life through disruptive LED lighting products. We manufacturer a wide variety of products to support the growing adoption of energy efficient LED.

