

COMMERCIALPRO SERIES

luxoARCH

LWPC

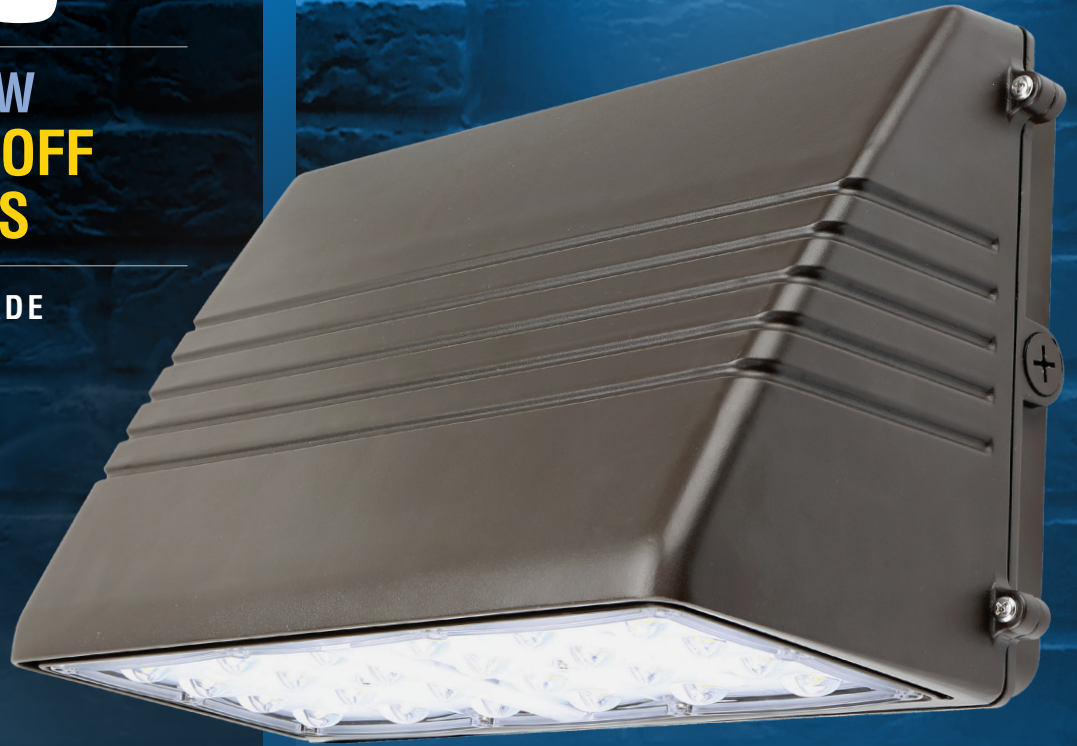
27W - 135W
LED FULL-CUTOFF
WALL PACKS

COMMERCIAL GRADE

PRODUCT OVERVIEW:

The luxoARCH LED full-cutoff wall pack is engineered to protect against vandalism and even bad weather, these fixtures may be paired with photocells to optimize performance. It's design is unique for perimeter illumination and is armed with rugged cast-aluminum corrosion-resistant housing with polyester power-coating for longer lifespan and durability.

Featuring shatter-resistant polycarbonate or glass lens, tamper-proof die-cast aluminum housing and designed to weather extremes, the LWPC-series will exceed lighting demands for driveways, outdoor entry-ways and other general commercial areas.





PROJECT DETAILS:

Project Name:

Distribution Partner:

Notes:

KEY FEATURES:

- Weather Resistant, Sealed Die-Cast Aluminum
- Suitable for Extreme Applications Requiring 3G Testing Prescribed by ANSI C136.31
- Optional Photocell Allows for Security and Optimized Efficiency
- Traditional Metal Halide or High-Pressure Sodium Design
- Mounts Directly to Wall Surface or J-Box
- Thermally Isolated Driver Design
- Replaces Up To 800W MH

MODEL SPECIFICATIONS:

Model	Watt (W)	Lumens (LM)	Voltage	CCT (K)
LWPC27	27W	3900LM 3950LM	120-277V	4000K 5000K
LWPC45	45W	6500LM 6600LM	120-277V 347-480V	4000K 5000K
LWPC70	70W	9800LM 9900LM	120-277V 347-480V	4000K 5000K
LWPC90	90W	12000LM 12200LM	120-277V 347-480V	4000K 5000K
LWPC135	135W	18000LM 18000LM	120-277V 347-480V	4000K 5000K

UNIVERSAL SPECIFICATIONS:

- **Housing:** Durable die-cast aluminum
- **Input Voltage:** 120-277Vac or 347-480Vac
- **Operating Temp:** -40°F — 130°F
- **IP:** UL Wet Location Listed
- **PF:** >0.9 Non-Flicker
- **Efficacy:** >135LM/W
- **Dimming:** 1-10V
- **THD:** <20%
- **CRI:** >70

APPLICATIONS:


 Walkways,
Pathways


Entryways


 Perimeter
Lighting

 General
Security Lighting

ORDERING GUIDE:

Model	Watt (W)	CCT (K)	Voltage (V)	Finish (y)	Photocell (b)	Battery Backup
LWPC LED Full-Cutoff Wall Pack	27 27W 45 45W 70 70W 90 90W 135 135W	40 4000K 50 5000K	U 120-277V H 347-480V	B Black D Dark Bronze W White	Blank No Photocell PA 120-277V Photocell	Blank No Battery EML EM Battery Backup (15-55VDC) EMH EM Battery Backup (50-180VDC)

Choose Your Model Specifications Above:

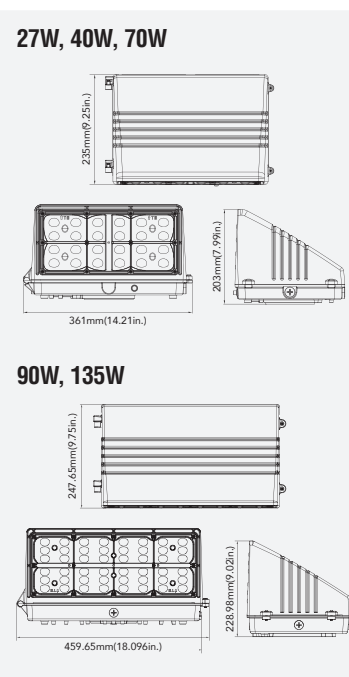
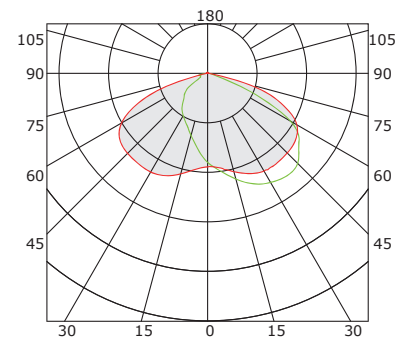
LWPC	90 90W	50 5000K	U 120-277V	D Dark Bronze	PA 120-277V Photocell	EML EM Battery Backup (15-55VDC)
-------------	-----------------	-------------------	---------------------	------------------------	--------------------------------	---

 Example Ordering Number: **LWPC90-50-UD-PA-EML**

PRODUCT DIAGRAMS:

SIZING/MEASUREMENTS:

Model	Length (in)	Height (in)	Width (in)	Weight (lb)
LWPC27	14.21	5.47	7.99	5.80
LWPC40	14.21	5.47	7.99	5.98
LWPC70	14.21	5.47	7.99	6.16
LWPC90	18.10	9.75	9.02	10.47
LWPC135	18.10	9.75	9.02	10.95


PHOTMETRICS:


INSTALLATION GUIDE:

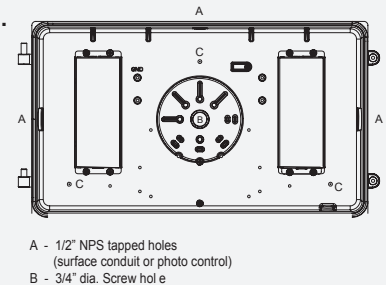
PLEASE READ ALL INSTRUCTIONS BEFORE ATTEMPTING INSTALLATION

- To prevent personal injury or product damage only licensed electricians should install.
- To avoid electric shock or component damage disconnect power before attempting installation or servicing.
- This product must be installed in accordance with the national electric code (NEC) and all applicable federal, state and local electric codes and safety standards.
- Disconnect product and allow cooling prior to servicing.
- Any alteration or modification of this product is expressly forbidden as it may cause serious personal injury, death, property damage and/or product malfunction.
- To prevent product malfunction and/or electrical shock this product must be properly grounded.
- This luminaire is designed to operate in ambient temperatures ranging from -30°C to 40°C and to be horizontally mounted with the LEDs facing down.
- Wall mount only.

Junction Box Mounting (Figure 1.)

1. Loosen screws and remove the front lens set carefully from the back plate.
2. Drill appropriate knockouts (B) for wiring, the fixture supports standard 3 1/4" and 4" Junction box.
3. Attach the back plate on the wall, use the supplied gaskets for a weather tight seal.
4. Finish wiring (Black for Line, White for Neutral and Yellow Green for Ground).
5. Replace the lens set on the hinges, make connections and close the lens set then tighten the screws.

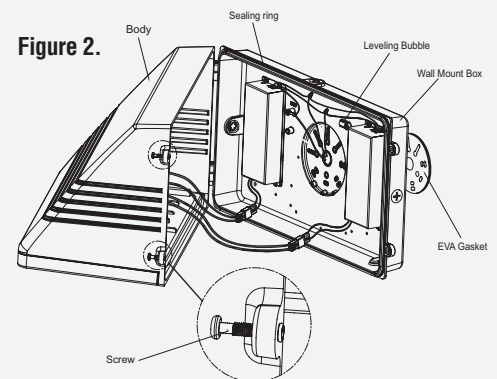
Figure 1.



Conduit Mounting (Figure 2.)

1. Loosen screws and remove the front lens set carefully from the back plate.
2. Remove 1/2" plug from where you intend to feed conduit.
3. Drilling out the holes (C) to secure it on the wall with choosing proper screws.
4. Finish wiring (Black for Line, White for Neutral and Yellow Green for Ground).
5. Replace the lens set on the hinges, make connections and close the lens set then tighten the screws.

Figure 2.

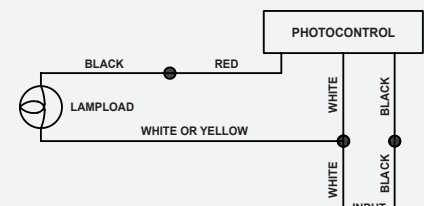


Photocell Installation (Figure 3.)

Universal voltage driver permits operation at 120V to 277VAC, 60 Hz except fixtures factory ordered with a 120V photocell (P1) or 277V photocell (P2) or 347V photocell (P3)

1. Install photocell and wire as per diagram.
2. Use photocell rated for your supply voltage.

Figure 3.



WARRANTY:

 **7 Year**  **75,000-Hours**

The lesser of 7-Years after shipment by Seller, or 75,000-Hours of use.

ARCHIPELAGO will not under any circumstances whether as a result of breach of contract, breach of warranty, tort, strict liability or otherwise be liable for consequential, incidental, special or exemplary damages including but not limited to, loss of profits or revenues, loss of use of the above product or any other goods or associated equipment or damage to any associated equipment, cost of capital, cost of substituted products, facilities of services, downtime cost, or claims of claimant's customers. ARCHIPELAGO's liability on any claim of any kind for any loss or damages arising out of, resulting from or concerning any aspect of this agreement of from the product or services furnished hereunder shall not exceed the price of the specific product or products listed above which gives rise to the claim. This warranty gives the claimant specific legal rights. The claimant may also have other rights, which vary from state to state.

For a complete documentation of ARCHIPELAGO Lighting, Inc. warranty and limitation of liability, please refer to www.archipelagolighting.com.

CERTIFICATIONS:



QUESTIONS?:

Archipelago Lighting, Inc.

4615 State Street, Montclair, CA 91763

www.archipelagolighting.com

sales@archipelagolighting.com

ARCHIPELAGO LIGHTING:

Archipelago Lighting, Inc. manufactures commercial and residential lighting products in USA and China. We are a team of passionate lighting professionals whose goal is to modernize the lighting industry through disruptive LED lighting products. We manufacture a wide variety of products to support the growing adoption of energy efficient LED applications.

