

COMMERCIALPRO SERIES

city<sup>Ⓐ</sup>RCH

LDTD

27W - 70W

LED DUSK TO DAWN

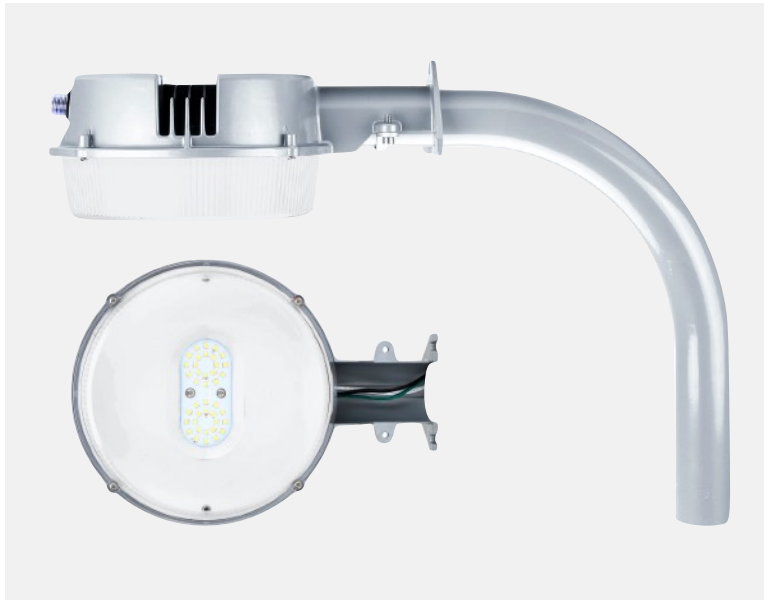
COMMERCIAL GRADE

## PRODUCT OVERVIEW

The city<sup>Ⓐ</sup>RCH LED dusk-to-dawn luminaire optimizes demand for wide area light distribution with high optical performance and energy efficiency while designed to replicate the form factor of a traditional high-pressure sodium or metal halide solution.

Featuring easy-access entry for driver and component maintenance, and a variety of mounting options, this versatile fixture will exceed lighting demands for driveways, outdoor entryways and other general commercial areas.




**PROJECT DETAILS**

Project Name	
Fixture Schedule	
Product Number	
Notes	

**KEY FEATURES**

- Open-Air Passive Heatsink
- Thermally Isolated Driver Design
- Durable Die-Cast Aluminum Housing
- Mounts Directly To Wall Surface Or Masting Arms
- Twist-Lock PhotoCell Included, Standard
- Traditional Barn Light Design
- Replaces Up To 175W MH

**KEY SPECIFICATIONS**

- **Housing:** Durable Die-Cast Aluminum
- **Operating Temp:** -40°F—130°F
- **Input Voltage:** 120-277Vac
- **IP:** UL Wet Location Listed
- **PF:** >0.9 Non-Flicker
- **Efficacy:** 140LM/W
- **Dimming:** 1-10V
- **THD:** <20%
- **CRI:** >70

**MODEL SPECIFICATIONS**

Model	Watt (W)	Lumens (LM)	Voltage (V)	CCT (K)
LDTD27	27W	3,850LM	120-277V	4000K 5000K
LDTD40	40W	5,650LM	120-277V	4000K 5000K
LDTD45	45W	6,400LM	120-277V	4000K 5000K
LDTD70	70W	9,600LM	120-277V	4000K 5000K

**APPLICATIONS**


Municipal Driveways



Perimeter Workarea



Entryways



Wall Wash



General Lighting

**CERTIFICATIONS**

**ORDERING GUIDE**

Model Series	Watt (W)	CCT (K)	Voltage (V)	Finish (y)	Photocell (a)	Mast Arm (b)
<b>LDTD</b>   LED Dusk to Dawn	<b>27</b>   27W <b>40</b>   40W <b>45</b>   45W <b>70</b>   70W	<b>40</b>   4000K <b>50</b>   5000K	<b>U</b>   120-277V	<b>B</b>   Black <b>D</b>   Dark Bronze <b>W</b>   White <b>S</b>   Silver *	<b>Blank</b>   None <b>PU</b>   120-277V *	<b>Blank</b>   None * <b>M1</b>   Mast Arm

\* Default option

Choose Your Model Specifications Above:

<b>LDTD</b>	<b>40</b>	<b>50</b>	<b>U</b>	<b>S</b>	<b>PU</b>	<b>Blank</b>
-------------	-----------	-----------	----------	----------	-----------	--------------

**Example Ordering Number: LDTD40-50-US-PU**

**PHYSICAL FEATURES**
**Lens and Diffuser**

Uniform illumination for driveways, outdoor entry-ways and other general commercial areas.

**Versatile Mounting Arm**

Mounts directly to wall surface or to pole with mounting mast arm (sold separately)


**Photocell**

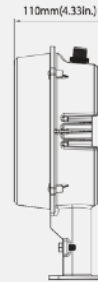
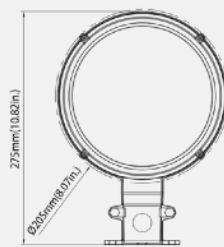
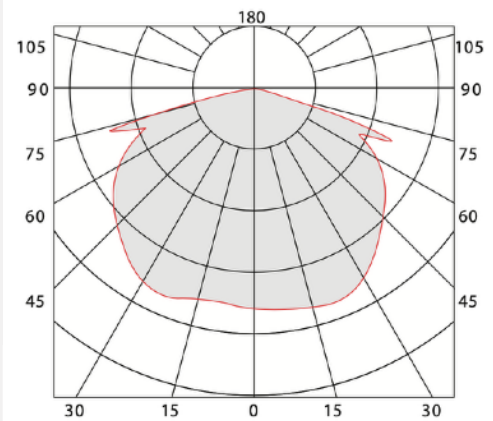
Photocell is included standard for optimal energy consumption and lighting when you need it.


**Easy Maintenance**

Featuring durable, die-cast aluminum housing with polyester powder-coating, the power door is built-in for easy access to electrical components.

**SIZING & MEASUREMENTS**

Model	Length (in)	Width (in)	Weight (lb)
LDTD27	10.82	4.33	2.20
LDTD40	10.82	4.33	2.20
LDTD45	10.82	4.33	2.40
LDTD70	10.82	4.33	2.40


**PHOTOMETRICS**

**ACCESSORIES**

Model	Description
LDTD-M1	Universal Pole Mast Mounting
LDTD-B/D/W	Optional Color Finishes: <b>B</b>   Black <b>D</b>   Dark Bronze <b>W</b>   White



**DLC MODEL GUIDE**

Product ID	Model	Watt	Lumen	Efficacy	THD	PF	CCT	Input Voltage
<b>LDTD27   27W</b>								
PL1N1GE3H8FQ	LDTD27-40-U[S,D,B,W]-[Blank,PS][Blank,0-9 or A-Z or a-z]	27W	3800LM	141LM/W	15	0.9	4000K	120 — 277Vac
PLJJYXHDZ0OY	LDTD27-50-U[S,D,B,W]-[Blank,PS][Blank,0-9 or A-Z or a-z]	27W	3850LM	143LM/W	15	0.9	5000K	120 — 277Vac
<b>LDTD40   40W</b>								
PLFTBQYL1PAD	LDTD40-40-U[S,D,B,W]-[Blank,PS][Blank,0-9 or A-Z or a-z]	40W	5600LM	140LM/W	15	0.9	4000K	120 — 277Vac
PLDVYOA5BL8X	LDTD40-50-U[S,D,B,W]-[Blank,PS][Blank,0-9 or A-Z or a-z]	40W	5650LM	141LM/W	15	0.9	5000K	120 — 277Vac
<b>LDTD45   45W</b>								
PL2TMDDL3Z9N	LDTD45-40-U[D,B,W,SG]-[Blank,PS]	45W	6350LM	141LM/W	15	0.9	4000K	120 — 277Vac
PL1G8BZWVG2W	LDTD45-50-U[D,B,W,SG]-[Blank,PS]	45W	6400LM	142LM/W	15	0.9	5000K	120 — 277Vac
<b>LDTD70   70W</b>								
PL0ENFBFDYYY	LDTD70-40-U[[D,B,W,SG]-[Blank,PS]	70W	9500LM	136LM/W	15	0.9	4000K	120 — 277Vac
PLI40KEZMT7F	LDTD70-50-U[D,B,W,SG]-[Blank,PS]	70W	9600LM	137LM/W	15	0.9	5000K	120 — 277Vac

 Link: [https://www.designlights.org/search/?search=LDTD\\*](https://www.designlights.org/search/?search=LDTD*)



## INSTALLATION GUIDE

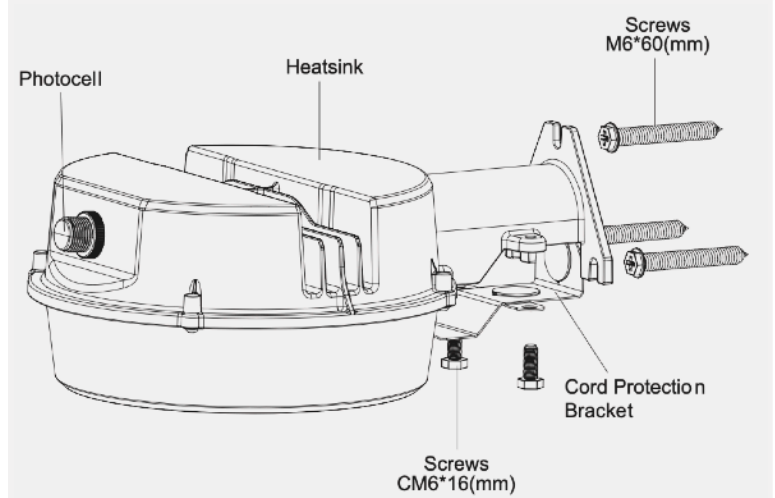
### ▲ PLEASE READ ALL INSTRUCTIONS BEFORE ATTEMPTING INSTALLATION

- Turn power off before inspection, installation or removal.
- The installation should be performed by qualified electricians or lighting technicians.
- Before conducting any installation, maintenance, or removal, disable all power to the luminaries and wait until the fixture cool down.
- Do not touch the fixture while it is in service.
- If there is any problem with the fixture, DO turn off power and DO NOT attempt repair unless you are a qualified technician or a customer service member.
- This luminaire is designed to operate in ambient temperatures ranging from -40°F to +130°F and to be horizontally mounted with the fixture facing down.
- This product is not available for several special environments, such as places with corrosive gas liquids or high pressure water vapor.

### Wall Mounting (Figure 1)

1. Place mounting section of fixture onto desired mounting surface, mark and drill holes for mounting.
2. Mount the fixture with bolts provided. Install the two bottom screws first. Place the fixture on the two bottom screws and install the top screw. Tighten the top screw first and then tighten the remaining screws.
3. Make wiring connections in the fixture. (White to Neutral lead, Black to Line lead, Yellow Green to Ground lead)
4. Put the cord protection bracket back on the fixture and fix it with screws provided.
5. Installation is completed.

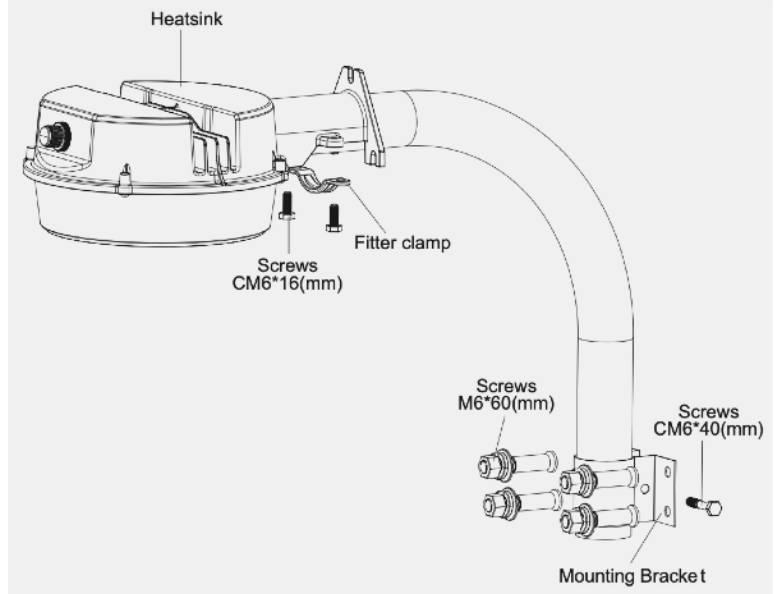
Figure 1



### Mast Arm Mounting (Figure 2)

1. Feed supply wires through arm and make wiring connections. (White to Neutral lead, Black to Line lead, Yellow Green to Ground lead)
2. Secure the fixture on the arm with fitter clamp and screws provided
3. Attach the fixture over the mounting bracket and tighten the set screws
4. Check that fixture is firmly attached to mounting surface
5. Installation is completed.

Figure 2



## WARRANTY

 **7 Year** **75,000-Hours**

The lesser of 7-Years after shipment by Seller, or 75,000-Hours of use.

ARCHIPELAGO will not under any circumstances whether as a result of breach of contract, breach of warranty, tort, strict liability or otherwise be liable for consequential, incidental, special or exemplary damages including but not limited to, loss of pro its or revenues, loss of use of the above product or any other goods or associated equipment or damage to any associated equipment, cost of capital, cost of substituted products, facilities of services, downtime cost, or claims of claimant's customers. ARCHIPELAGO's liability on any claim of any kind for any loss or damages arising out of, resulting from or concerning any aspect of this agreement of from the product or services furnished hereunder shall not exceed the price of the specific product or products listed above which gives rise to the claim. This warranty gives the claimant specific legal rights. The claimant may also have other rights, which vary from state to state.

For a complete documentation of ARCHIPELAGO Lighting, Inc. warranty and limitation of liability, please refer to [www.archipelagolighting.com](http://www.archipelagolighting.com).

## CERTIFICATIONS



## QUESTIONS?

### ARCHIPELAGO LIGHTING, Inc.

#### Headquartered:

4615 State Street, Montclair, CA 91763

#### Production Facility:

7345 Sycamore Canyon Blvd, Riverside, CA 92508

[www.archipelagolighting.com](http://www.archipelagolighting.com)

[sales@archipelagolighting.com](mailto:sales@archipelagolighting.com)

t: (866) 912-3220

f: (909) 627-2887

