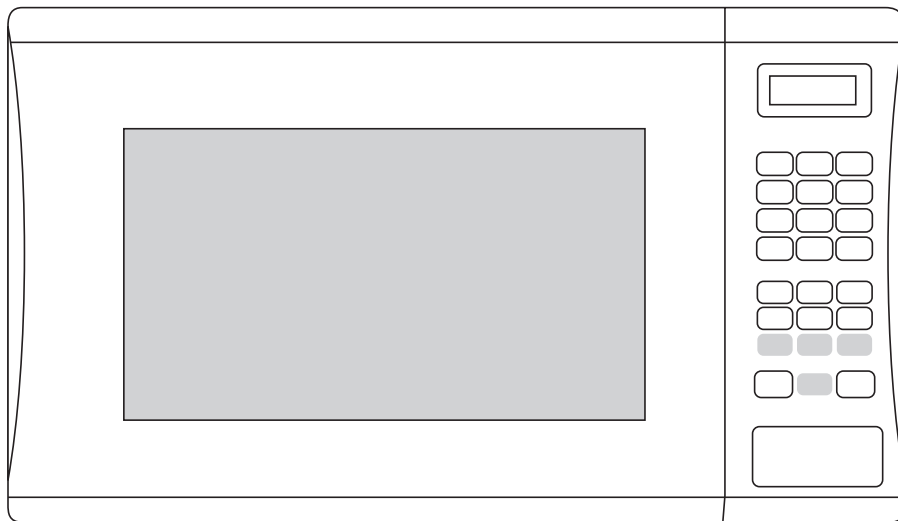




25L MICROWAVE OVEN

INSTRUCTION MANUAL



READ CAREFULLY BEFORE USING
RETAIN MANUAL FOR FUTURE REFERENCE



Read this installation instruction thoroughly.
Incorrect installation or operation may void any warranty.
Incorrect use or operation may cause serious injury.

PRODUCT INTRODUCTION

The Aussie Traveller 25L Microwave oven features 10 power levels and 6 auto cooking settings, making it the ultimate RV appliance for all levels of camping cooking.

The express cooking function makes quick meals easy to prepare when you have arrived at your destination and need to feed the hungry campers. You can also defrost by weight or time with the defrost functions or even do multi-stage cooking where the microwave defrosts then cooks you food.

The 25L Microwave Oven is family friendly in capacity, and with the added benefit of a Child Safety Lock.

READ THESE INSTRUCTIONS CAREFULLY BEFORE USING YOUR MICROWAVE OVEN.

If you follow the instructions, your oven will provide you with many years of good service.

SPECIFICATIONS

MODEL	5600020002000
RATED VOLTAGE	240V~ 50Hz
RATED INPUT POWER (MICROWAVE)	1400–1450W
RATED OUTPUT POWER (MICROWAVE)	900W
OVEN CAPACITY	25L
TURNTABLE DIAMETER	Ø 315mm
DIMENSIONS	513 × 403 × 307mm
NET WEIGHT	Approx. 15.5kg

IMPORTANT SAFETY INSTRUCTIONS WARNING

To reduce the risk of fire, electric shock, injury to persons or exposure to excessive microwave oven energy when using your appliance, follow basic precautions, including the following:

1. Read and follow the specific: '**PRECAUTIONS TO AVOID POSSIBLE EXPOSURE TO EXCESSIVE MICROWAVE ENERGY**'.
2. This appliance can be used by children aged from 8 years and above and persons with reduced physical, sensory or mental capabilities or lack of experience and knowledge if they have been given supervision or instruction concerning use of the appliance in a safe way and understand the hazards involved. Children should not play with the appliance. Cleaning and user maintenance should not be made by children unless they are older than 8 years old and supervised. Children less than 8 years of age shall be kept away unless continuously supervised.
3. Keep the appliance and its cord out of reach of children less than 8 years.
4. If the supply cord is damaged, it must be replaced by the manufacturer, its service agent or similarly qualified persons in order to avoid a hazard. (For appliance with Y attachment.)

1300 663 868 | enquiries@aussietraveller.com.au | aussietraveller.com.au

BRISBANE SHOWROOM: 11-15 Oasis Court, Clontarf QLD 4019 | **MELBOURNE SHOWROOM:** 235 Barry Road, Campbellfield VIC 3061



5. **WARNING:** Ensure that the appliance is switched off before replacing the lamp to avoid the possibility of electric shock.
6. **WARNING:** It is hazardous for anyone other than a competent person to carry out any service or repair operation that involves the removal of the cover which gives protection against exposure to microwave energy.
7. **WARNING:** Liquids and other foods must not be heated in sealed containers since they are liable to explode.
8. When heating food in plastic or paper containers, keep an eye on the oven due to the possibility of ignition.
9. Only use utensils that are suitable for use in microwave ovens.
10. If smoke is emitted, switch off or unplug the appliance and keep the door closed in order to stifle any flames.
11. Microwave heating of beverages can result in delayed eruptive boiling, therefore care must be taken when handling the container.
12. The contents of feeding bottles and baby food jars shall be stirred or shaken and the temperature checked before consumption in order to avoid burns.
13. Eggs in their shell and whole hard-boiled eggs should not be heated in microwave ovens since they may explode, even after the microwave heating has ended.
14. The oven should be cleaned regularly and any food deposits removed.
15. Failure to maintain the oven in a clean condition could lead to deterioration of the surface that could adversely affect the life of the appliance and possibly result in a hazardous situation.
16. The appliance must not be installed in an enclosed area in order to avoid overheating.
17. Only use the temperature probe recommended for this oven. (For ovens provided with a facility to use a temperature-sensing probe.)
18. The appliance must not be placed in a cabinet unless minimum recommended ventilation space is available.
19. This appliance is intended to be used in household and similar applications such as:
 - staff kitchen areas in shops, offices and other working environments;
 - by clients in hotels, motels and other residential type environments;
 - farm houses;
 - bed and breakfast type environments;
 - caravan and recreational vehicle installations.
20. This microwave oven is intended for heating food and beverages. Drying of food or clothing and heating of warming pads, slippers, sponges, damp cloth and similar made lead to risk of injury, ignition or fire.
21. Metallic containers for food and beverages are not allowed during microwave cooking.
22. The appliance shall not be cleaned with steam cleaner.
23. The appliance is intended to be used free-standing.
24. The rear surface of appliance shall be against a wall.
25. It is recommended to remove the glass turntable before travelling, storing it safely and securely to prevent shattering.
26. Do not use the microwave oven as a storage location.

1300 663 868 | enquiries@aussietraveller.com.au | aussietraveller.com.au

BRISBANE SHOWROOM: 11-15 Oasis Court, Clontarf QLD 4019 | MELBOURNE SHOWROOM: 235 Barry Road, Campbellfield VIC 3061



PRECAUTIONS TO AVOID POSSIBLE EXPOSURE TO EXCESSIVE MICROWAVE ENERGY

- a. Do not attempt to operate this oven with the door open since this can result in harmful exposure to microwave energy. It is important not to break or tamper with the safety interlocks.
- b. Do not place any object between the oven front face and the door or allow soil or cleaner residue to accumulate on sealing surfaces.
- c. **WARNING:** If the door or is damaged, the oven must not be operated until it has been repaired by a competent person.

ADDENDUM:

If the apparatus is not maintained in a good state of cleanliness, its surface could be degraded and affect the lifespan of the apparatus and lead to a dangerous situation.

TO REDUCE THE RISK OF INJURY TO PERSONS GROUNDING INSTALLATION

DANGER

Electric Shock Hazard

Touching some of the internal components can cause serious personal injury or death. Do not disassemble this appliance.

WARNING

Electric Shock Hazard

Improper use of the grounding can result in electric shock. Do not plug into an outlet until the appliance is properly installed and grounded.

This appliance must be grounded. In the event of an electrical short circuit, grounding reduces the risk of electric shock by providing an escape wire for the electric current. This appliance is equipped with a cord having a grounding wire with a grounding plug. The plug must be plugged into an outlet that is properly installed and grounded.

Consult a qualified electrician or serviceman if the grounding instructions are not completely understood or if doubt exists as to whether the appliance is properly grounded. If it is necessary to use an extension cord, use only a 3-wire extension cord.

1. A short power-supply cord is provided to reduce the risks resulting from becoming entangled in or tripping over a longer cord.
2. If a long cord set or extension cord is used:
 - The marked electrical rating of the cord set or extension cord should be at least as great as the electrical rating of the appliance.
 - The extension cord must be a grounding-type 3-wire cord.
 - The long cord should be arranged so that it will not drape over the counter top or tabletop where it can be pulled on by children or tripped over unintentionally.
3. It is recommended to have the appliance wired to an electrical circuit with a circuit breaker.

1300 663 868 | enquiries@aussietraveller.com.au | aussietraveller.com.au

BRISBANE SHOWROOM: 11-15 Oasis Court, Clontarf QLD 4019 | MELBOURNE SHOWROOM: 235 Barry Road, Campbellfield VIC 3061

CLEANING

Be sure to unplug the appliance from the power supply.

1. A short power-supply cord is provided to reduce the risks resulting from becoming entangled in or tripping over a longer cord clean the cavity of the oven after using with a slightly damp cloth.
2. Clean the accessories in the usual way in soapy water.
3. The door frame and seal and neighbouring parts must be cleaned carefully with a damp cloth when they are dirty.
4. Do not use harsh abrasive cleaners or sharp metal scrapers to clean the oven door glass since they can scratch the surface, which may result in shattering of the glass.
5. Cleaning tip — For easier cleaning of the cavity walls that the food cooked can touch: Place half a lemon in a bowl, add 300ml (1/2 pint) water and heat on 100% microwave power for 10 minutes. Wipe the oven clean using a soft, dry cloth.

UTENSILS

Personal Injury Hazard

It is hazardous for anyone other than a competent person to carry out any service or repair operation that involves the removal of a cover which gives protection against exposure to microwave energy.

See the instructions on 'Materials you can use in the microwave oven or to be avoided in microwave oven'. There may be certain non-metallic utensils that are not safe to use for microwaving. If in doubt, you can test the utensil in question following the procedure below:

1. Fill a microwave-safe container with 1 cup of cold water (250ml) along with the utensil in question.
2. Cook on maximum power for 1 minute.
3. Carefully feel the utensil. If the empty utensil is warm, do not use it for microwave cooking.

Do not exceed 1 minute cooking time.

MATERIALS YOU CAN USE IN THE MICROWAVE OVEN

UTENSILS	REMARKS
Browning dish	Follow manufacturer's instructions. The bottom of browning dish must be at least 3/16 inch (5mm) above the turntable. Incorrect usage may cause the turntable to break.
Dinnerware	Microwave-safe only. Follow manufacturer's instructions. Do not use cracked or chipped dishes.
Glass jars	Always remove lid. Use only to heat food until just warm. Most glass jars are not heat resistant and may break.
Glassware	Heat-resistant oven glassware only. Make sure there is no metallic trim. Do not use cracked or chipped dishes.
Oven cooking bags	Follow manufacturer's instructions. Do not close with metal tie. Make slits to allow steam to escape.
Paper plates and cups	Use for short-term cooking/warming only. Do not leave oven unattended while cooking
Paper towels	Use to cover food for reheating and absorbing fat. Use with supervision for a short-term cooking only.
Parchment paper	Use as a cover to prevent splattering or a wrap for steaming.
Plastic	Microwave-safe only. Follow the manufacturer's instructions. Should be labeled "Microwave Safe". Some plastic containers soften, as the food inside gets hot. "Boiling bags" and tightly closed plastic bags should be slit, pierced or vented as directed by package.
Plastic wrap	Microwave-safe only. Use to cover food during cooking to retain moisture. Do not allow plastic wrap to touch food.
Thermometers	Microwave-safe only (meat and candy thermometers).
Wax paper	Use as a cover to prevent splattering and retain moisture.

MATERIALS TO BE AVOIDED IN MICROWAVE OVEN

UTENSILS	REMARKS
Aluminium tray	May cause arcing. Transfer food into microwave-safe dish.
Food carton with metal handle	May cause arcing. Transfer food into microwave-safe dish.
Metal or metal-trimmed utensils	Metal shields the food from microwave energy. Metal trim may cause arcing.
Metal twist ties	May cause arcing and could cause a fire in the oven.
Paper bags	May cause a fire in the oven.
Plastic foam	Plastic foam may melt or contaminate the liquid inside when exposed to high temperature.
Wood	Wood will dry out when used in the microwave oven and may split or crack.

1300 663 868 | enquiries@aussietraveller.com.au | aussietraveller.com.au

BRISBANE SHOWROOM: 11-15 Oasis Court, Clontarf QLD 4019 | MELBOURNE SHOWROOM: 235 Barry Road, Campbellfield VIC 3061

SETTING UP YOUR OVEN

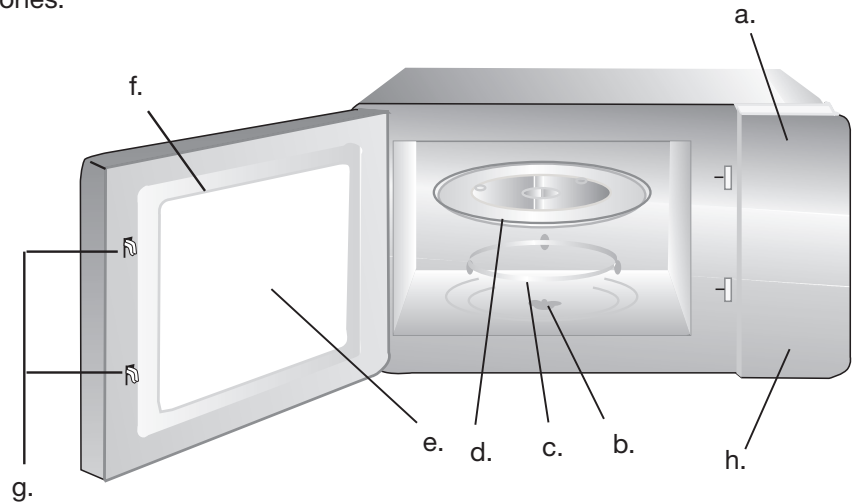
NAMES OF OVEN PARTS AND ACCESSORIES

Remove the oven and all materials from the carton and oven cavity.

Your oven comes with the following accessories:

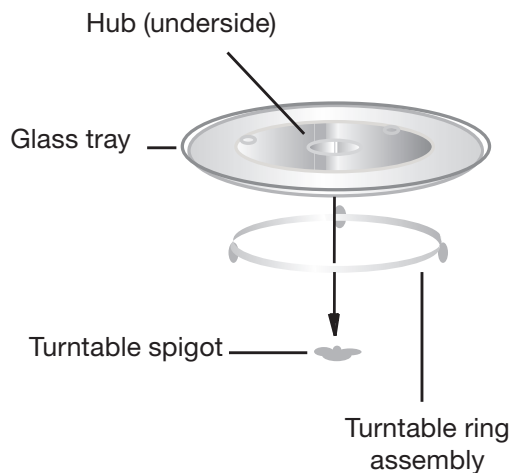
- Glass tray x1
- Turntable ring assembly x1
- Instruction Manual x1

- a. Control panel
- b. Turntable spigot
- c. Turntable ring assembly
- d. Glass tray
- e. Observation window
- f. Door assembly
- g. Safety interlock system
- h. Door open push button & lock



TURNTABLE INSTALLATION

1. Never place the glass tray upside down. The glass tray should never be restricted.
2. Both glass tray and turntable ring assembly must always be used during cooking.
3. All food and containers of food are always placed on the glass tray for cooking.
4. If glass tray or turntable ring assembly cracks or breaks, contact your nearest authorized service centre.



PRIOR TO INSTALLATION

Remove all packing material and accessories.

Examine the oven for any damage such as dents or broken door. Do not install if oven is damaged.

Cabinet: Remove any protective film found on the microwave oven cabinet surface. Do not remove the light brown Mica cover that is attached to the oven cavity to protect the magnetron.

1300 663 868 | enquiries@aussietraveller.com.au | aussietraveller.com.au

BRISBANE SHOWROOM: 11-15 Oasis Court, Clontarf QLD 4019 | MELBOURNE SHOWROOM: 235 Barry Road, Campbellfield VIC 3061

INSTALLATION

STEP 1.

Select a level surface that provide enough open space for the intake and/or outlet vents.

1. The minimum installation height is 85cm.
2. The rear surface of appliance should not be placed directly against a wall. Leave a minimum clearance of 30cm above the oven, a minimum clearance of 20cm is required between the oven and any adjacent walls.
3. Do not remove the legs from the bottom of the oven.
4. Blocking the intake and/or outlet openings can damage the oven.
5. Place the oven as far away from radios and TV as possible. Operation of microwave oven may cause interference to your radio or TV reception.

NOTE: It is recommended that maximum possible ventilation is available.

STEP 2.

Plug your oven into a standard household (240V 3 pin) outlet. Be sure the voltage and the frequency is the same as the voltage and the frequency on the rating label.

The accessible surface may be hot during operation.



WARNING: Do not install oven over a range cooktop or other heat-producing appliance. If installed near or over a heat source, the oven could be damaged and the warranty would be void.

OPERATION

1. POWER LEVEL

11 power levels are available.

LEVEL	10	9	8	7	6	5	4	3	2	1	0
POWER	100%	90%	80%	70%	60%	50%	40%	30%	20%	10%	0%
DISPLAY	PL10	PL9	PL8	PL7	PL6	PL5	PL4	PL3	PL2	PL1	PL0

2. CLOCK SETTING

1. Press '**CLOCK**', '00:00' will display.
2. Press the number keys and enter the current time. For example, time is 12:10 now, please press '1,2,1,0' in turn.
3. Press '**CLOCK**' to finish clock setting. ':' will flash and the clock will be lighted.
4. If the numbers input are not within the range of 1:00–12:59, the setting will be invalid until valid numbers are input.

NOTE:

- In the process of clock setting, if the '**STOP/CANCEL**' button is pressed or if there is no operation within 1 minute, the oven will go back to the former setting automatically.
- If the clock need to be reset, please repeat step 1 to step 3.

1300 663 868 | enquiries@aussietraveller.com.au | aussietraveller.com.au

BRISBANE SHOWROOM: 11-15 Oasis Court, Clontarf QLD 4019 | MELBOURNE SHOWROOM: 235 Barry Road, Campbellfield VIC 3061

3. KITCHEN TIMER

1. Press '**KITCHEN TIMER**', LED will display 00:00, the first hour figure flash.
2. Press the number keys and enter the timer time. (The maximum cooking time is 99 minutes and 99 seconds).
3. Press '**START/+30SEC.**' to confirm setting.
4. When the timer time arrives, the buzzer will ring 5 times. If the clock is set (12-hour system), LED will display the current time.

NOTE:

- The kitchen time is differ from 12-hour system, Kitchen Timer is a timer.
- During kitchen timer, any program cannot be set.

4. MICROWAVE COOK

1. Press '**TIME COOK**' once, LED will display '00:00'.
2. Press number keys to input the cooking time; the maximum cooking time is 99 minutes and 99 seconds.
3. Press '**POWER**' once, LED will display 'PL10'. The default power is 100% power. Now you can press number keys to adjust the power level.
4. Press '**START/+30SEC.**' to start cooking.

EXAMPLE: To cook the food with 50% microwave power for 15 minutes.

- a. Press '**TIME COOK**' once. '00:00' displays.
- b. Press '1, 5, 0, 0' in order.
- c. Press '**POWER**' once, then press '5' to select 50% microwave power.
- d. Press '**START/+30SEC.**' to start cooking.

NOTE:

- In the process of setting, if the '**STOP/CANCEL**' button is pressed or if there is no operation within 1 minute, the oven will go back to the former setting automatically.
- If 'PL0' selected, the oven will work with fan for no power.
- During microwave cooking, '**POWER**' can be pressed to change the power you need. After pressing '**POWER**', the current power flash for 3 seconds, now you can press number button to change the power. The oven will work with the selected power for the rest time.

5. SPEEDY COOKING

1. In waiting state, instant cooking at 100% power level can be started by select a cooking time from 1 to 6 minutes by pressing number pads 1 to 6. Press '**START/+30SEC.**' to increase the cooking time; the maximum cooking time is 99 minutes and 99 seconds.
2. In waiting state, instant cooking at 100% power level with 30 seconds' cooking time can be started by pressing '**START/+30SEC.**' Each press on the same button will increase cooking time by 30 seconds. The maximum cooking time is 99 minutes and 99 seconds..

NOTE:

- During microwave cooking and time defrost,time can be added by pressing '**START/+30SEC.**' button. If the clock need to be reset, please repeat step 1 to step 3.

1300 663 868 | enquiries@aussietraveller.com.au | aussietraveller.com.au

BRISBANE SHOWROOM: 11-15 Oasis Court, Clontarf QLD 4019 | MELBOURNE SHOWROOM: 235 Barry Road, Campbellfield VIC 3061

6. WEIGHT DEFROST FUNCTION

1. Press '**WEIGHT DEFROST**', LED will display 'dEF1'.
2. Press numerical buttons to input weight to be defrosted.
Input the weight ranged between 100–2000g.
3. If the weight input is not within 100–2000g, the input will be invalid.

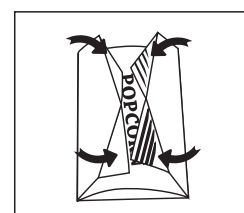
Press '**START/+30SEC.**' to start defrosting and the cooking time remained will be displayed.

7. TIME DEFROST FUNCTION

1. Press '**TIME DEFROST**', LED will display 'dEF2'.
2. Press number pads to input defrosting time. The effective time range is 00:01–99:99
3. The default microwave power is power level 3. If you want to change the power level, press '**POWER**' once, and the LED will display 'PL 3', then press the number pad of the power level you wanted.
4. Press '**START/+30SEC.**' to start defrosting. The remained cooking time will be displayed.

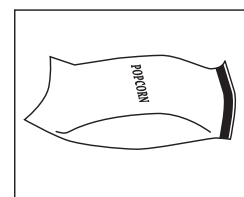
8. POPCORN

1. Press '**POPCORN**' repeatedly until the number you wish appears in the display, "50", "100" g will display in order.
For example, press '**POPCORN**' once, '50' appears.
2. Press '**START/+30 SEC.**' to cook, buzzer sounds once. When cooking finish, buzzer sounds five times and then turn back to waiting state.



IMPORTANT INFORMATION ABOUT MICROWAVE POPCORN FEATURE:

1. When selecting 100 g of popcorn, it is suggested that you fold down a triangle on each corner of the bag before cooking. Refer to the picture at right.
2. If/When the popcorn bag expands and no longer rotates properly, please press **STOP/CANCEL** button once and open the oven door and adjust the bag position to ensure even cooking.



9. POTATO

1. Press '**POTATO**' repeatedly until the number you wish appears in the display, '1, 2, 3' will display in order.
'1' SET : 1 potato (approximate 230 gram)
'2' SETS: 2 potatoes (approximate 460 gram)
'3' SETS: 3 potatoes (approximate 690 gram)
For example, press '**POTATO**' once , '1' appears.
2. Press '**START/+30 SEC.**' to cook, buzzer sounds once. When cooking finish, buzzer sounds five times and then turn back to waiting state.

10. FROZEN VEGETABLE

1. Press '**FROZEN VEGETABLE**' repeatedly until the number you wish appears in the display, '150, 350, 500' g will display in order.
For example, press '**FROZEN VEGETABLE**' once , '150' appears.
2. Press '**START/+30 SEC.**' to cook, buzzer sounds once. When cooking finish, buzzer sounds five times and then turn back to waiting state.

11. BEVERAGE

1. Press '**BEVERAGE**' repeatedly until the number you wish appears in the display, '1", 2, 3' cup will display in order. One cup is about 120ml. For example, press '**BEVERAGE**' once , '1' appears.
2. Press '**START/+30 SEC.**' to cook, buzzer sounds once. When cooking finish, buzzer sounds five times and then turn back to waiting state.

1300 663 868 | enquiries@aussietraveller.com.au | aussietraveller.com.au

BRISBANE SHOWROOM: 11-15 Oasis Court, Clontarf QLD 4019 | MELBOURNE SHOWROOM: 235 Barry Road, Campbellfield VIC 3061

12. DINNER PLATE

1. Press '**DINNER PLATE**' repeatedly until the number you wish appears in the display, '250, 350, 500' g will display in order.
For example, press '**DINNER PLATE**' once , '250' appears.

Press '**START/+30 SEC.**' to cook, buzzer sounds once. When cooking finish, buzzer sounds five times and then turn back to waiting state.

13. PIZZA

1. Press '**PIZZA**' repeatedly until the number you wish appears in the display, '100, 200, 400' g will display in order.
For example, press '**PIZZA**' once , '100' appears.
2. Press '**START/+30 SEC.**' to cook, buzzer sounds once. When cooking finish, buzzer sounds five times and then turn back to waiting state.

14. MEMORY FUNCTION

1. Press '**0/MEMORY**' to choose memory 1–3 procedure. The LED will display '1, 2, 3'.
2. If the procedure has been set, press '**START/ +30 SEC.**' to use it. If not, continue to set the procedure. Only one or two stages can be set.
3. After finishing the setting, press '**START/ +30 SEC.**' once to save the procedure and turn back to the waiting states. If press '**START/ +30 SEC.**' again, it will start cooking.

EXAMPLE: To set the following procedure as the second memory, that is memory 2. To cook the food with 80% microwave power for 3 minutes and 20 seconds.

The steps are as follow:

- a. In waiting states, press '**0/MEMORY**' twice, stop pressing until the screen displays '2'.
- b. Press '**TIME COOK**' once, then press '3, 2, 0' in order.
- c. Press '**POWER**' once, 'PL10' display, then press '8' and 'PL8' displays.
- d. Press '**START/ +30 SEC.**' to save the setting. Buzzer sounds once then turn back to waiting states. If you press '**START/+30SEC.**' twice after step c, the procedure will be saved as the memory 2 and operated.
- e. If the electricity is not cut off, the procedure will be saved all the time. If it is, the procedure needs to reset.
- f. If you want to run the saved procedure, in waiting states, press '**0/MEMORY**' twice, screen displays '2', then press '**START/+30SEC.**' to run.

15. MULTI-STAGE COOKING

At most 2 stages can be set for cooking. In multi-stage cooking, if one stage is defrosting, then defrosting shall be placed at the first stage automatically.

NOTE: Auto cooking cannot work in the multi-stage cooking.

EXAMPLE: If you want to cook with 80% microwave power for 5 minutes + 60% microwave power for 10 minutes. The cooking steps are as following:

1. Press '**TIME COOK**' once, then press '5, 0, 0' to set the cooking time;
2. Press '**POWER**' once, then press '8' to select 80% microwave power.
3. Press '**TIME COOK**' once, then press '1, 0, 0, 0' to set the cooking time;
4. Press '**POWER**' once, then press '6' to select 60% microwave power.
5. Press '**START/ +30 SEC.**' to start cooking.

1300 663 868 | enquiries@aussietraveller.com.au | aussietraveller.com.au

BRISBANE SHOWROOM: 11-15 Oasis Court, Clontarf QLD 4019 | MELBOURNE SHOWROOM: 235 Barry Road, Campbellfield VIC 3061

16. INQUIRING FUNCTION

1. In cooking state, press '**CLOCK**', the LED will display clock for three seconds.
2. In the microwave cooking state, press '**POWER**' to inquire microwave power level, and the current microwave power will be displayed. After three seconds, the oven will turn back to the previous state. In multi-stage state, the inquiring way can be done by the same way as above.

17. LOCK FUNCTION FOR CHILDREN

LOCK: In waiting state, press '**STOP/CANCEL**' for 3 seconds, there will be a long 'beep' denoting the entering into the children-lock state; meanwhile, LED will display ' [_ _ _] '

LOCK QUITTING: In locked state, press '**STOP/CANCE**' for 3 seconds, there will be a long 'beep' denoting that lock is released.

18. COOKING END REMINDER FUNCTION

When the cooking is over, the buzzer will sound 5 'beep' to alert user the cooking is finished.

19. OTHER SPECIFICATIONS

1. In standby state, if the set clock digital tube displays current time, the icon ' : ' would flash; otherwise, it shows '0:00'.
2. In setting function state, LED displays corresponding setting.
3. In working or pause state, LED displays surplus cooking time.

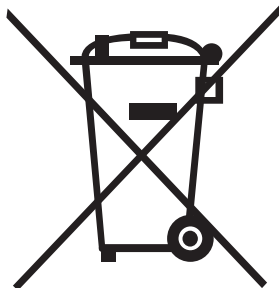
1300 663 868 | enquiries@aussietraveller.com.au | aussietraveller.com.au

BRISBANE SHOWROOM: 11-15 Oasis Court, Clontarf QLD 4019 | MELBOURNE SHOWROOM: 235 Barry Road, Campbellfield VIC 3061

TROUBLESHOOTING

NORMAL	
Microwave oven interfering with TV reception	Radio and TV reception may be interfered when microwave oven is operating. It is similar to the interference of small electrical appliances, like mixer, vacuum cleaner, and electric fans. It is normal.
Dim oven light	in low power microwave cooking, oven light may become dim. It is normal.
Steam accumulating on door, hot air out of vents	In cooking, steam may come out of food. Most will get out from vents. But some may accumulate on cool places like the oven door. It is normal.
Oven started accidentally with no food in	It is forbidden to run the unit without any food inside. It is very dangerous.

TROUBLE	POSSIBLE CAUSE	REMEDY
Oven can not be started	Power cord not plugged in tightly.	Unplug, then plug in again after 10 seconds.
	Fuse blowing or circuit breaker works.	Replace fuse or reset circuit breaker (repaired by professional personnel of our company).
	Trouble with outlet.	Test outlet with other appliances.
Oven does not heat	Door not closed well.	Close door properly.



According to Waste of Electrical and Electronic Equipment (WEEE) directive, WEEE should be separately collected and treated. If at any time in future you need to dispose of this product please do NOT dispose of this product with household waste. Please send this product to WEEE collecting points where available.



1300 663 868 | enquiries@aussietraveller.com.au | aussietraveller.com.au

BRISBANE SHOWROOM: 11-15 Oasis Court, Clontarf QLD 4019 | MELBOURNE SHOWROOM: 235 Barry Road, Campbellfield VIC 3061

WARRANTY STATEMENT

Aussie Traveller Pty Ltd ACN 642 775 460 (**Aussie Traveller**) offers the following warranty in relation to the products it supplies directly or through an authorised manufacturer, dealer or approved service repair agent (**Product**).

Australian Consumer Law

The benefits of this warranty are in addition to any rights and remedies imposed by Australian State and Federal legislation that cannot be excluded. Nothing in this warranty is to be interpreted as excluding, restricting or modifying any State or Federal legislation applicable to the supply of goods and services which cannot be excluded, restricted or modified.

If you are a consumer as defined in the Australian Consumer Law: *Our goods come with guarantees that cannot be excluded under the Australian Consumer Law. You are entitled to a replacement or refund for a major failure and compensation for any other reasonably foreseeable loss or damage. You are also entitled to have the goods repaired or replaced if the goods fail to be of acceptable quality and the failure does not amount to a major failure.*

Warranty

Aussie Traveller warrants that, subject to the exclusions and limitations below, all parts of the manufacture and assembly of the Product will be free from defects in materials and workmanship (**Warranty**) for a period of 12 months from the date of purchase as follows:

1. This Warranty is activated at the time of purchase by the final retail customer (being the owner of the Product).
2. In the event the Product is purchased by a manufacturer, dealer or approved service repair agent, this Warranty will commence at the time the final retail customer makes payment for the Product to the wholesale purchaser.
3. If the Product is purchased directly from Aussie Traveller for use by final retail customer and not to be on sold in any way, the Warranty will commence at the time of the original purchase.

Warranty Period

This Warranty cannot be assigned or transferred to a subsequent owner of the Product.

The purchaser or final retail customer should inspect the Product immediately when received or at vehicle handover, to ensure that it appears free from any damage or defect, and matches the description provided.

If after accepting the Product, a defect appears in the manufacture or assembly of the Product before the end of the Warranty Period and Aussie Traveller finds the Product to be defective in materials or workmanship, Aussie Traveller will, in its sole discretion, either:

- a. replace, repair or refund the Product or the defective part of the Product free of charge; or
- b. cause the Product or the defective part of the Product to be replaced or repaired by a qualified repairer free of charge.

In arranging Warranty inspection, service and repair, Aussie Traveller will seek to provide the details of an approved service agent within your geographic area. Should one not be available, or if the Product is in use in travel, Aussie Traveller reserves the right to seek to arrange a repair or replacement at the next available location on the route of travel.

Aussie Traveller reserves the right to replace defective parts of the Product with parts and components of similar quality, grade and composition where an identical part or component is not available.

Products presented for repair may be replaced by refurbished goods of the same type rather than being repaired. Refurbished parts may be used to repair the Product.

Aussie Traveller Awning Products

This Warranty covers specified defects in materials or workmanship for Awning Products as follows:

1. The vinyl fabric is warranted against:
 - a. holes caused by mildew (mildew will form on dust and dirt and stain fabric if fabric is not kept clean).
 - b. excessive cracking, peeling, hardening or loss of strength while used under normal conditions.
 - c. excessive fading (a slight colour change may occur due to ultraviolet rays).
2. All hardware components including the roller are warranted not to bend or break under normal use (excluding high winds, water pooling and accidents).

Making a Warranty Claim

If a defect covered by this Warranty appears, the Customer must first contact Aussie Traveller within 7 days of first becoming aware of the defect. Aussie Traveller will assist the Customer to rectify and resolve any Product issue that may arise.

When making a claim under this Warranty, Aussie Traveller requires that the following information be provided before any further action will be taken.

1. Original Invoice (Document or Number);
2. Make and model of the Product;
3. Make and model of the vehicle (if Product fitted);
4. Vehicle build date (if Product fitted);
5. Vehicle chassis number;

6. Description of damage and/or repair required;
7. Photos of the damage and/or repair; and
8. Appropriate documentation (such as historical and maintenance records).

Aussie Traveller reserves the right to request more information or images should what is provided not be sufficient to make an assessment for the Warranty claim.

The Product must be made available to Aussie Traveller or its authorised repair agent for inspection and testing. If such inspection and testing find no defect in the Product, the final retail customer must pay Aussie Traveller's usual costs of service work and testing.

The final retail customer must bear the cost of the transport of the Product to and from Aussie Traveller or the authorised repair agent, and all insurance of the Product.

Exclusions

This Warranty will not apply where:

- the Product has been repaired, altered or modified by someone other than Aussie Traveller, or without the written consent of Aussie Traveller or an authorised repair agent;
- the alleged defect in the Product is within acceptable industry tolerances and variances;
- Aussie Traveller cannot establish any fault in the Product after testing and inspection;
- the Product has been used other than for the purpose for which it was designed;
- the alleged defect in the Product has arisen due to the final retail customer's failure to properly use and
- maintain the Product in accordance with any of Aussie Traveller's instructions, recommendations and specifications (including applicable maintenance schedules);
- the alleged defect in the Product has arisen due to the final retail customer's request to customise the Product;
- the Product has been subject to abnormal conditions, including environment, temperature, high or excessive wind, water, fire, humidity, pressure, stress or similar;
- the alleged defect has arisen due to abuse, misuse, neglect or accident;
- unauthorised parts or accessories have been used on or in relation to the Product;
- the Product has been overloaded or involved in an accident;
- the alleged damage or defect has been caused by normal wear and tear;
- the alleged damage to fabric has been caused by storm, wind or rain, or stretching of fabric caused by water pooling on fabric;
- breakage or bending of hardware components has been caused by storm, wind or rain, or water pooling on fabric.

Replacement Warranty Item

If, under Warranty, a Product is replaced or repaired by Aussie Traveller or an Aussie Traveller agent, unless provided in writing to indicate otherwise, the replacement Product will carry the **remaining** Warranty terms and conditions, including length of time, of the original purchased Product.

Change of Mind

Aussie Traveller understands that at times, final retail customers may change their mind. Choose carefully as return and credit requests for items purchased by mistake or "change of mind" reasons may not be approved. Aussie Traveller will not accept Product returns under these circumstances unless by written approval by an authorized Aussie Traveller representative. If approved, an administration and restocking fee may apply.

Limitations

Aussie Traveller makes no express warranties or representations other than set out in this Warranty.

The repair or replacement of the Product or part of the Product is the absolute limit of Aussie Traveller's liability under this express Warranty.

Contact

Australia Wide: 1300 663 868

Melbourne Office
 235 Barry Road
 Campbellfield, Melbourne, 3061
 Ph: +61 3 9357 6565
 enquiries@aussietraveller.com.au

Brisbane Head Office, Factory & Showroom
 11-15 Oasis Court
 Clontarf, Brisbane, 4019
 Ph: +61 7 3284 3284
 enquiries@aussietraveller.com.au

To receive a copy of the Aussie Traveller Warranty Terms & Conditions or information regarding specific Aussie Traveller products, please contact Aussie Traveller Head Office on (07) 3284 3284 or email enquiries@aussietraveller.com.au.