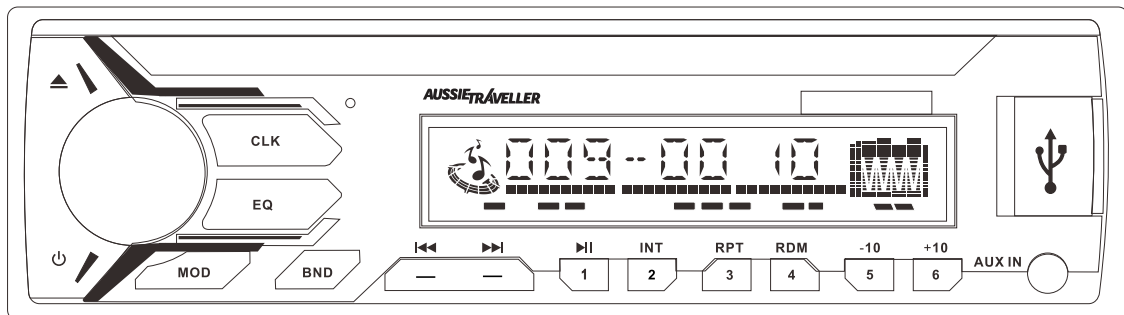




SINGLE DIN DVD AUDIO HEAD UNIT

USER MANUAL



READ CAREFULLY BEFORE USING
RETAIN MANUAL FOR FUTURE REFERENCE

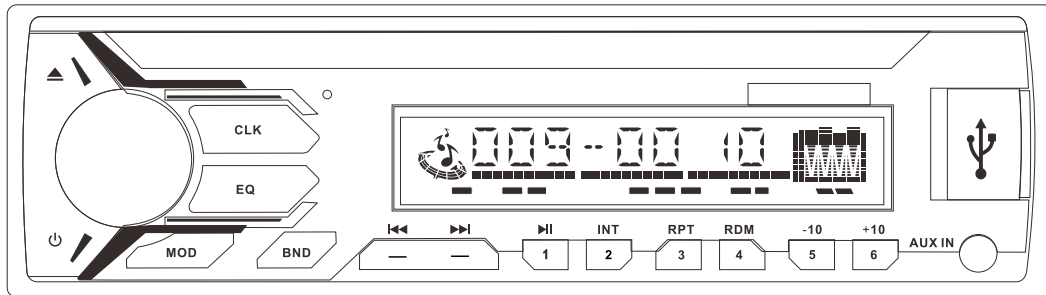


Read this installation instruction thoroughly.
Incorrect installation or operation may void any warranty.
Incorrect use or operation may cause serious injury.

PRODUCT INTRODUCTION

Add music to the entertainment list on your next trip away with the Aussie Traveller Single DIN DVD Head Unit. Featuring a LCD screen, Bluetooth, AUX and USB connectivity as well as AM/FM radio, it is easy to start the music playing in your campsite.

Single DIN is the standard size for car/RV stereos. Standard DIN slots measure 180x50mm (2-1/8 inchx7-1/8 inch.)



OPERATION

1. BASIC OPERATIONS:

1.1 ▲

Press to insert and eject the disk.

1.2 PWR (POWER)

Press to power on the unit.
Press again to power off.

1.3 CLK (CLOCK)

Press to show the present time.
Hold to adjust the hour, rotate the volume knob to adjust. Press to adjust the minute, and rotate volume knob to adjust. Press CLK again to confirm the setting.

1.4 EQ (EQUALISER)

Press to select from ROCK > POP > CLASS > FLAT > EQ OFF.

1.5 MODE

Press to change the mode: RADIO > DISC > USB > SD/TF > BT > AUX 1 > AUX 2 (if all functions are available).

1.6 BND (BAND)

In radio mode:

Press to change between FM1 > FM2 > FM3 > AM1 > AM2.

Hold to scan stations and store the stations into No. buttons automatically. Press again to stop the scan and store process.

In music mode:

Press to display the music information.

Hold for song selection function: rotate the VOL. knob to select songs, press VOL. knob to display.

1300 663 868 | enquiries@aussietraveller.com.au | aussietraveller.com.au

BRISBANE SHOWROOM: 11-15 Oasis Court, Clontarf QLD 4019 | MELBOURNE SHOWROOM: 235 Barry Road, Campbellfield VIC 3061

OPERATION (cont.)

1.7 VOLUME / SELECT KNOB

Turn the volume knob clockwise to turn up the volume, turn the volume knob counter-clockwise to turn down the volume.

Repeatedly press to select VOL > Bass (+/-7) > Treble (+/-7) > Balance (L/R 7) > Fader (R/F 7) > LOUD > EQ > DX (LOC) > STEREO (MONO) > VOL, rotate the volume knob to adjust the setting. The DX (LOC), STEREO (MONO) are adjusted under radio mode.

EQ: when the LCD display EQ, selected the EQ as following: Rock > Pop > Class > Flat > Off by rotating the volume knob.

LOUD: when the LCD display LOUD, turning on/off LOUD by rotating the volume knob.

Hold the Vol. Knob for setting the time at 12/24 displaying.

1.8 ⏮

In radio mode:

Press to automatically search the radio stations backwards.

Hold to switch from AUTO to MANUAL search backward.

Press to manually search stations backwards.

In music mode:

Press to skip to the previous song.

Hold to rewind.

1.9 ⏭

In radio mode:

Press to automatically search the radio stations forwards.

Hold to switch from AUTO to MANUAL search forward.

Press to manually search stations forwards.

In music mode:

Press to skip to the next song.

Hold to fast-forward.

1.10 1 / ⏸

In radio mode:

Press to display the stored station, hold to save the present station to this button.

In music mode:

Press to pause and press again to resume playing music.

Hold to switch the Audio/Video/Image file displaying at USB & Mini SD mode.

1.11 2 / INT

In radio mode:

Press to display the stored station, hold to save the present station to this button.

In music mode:

Press to display songs on LCD screen, each song displays for 10 seconds. Press again to select the displayed song.

1.12 3 / RPT (REPEAT)

In radio mode:

Press to display the stored station, press to save the present station to this button.

In music mode:

Press to repeat the song again. Press again to release from repeat function.

1300 663 868 | enquiries@aussietraveller.com.au | aussietraveller.com.au

BRISBANE SHOWROOM: 11-15 Oasis Court, Clontarf QLD 4019 | MELBOURNE SHOWROOM: 235 Barry Road, Campbellfield VIC 3061

OPERATION (cont.)

1.134 / RDM (RANDOM)

In radio mode:

Press to display the stored station, press to save the present station to this button.

In music mode:

Press to have the songs play at random. Press again to stop randomisation.

1.145 / -10

In radio mode:

Press to display the stored station, press to save the present station to this button.

In music mode:

Press to skip backwards, 10 songs at a time. Hold to read last folder from mp3 folders.

1.156 / +10

In radio mode:

Short press to display the stored station, long press to save the present station to this button.

In music mode:

Press to skip forwards, 10 songs at a time. Hold to read the next folder from mp3 folders.

1.16 MICRO SD CARD

Insert the Micro SD card, the system will display accordingly.

1.17

Insert the USB, the system will display accordingly.

1.18 AUX IN

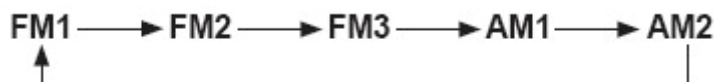
Outer signal input socket.

2. RADIO OPERATION:

2.1 PRESET STATIONS

You can choose to save radio stations as presets. Each band allows for 6 stations — FM1, FM2, FM3, AM1, and AM2.

Repeatedly press the BND button, you will see the following:



Hold the **▶▶** button or **◀◀** button, to scan the stations manually;

Press the **▶▶** or **◀◀** button, to scan the stations automatically. After you scan the station, long press your desired number button (No. 1–6) to store the station to the chosen number button.

NOTE: If you stored another station in the same number button, the station you stored before will be overwritten.

2.2 PLAY PRESET STATIONS

Repeatedly press the BND button to choose the band as you want.

Press the No. button 1–6 to play the stations you stored.

NOTE: If you cannot play the preset stations, you can repeatedly hold the **◀◀** button or **▶▶** button, it will scan the stations automatically.

1300 663 868 | enquiries@aussietraveller.com.au | aussietraveller.com.au

BRISBANE SHOWROOM: 11-15 Oasis Court, Clontarf QLD 4019 | MELBOURNE SHOWROOM: 235 Barry Road, Campbellfield VIC 3061

OPERATION (cont.)

3. MP3 PLAY OPERATION:

- 3.1 The system will start to play any time when you insert the USB/Micro SD card. When it displays the USB, the icon of USB blinks. When it displays the micro SD card, the icon of SD blinks.
- 3.2 Press the button **⏮** or **⏭** button to play the next/last song; hold to fast-forward/rewind.
- 3.3 Press the 1 button to pause, press it again to resume.
- 3.4 Press the 2 button to display the songs on the LCD screen, the unit will display the songs for 10 seconds.
- 3.5 Press the 3 button to turn on or release repeat function.
- 3.6 Press the 4 button to turn on or release random function.
- 3.7 Press to skip backwards, 10 songs at a time. Hold to read last folder from mp3 folders.
- 3.8 Press to skip forwards, 10 songs at a time. Hold to read the next folder from mp3 folders.

4. DVD OPERATION:

NOTE: DVD and CD compatible.

- 4.1 The system will start to play any time when you insert the DVD. Insert DVD with label facing up.
- 4.2 Press the button **⏮** or **⏭** button to play the next/last chapter; hold to fast-forward/rewind.
- 4.3 Press the 1 button to pause, press it again to resume.
- 4.4 Press the 2 button - no action in DVD mode.
- 4.5 Press the 3 button to choose RPT CHP (Chapter)/TIT (Title)/ALL.
- 4.6 Press the 4 button to turn RDM ON/OFF.
- 4.7 Press to skip backwards, 10 videos at a time. Hold to read last folder from mp3 folders.
- 4.8 Press to skip forwards, 10 videos at a time. Hold to read the next folder from mp3 folders.

5. CLOCK OPERATION:

Press to show the present time.

Hold to enter into hour adjustment, rotate the volume knob to adjust.

Press again to adjust minute, rotate the volume knob to adjust.

6. BLUETOOTH OPERATION:

Before you can use a Bluetooth device, it must be paired and connected.

Make sure Bluetooth is activated on your device before you begin the pairing process.

- 6.1 Repeatedly press the Mode button until you see BT.
- 6.2 On your connecting device, open Bluetooth setting and search for ATRV BT+ and select it.
- 6.3 On your device, allow to pair with ATRV BT+ (no code needed).
- 6.4 When paired, PHONE appears on the head unit screen.
- 6.5 You can select the music from your device to display, and BTAUDIO appears on the unit screen.

1300 663 868 | enquiries@aussietraveller.com.au | aussietraveller.com.au

BRISBANE SHOWROOM: 11-15 Oasis Court, Clontarf QLD 4019 | MELBOURNE SHOWROOM: 235 Barry Road, Campbellfield VIC 3061

TECHNICAL PARAMETERS

TUNER SECTION	
AM Frequency Range	522KHz–1710KHz
Intermediate Frequency	450KHz
FM Frequency Range	87.5MHz–108MHz
Intermediate Frequency	10.7MHz
Signal to Noise Ratio (S/N)	≥50dB
PLAY SECTION	
Signal to Noise Ratio (S/N)	≥50dB
Channel Separation (1KHz)	≥50dB
Voltage Harmonic Distortion	≤5%
Frequency Response	100Hz–10KHz (+6dB)
AMPLIFIER SECTION	
Output	Speaker output
Speaker Impedence	4Ω–8Ω
Power Source	12V DC (Negative pole connect to ground, see on the unit in detail)
DEVICE SPECIFICATIONS	
Dimensions (L×W×H)	180 × 180 × 50mm
Weight	2kg

CAUTION

When replacing fuse, please select the fuse of same specification, do not replace it with others.

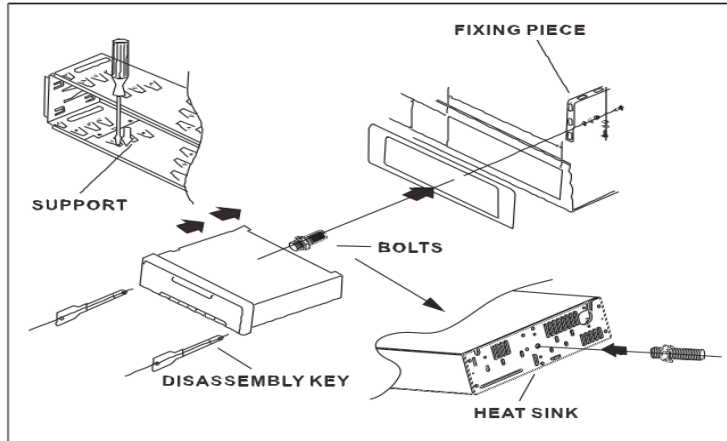
1300 663 868 | enquiries@aussietraveller.com.au | aussietraveller.com.au

BRISBANE SHOWROOM: 11-15 Oasis Court, Clontarf QLD 4019 | MELBOURNE SHOWROOM: 235 Barry Road, Campbellfield VIC 3061

INSTALLATION

1. INSTALLATION DIAGRAM:

- Before installing the main unit, please place the main unit at desired position, connect the speaker wire and power wire for test use.
- After testing the main unit and confirming it is in working condition, fix the main unit.



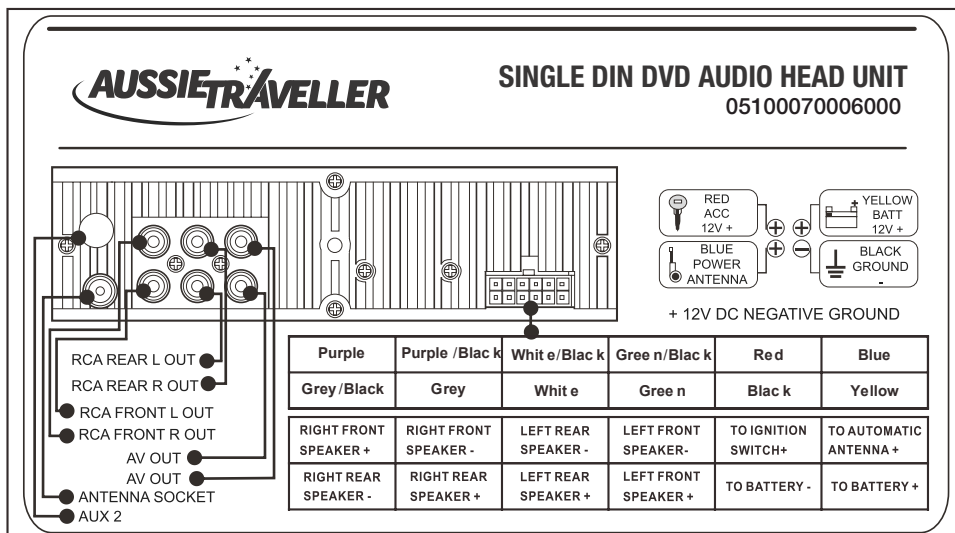
2. INSTALL THE MAIN UNIT:

- Install the support cradle in the panel, bend the clamp of the support.
- Connect the power wire and speaker wire, fix the fixing piece to the RV.
- Insert the antenna plug, push the main unit into the support cradle.

3. DISASSEMBLE THE MAIN UNIT:

Insert two disassembly keys into the left and right gap, make sure the keys hook the main unit, pull to remove the main unit from the cradle, then disassemble the connection wire and unplug the antenna plug.

4. WIRING DIAGRAM



1300 663 868 | enquiries@aussietraveller.com.au | aussietraveller.com.au

BRISBANE SHOWROOM: 11-15 Oasis Court, Clontarf QLD 4019 | MELBOURNE SHOWROOM: 235 Barry Road, Campbellfield VIC 3061

INSTALLATION (cont.)

5. FADER FUNCTION:

Fader allows you to control the sound either inside or outside the van. When installing the head unit, ensure you wire the correct speakers front and rear, to control inside and outside.

Eg: All wired 'rear' speakers will be outside, all speakers wired to 'front' will be inside.

1300 663 868 | enquiries@aussietraveller.com.au | aussietraveller.com.au

BRISBANE SHOWROOM: 11-15 Oasis Court, Clontarf QLD 4019 | MELBOURNE SHOWROOM: 235 Barry Road, Campbellfield VIC 3061

TROUBLESHOOTING

FAULT	REASON	SOLUTION
LCD doesn't display	Yellow wire is not connected with battery + (positive)	Ensure yellow wire is connected with battery + (positive)
	Fuse of red wire is open	Replace fuse
	The panel connector is dirty	Clean the panel
No sound	No power supply	Connect the power wire
	Speaker wire is open circuit	Connect speaker wire
	SD card doesn't have song with corresponding format	Check the contents of SD card
Low sound (not clear)	Power internal resistance is high	Replace power supply
	Antenna is not connected correctly	Check the antenna plug
Mono track	One channel of the speaker wire is open circuit	Check the speaker wire
	Amplifier integrated circuit is damaged	Replace the IC of amplifier
System down	Power supplier not stable	Long press reset button

NOTE: Technical data is subject to change without prior notice.

1300 663 868 | enquiries@aussietraveller.com.au | aussietraveller.com.au

BRISBANE SHOWROOM: 11-15 Oasis Court, Clontarf QLD 4019 | MELBOURNE SHOWROOM: 235 Barry Road, Campbellfield VIC 3061

WARRANTY STATEMENT

Aussie Traveller Pty Ltd ACN 642 775 460 (**Aussie Traveller**) offers the following warranty in relation to the products it supplies directly or through an authorised manufacturer, dealer or approved service repair agent (**Product**).

Australian Consumer Law

The benefits of this warranty are in addition to any rights and remedies imposed by Australian State and Federal legislation that cannot be excluded. Nothing in this warranty is to be interpreted as excluding, restricting or modifying any State or Federal legislation applicable to the supply of goods and services which cannot be excluded, restricted or modified.

If you are a consumer as defined in the Australian Consumer Law: *Our goods come with guarantees that cannot be excluded under the Australian Consumer Law. You are entitled to a replacement or refund for a major failure and compensation for any other reasonably foreseeable loss or damage. You are also entitled to have the goods repaired or replaced if the goods fail to be of acceptable quality and the failure does not amount to a major failure.*

Warranty

Aussie Traveller warrants that, subject to the exclusions and limitations below, all parts of the manufacture and assembly of the Product will be free from defects in materials and workmanship (**Warranty**) for a period of 12 months from the date of purchase as follows:

1. This Warranty is activated at the time of purchase by the final retail customer (being the owner of the Product).
2. In the event the Product is purchased by a manufacturer, dealer or approved service repair agent, this Warranty will commence at the time the final retail customer makes payment for the Product to the wholesale purchaser.
3. If the Product is purchased directly from Aussie Traveller for use by final retail customer and not to be on sold in any way, the Warranty will commence at the time of the original purchase.

Warranty Period

This Warranty cannot be assigned or transferred to a subsequent owner of the Product.

The purchaser or final retail customer should inspect the Product immediately when received or at vehicle handover, to ensure that it appears free from any damage or defect, and matches the description provided.

If after accepting the Product, a defect appears in the manufacture or assembly of the Product before the end of the Warranty Period and Aussie Traveller finds the Product to be defective in materials or workmanship, Aussie Traveller will, in its sole discretion, either:

- a. replace, repair or refund the Product or the defective part of the Product free of charge; or
- b. cause the Product or the defective part of the Product to be replaced or repaired by a qualified repairer free of charge.

In arranging Warranty inspection, service and repair, Aussie Traveller will seek to provide the details of an approved service agent within your geographic area. Should one not be available, or if the Product is in use in travel, Aussie Traveller reserves the right to seek to arrange a repair or replacement at the next available location on the route of travel.

Aussie Traveller reserves the right to replace defective parts of the Product with parts and components of similar quality, grade and composition where an identical part or component is not available.

Products presented for repair may be replaced by refurbished goods of the same type rather than being repaired. Refurbished parts may be used to repair the Product.

Aussie Traveller Awning Products

This Warranty covers specified defects in materials or workmanship for Awning Products as follows:

1. The vinyl fabric is warranted against:
 - a. holes caused by mildew (mildew will form on dust and dirt and stain fabric if fabric is not kept clean).
 - b. excessive cracking, peeling, hardening or loss of strength while used under normal conditions.
 - c. excessive fading (a slight colour change may occur due to ultraviolet rays).
2. All hardware components including the roller are warranted not to bend or break under normal use (excluding high winds, water pooling and accidents).

Making a Warranty Claim

If a defect covered by this Warranty appears, the Customer must first contact Aussie Traveller within 7 days of first becoming aware of the defect. Aussie Traveller will assist the Customer to rectify and resolve any Product issue that may arise.

When making a claim under this Warranty, Aussie Traveller requires that the following information be provided before any further action will be taken.

1. Original Invoice (Document or Number);
2. Make and model of the Product;
3. Make and model of the vehicle (if Product fitted);
4. Vehicle build date (if Product fitted);
5. Vehicle chassis number;
6. Description of damage and/or repair required;
7. Photos of the damage and/or repair; and
8. Appropriate documentation (such as historical and maintenance records).

Aussie Traveller reserves the right to request more information or images should what is provided not be sufficient to make an assessment for the Warranty claim.

The Product must be made available to Aussie Traveller or its authorised repair agent for inspection and testing. If such inspection and testing find no defect in the Product, the final retail customer must pay Aussie Traveller's usual costs of service work and testing.

The final retail customer must bear the cost of the transport of the Product to and from Aussie Traveller or the authorised repair agent, and all insurance of the Product.

Exclusions

This Warranty will not apply where:

- the Product has been repaired, altered or modified by someone other than Aussie Traveller, or without the written consent of Aussie Traveller or an authorised repair agent;
- the alleged defect in the Product is within acceptable industry tolerances and variances;
- Aussie Traveller cannot establish any fault in the Product after testing and inspection;
- the Product has been used other than for the purpose for which it was designed;
- the alleged defect in the Product has arisen due to the final retail customer's failure to properly use and maintain the Product in accordance with any of Aussie Traveller's instructions, recommendations and specifications (including applicable maintenance schedules);
- the alleged defect in the Product has arisen due to the final retail customer's request to customise the Product;
- the Product has been subject to abnormal conditions, including environment, temperature, high or excessive wind, water, fire, humidity, pressure, stress or similar;
- the alleged defect has arisen due to abuse, misuse, neglect or accident;
- unauthorised parts or accessories have been used on or in relation to the Product;
- the Product has been overloaded or involved in an accident;
- the alleged damage or defect has been caused by normal wear and tear;
- the alleged damage to fabric has been caused by storm, wind or rain, or stretching of fabric caused by water pooling on fabric;
- breakage or bending of hardware components has been caused by storm, wind or rain, or water pooling on fabric.

Replacement Warranty Item

If, under Warranty, a Product is replaced or repaired by Aussie Traveller or an Aussie Traveller agent, unless provided in writing to indicate otherwise, the replacement Product will carry the **remaining** Warranty terms and conditions, including length of time, of the original purchased Product.

Change of Mind

Aussie Traveller understands that at times, final retail customers may change their mind. Choose carefully as return and credit requests for items purchased by mistake or "change of mind" reasons may not be approved. Aussie Traveller will not accept Product returns under these circumstances unless by written approval by an authorized Aussie Traveller representative. If approved, an administration and restocking fee may apply.

Limitations

Aussie Traveller makes no express warranties or representations other than set out in this Warranty.

The repair or replacement of the Product or part of the Product is the absolute limit of Aussie Traveller's liability under this express Warranty.

Contact

Australia Wide: 1300 663 868

Melbourne Office

235 Barry Road
Campbellfield, Melbourne, 3061
Ph: +61 3 9357 6565
enquiries@aussietraveller.com.au

Brisbane Head Office, Factory & Showroom

11-15 Oasis Court
Clontarf, Brisbane, 4019
Ph: +61 7 3284 3284
enquiries@aussietraveller.com.au

1300 663 868 | enquiries@aussietraveller.com.au | aussietraveller.com.au

BRISBANE SHOWROOM: 11-15 Oasis Court, Clontarf QLD 4019 | MELBOURNE SHOWROOM: 235 Barry Road, Campbellfield VIC 3061