




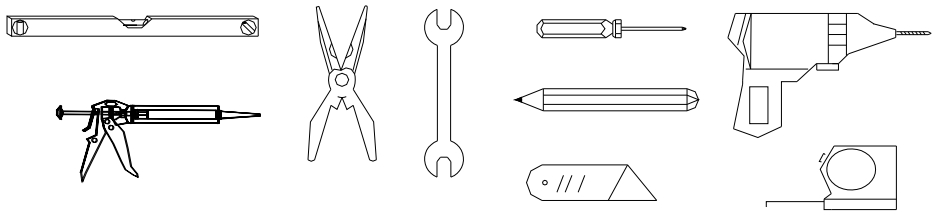




### Packing list

Packing 1	two pieces of glass body,two pieces of fixed glass door,two pieces of sliding glass door, two pieces of aluminum column , two pieces of U shaped plastic seal , four pieces of water resist strip.			
Packing 2	one tray,one roof, two pieces of up and down bended aluminum column witheight pieces of wheels.			
Packing 3	one piece ofpost,one pieces ofsteam pipe.			
Spare parts list	one set shower,two pairs of “ — ” shaped handle,eight pieces of wheel with cover,one set of glass towel shelf, M6*25 screws(1),M6*35 screws(2),ST4*20 screws(3),ST4*25 screws(4), ST4*20 screws(5),one instruction.			
	<b>SCREW (1)</b>	<b>M6x25</b>		<b>4pcs</b>
	<b>SCREW (2)</b>	<b>M6x35</b>		<b>4pcs</b>
	<b>SCREW (3)</b>	<b>St4x20</b>		<b>4pcs</b>
	<b>SCREW (4)</b>	<b>St4x25</b>		<b>8pcs</b>
	<b>SCREW (5)</b>	<b>St4x20</b>		<b>20pcs</b>
				

# INSTALL DIRECTION

## STEAM BATHROOM

MODEL : WS-9090K

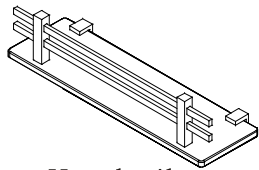


Your best choice!

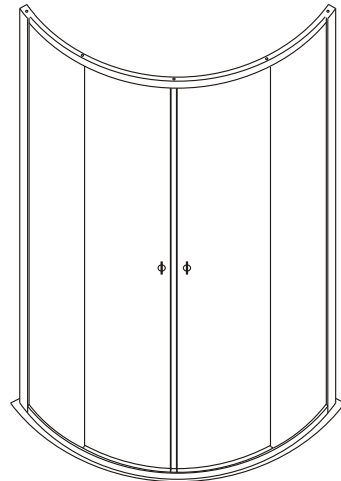
## TECHNIQUE PARAMETER

Voltage	Frequency	Water Volatge	Power of steam generator
AC110V	60Hz	0.1~0.2Mpa	3KW

## CONSTRUCTION SKETCH



Handrail



Glass door



Moveable shower



SIZE:920x920x2170 mm  
36.2" x36.2" x85.4"

switch again to stop .

### 12. Water Supply

Adjust the switch valve back to the original position. Turn off the hot-cold water supply, then switch off the external supply of hot-cold water.

### 13. Drainage


After finishing the bath, use toe to press down the drainage device for remove water.

## BREAKDOWN PHENOMENON AND SETTLEMENT


Phenomenon	Reasons	Maintenance
Without steam	<ol style="list-style-type: none"> <li>1.steam generator without water.</li> <li>2.inside infrared pipe burn out of steam generator.</li> <li>3.block of steam spray mouth.</li> <li>4.probe out off control.</li> <li>5.the temperature inside steam room is over the temperature what were set.</li> <li>6.after fill into water it is still not the time for steam working.</li> <li>7.it is overtime for the setting time.</li> <li>8.disconnect with the control wire.</li> </ol>	<ol style="list-style-type: none"> <li>1.check if the switch of water in be turn on or not.</li> <li>2.change the infrared pipe.</li> <li>3.get rid of mess.</li> <li>4.check the connection wire and change the probe.</li> <li>5.waiting decrease the temperature.</li> <li>6.be waiting few minutes.</li> <li>7.adjust the setting time.</li> <li>8.connect to control wire.</li> </ol>
Without O3	<ol style="list-style-type: none"> <li>1.system be damaged</li> </ol>	<ol style="list-style-type: none"> <li>1.change the system</li> </ol>
Water pipe leaking	<ol style="list-style-type: none"> <li>1.plastic seal ring be connected untightly.</li> <li>2.screws unlock.</li> <li>3.connection is glued not good.</li> <li>4.water pipe be damaged.</li> </ol>	<ol style="list-style-type: none"> <li>1.change the plastic seal ring.</li> <li>2.screws should be installed tightly.</li> <li>3.get rid of the PVC glue then stick the glue again till it is be well done.</li> <li>4.change the water pipe.</li> </ol>
Computer panel under control	<ol style="list-style-type: none"> <li>1.power not be connected well,electronic leakage device without power.</li> <li>2.switch of control panel out of control.</li> </ol>	<ol style="list-style-type: none"> <li>1.get through the power again.</li> <li>2.change the computer panel.</li> </ol>
Without lighting	<ol style="list-style-type: none"> <li>1.bulb be burned.</li> <li>2.without power.</li> <li>3.switch of control panel out of control.</li> </ol>	<ol style="list-style-type: none"> <li>1.change bulb.</li> <li>2.get through power gain.</li> <li>3.maintain or change the computer panel.</li> </ol>
Telephone connection unworking	<ol style="list-style-type: none"> <li>1.telephone wire not connected well or be damaged.</li> <li>2.telephone's device be blocked.</li> </ol>	<ol style="list-style-type: none"> <li>1.check the wires of telephone and electronic box if get through or not, if there is something wrong replace by the similar wires.</li> <li>2.get rid of mess.</li> </ol>
Without sounds	<ol style="list-style-type: none"> <li>1.speaker be broken</li> <li>2.without power</li> <li>3.switch of control panel out of control</li> </ol>	<ol style="list-style-type: none"> <li>1.change the speaker</li> <li>2.get through power again</li> <li>3.maintain or change the computer panel</li> </ol>

## USAGE ILLUSTRATION


### 1. On/off

Connect to the power supply, when the system is turned on by press “” button, the decorating lights and screens will both turn on. The temperature screen refers to the current temperature inside the room, the default time setting at the time screen is 30 minutes.


### 2. lights

To control the light by using the “” button.

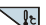

### 3. Exhaust fan

To control the Fan by using the “” button.


### 4. Time setting

Press “” button for time count down to turn off the steam generator. The default flashing “TIME” on the screen is 30 minutes. Every time for pressing the button would increase 2 minutes, and the time range is 10-98 minutes.






### 5. Temperature setting

Press “” button for switch off the steam generator when the temperature inside the bathroom has reached a certain degree. The default flashing “” on the screen is 45 degrees Celsius. To increase the temperature setting by presses the same button. The range of the temperature is 20-60 degrees Celsius. The System will switch off the generator automatically when the temperature inside which lower the temperature setting by 3 degrees Celsius.


### 6. Steam Function

Press “” to turn on the steam generator, the internal water tank will be filled with water, and then steam is generated in round about one minute. When the water level inside the tank does not reach the level as required, the system will refill it. If any other reasons which make the tank lacked of water in 30 seconds, steam generator will be turned off automatically.


### 7. Radio/CD

Press “” button to switch from radio to CD player and shut down. Press “” to adjust the frequency. Press one second to auto-search. Press “” for reset. Press “”、” to adjust the volume.

### 8. Telephone

Press “” button to receive phone calls, and press again to hang up. The microphone is in the control panel.

### 9. Switch off

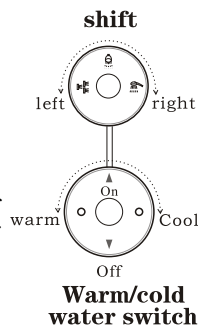
Press “” to turn off the system, the water tank drain out in 10 seconds, meanwhile the ozone generator starts sterilization for 10 minutes.

### 10. Taking shower and water massage

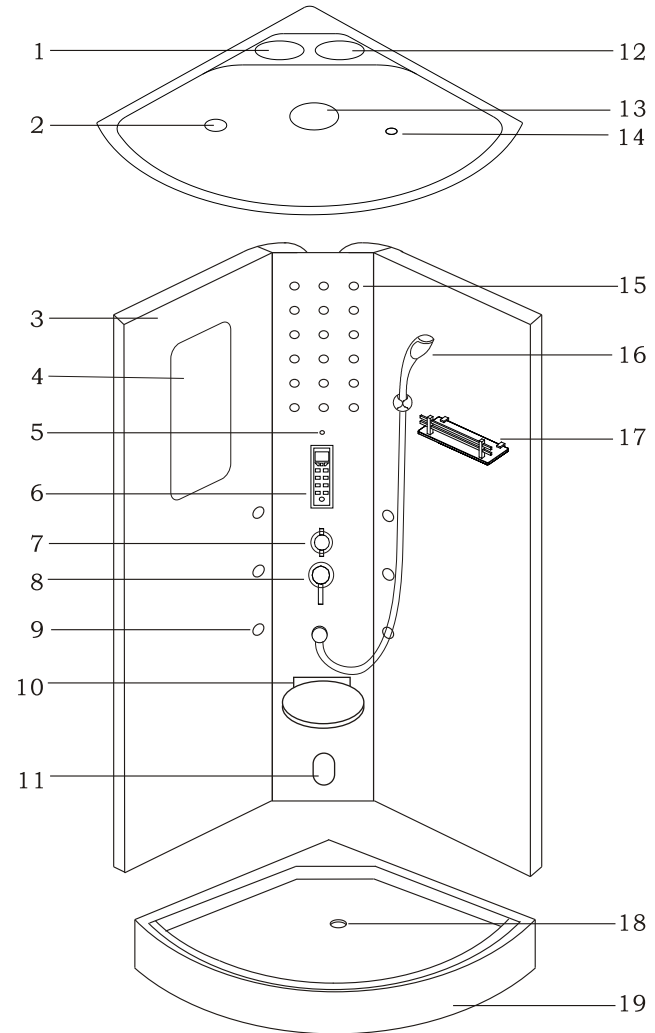
Press the water switch and pour water. Get a suitable temperature, then choose the shower function according to your need. The function of the select shift (from left to right) is acupuncture sprayer, roof shower bath and moveable shower bath. Turn the shift and select what you need.

### 11. Sole-massage

Set the sole-massage to a suitable place, and turn the select shift to sole-massage, then press the water switch. Test the water temperature and begin to use sole-massage. Press the water

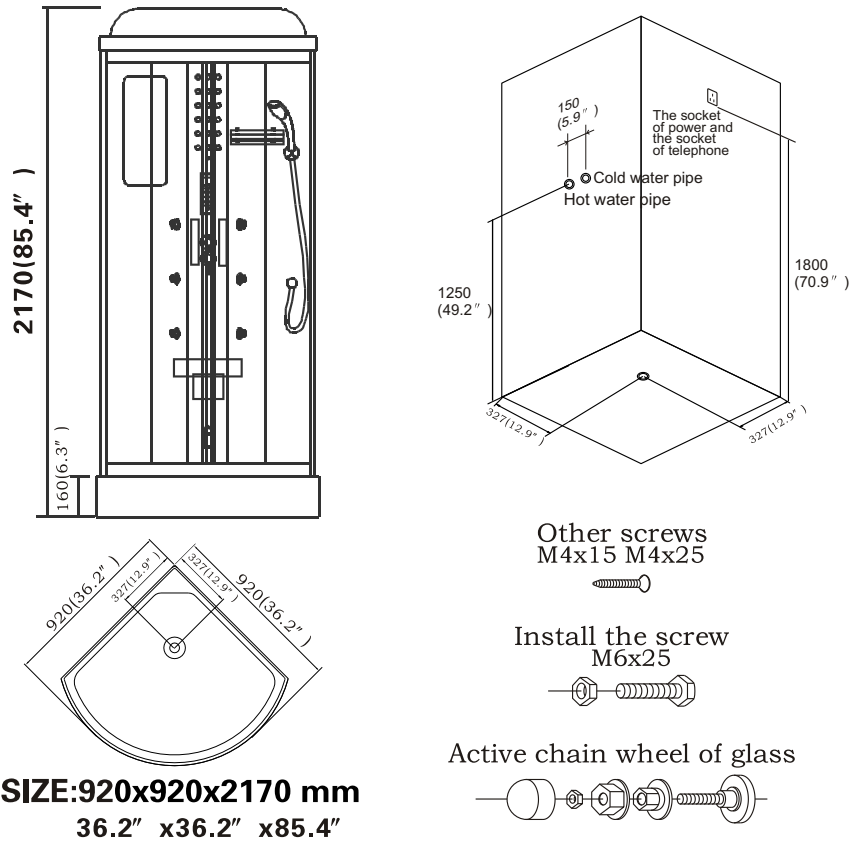


## CONSTRUCTION SKETCH



- |                      |                         |                    |
|----------------------|-------------------------|--------------------|
| 1、speaker            | 8、cold/hot water switch |                    |
| 2、ozone              | 9、nozzle                |                    |
| 3、room body          | 10、seat                 | 15、back light      |
| 4、mirror             | 11、steam out            | 16、moveable shower |
| 5、temperature sensor | 12、exhaust fan          | 17、handrail        |
| 6、control panel      | 13、top shower           | 18、drainage        |
| 7、shift switch       | 14、roof lamp            | 19、bottom tray     |

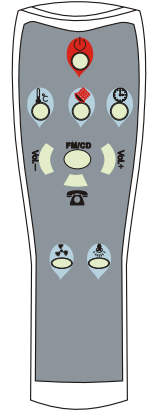
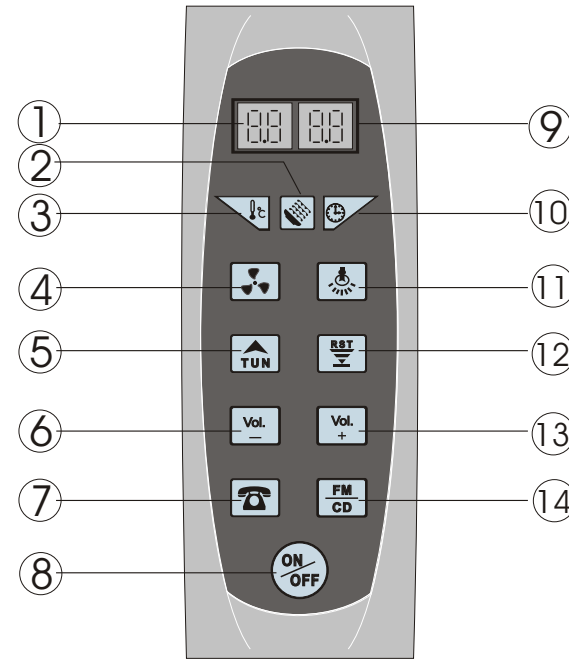
## INSTALLATION SKETCH



## ILLUSTRATION OF INSTALLATION

1. The products should be installed by technical guy who are got the certificate or those technical who are assign by dealers. The main power switch and electronic leakage device should be installed.
2. The plug of electronic should be installed above the steam generator and the length of electronic wire not less then 1800MM from the earth.
3. There are should be with main power switch for hot and cold water pipe of steam room and the water pipe should be connect to drainage water pipe.
4. Install the products according to the diagram of installation When fixed the place for the products.

## MANUAL



### Remote Control

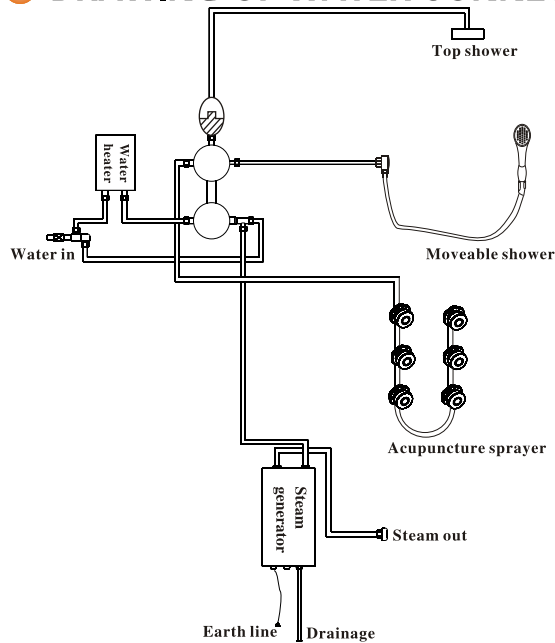
1. This remote control is waterproof .
2. For details, refer to control panel.
3. Point the remote control towards the sensor on the control panel. Effective distance is 5m.
4. Please put the remote control carefully, don't throw it heavily.

Remote control is required by extra.

- |                      |                             |
|----------------------|-----------------------------|
| ① Temperature screen | ⑧ ON/OFF                    |
| ② Steam              | ⑨ Time screen               |
| ③ Temperature adjust | ⑩ Time adjust               |
| ④ Exhaust fan        | ⑪ Top light/decorated light |
| ⑤ FM search          | ⑫ FM reset                  |
| ⑥ Volume down        | ⑬ Volume up                 |
| ⑦ Telephone          | ⑭ FM/CD                     |



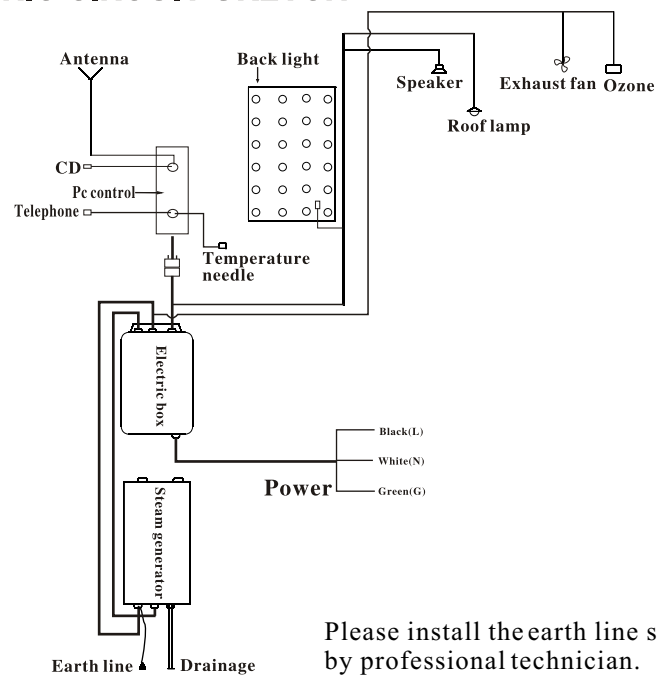
## DRAWING OF WATER CONNECTION



### Instructions:

1. You should install the water heater yourself.
2. As the “ “

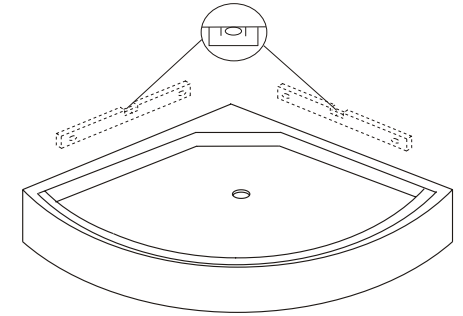
## ELECTRIC CIRCUIT SKETCH



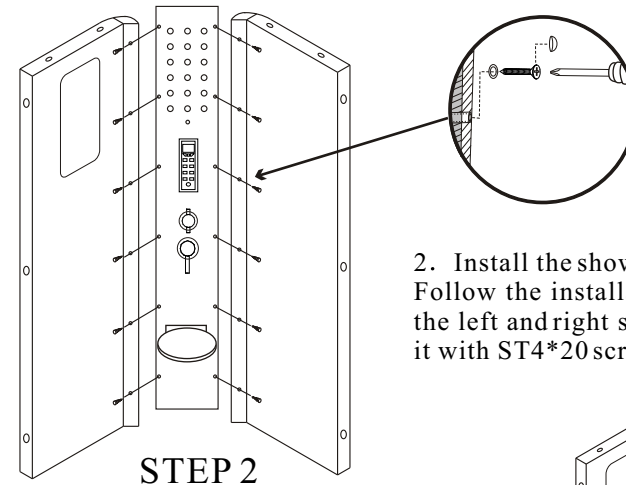
Please install the earth line safely by professional technician.

## INSTALLATION PROCESS

1. Assembly of tray  
If the ground is not smooth, please adjust the nail under the tray to keep the balance of the tray and ground.

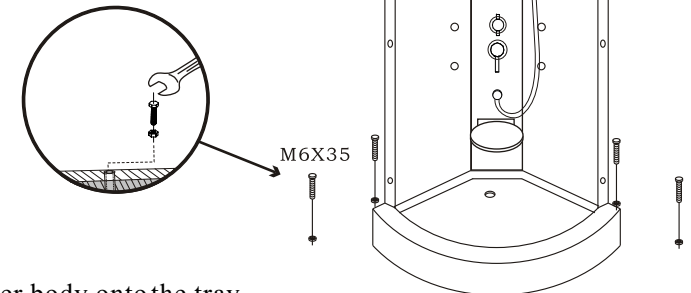


STEP 1



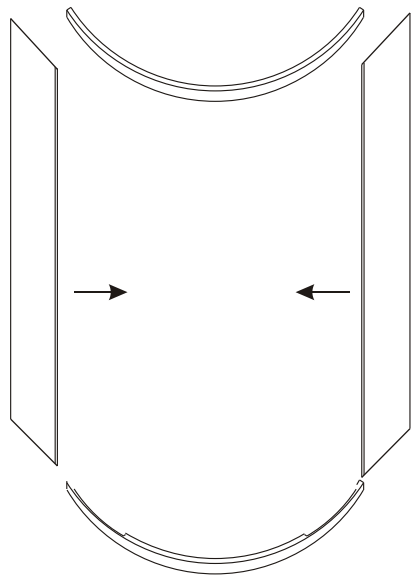
STEP 2

2. Install the shower body  
Follow the installation process install the left and right side shower body, fix it with ST4\*20 screws.



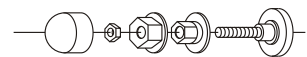
STEP 3

3. Install the shower body onto the tray  
Put the shower body onto the tray, fix it.



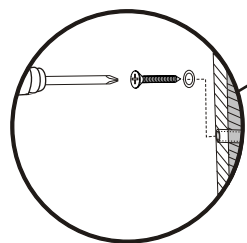
4. Assembly of fixed glass door.

STEP 4

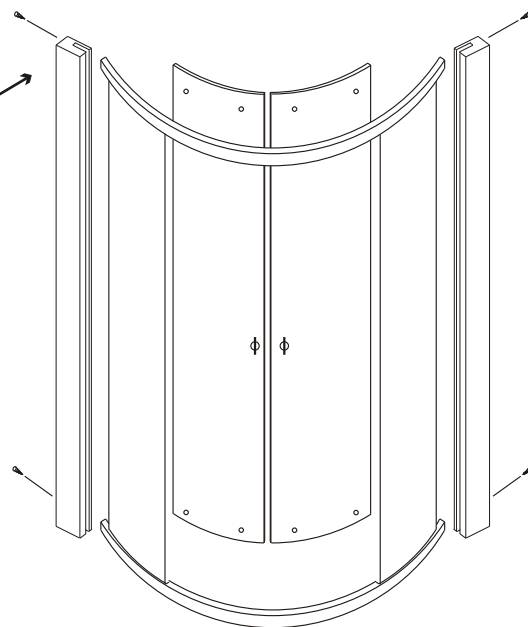


Active chain wheel of glass

4X25

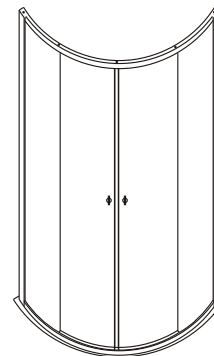


5. Assembly of sliding door  
put the sliding door onto the up  
and down aluminum track to keep  
it balance.

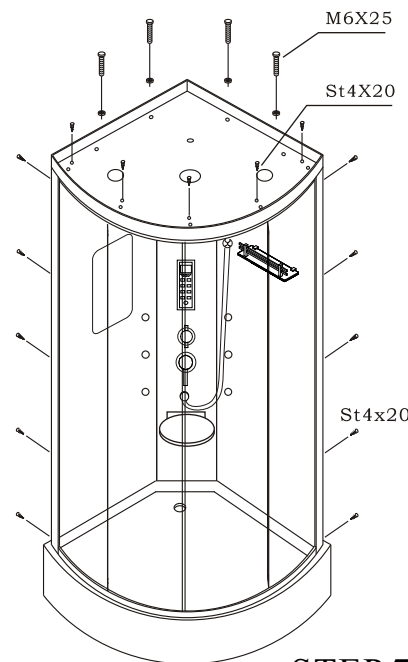
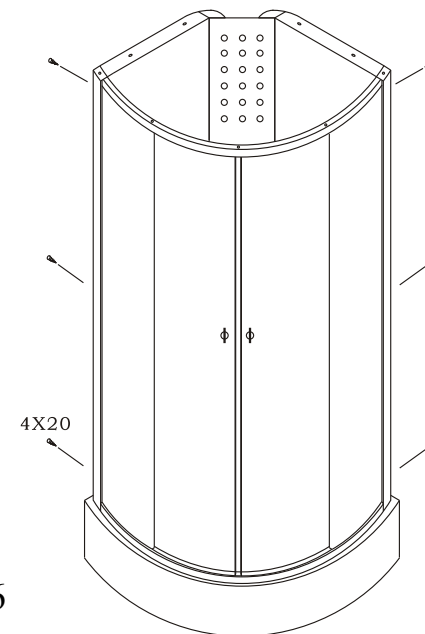


STEP 5

6. Install the glass door onto the tray  
Put the plastic pad onto the aluminum  
post of glass door,if the length of the  
plastic is not suitable for the aluminum  
post,you can cut it in suitable size,then  
put it on the tray,screw with bolts.



STEP 6



STEP 7

7. install the roof  
Leave the roof onto the top of shower  
body,then fix tightly with bolts.Then  
install spare parts.

A. Finish assembling the whole set,in  
order to avoid water and steam  
leaking,except the position of sliding  
glass door do not use the silicone, the  
silicone should be used on all else  
connecting position.

B. While connecting the cold and hot  
water pipe,wipe the silicone on the  
connecting mouth to make it will be  
connected very well.

C. Sketch map of pipe  
connection(show as the picture).

D. Assembly of spare parts(shower  
and so on)

Afer all spare parts have been  
installed well,put on the power  
supply and cold/ hot water switch to  
check whether all functions work