

Wood burning heater Harvia M3 black

WKM3

The Harvia M3 has a classic design and is suitable for smaller, woodburning saunas. It turns a sauna bath into a pleasurable experience and adds a touch of traditional sauna atmosphere. The even heat and efficient air circulation guarantee an enjoyable bath. The Harvia M3 comes equipped with a glass door, allowing the warm glow of the fire to complement the sauna atmosphere. The colour of the stove is elegant graphite black and it has a stainless steel air-flow spoiler. The M3 stove can be equipped with a pipe model water heater.



Features

Main material : Steel

H x W x D : 710.0 x 390.0 x 450.0 mm

Net weight (kg) : 44.2

Stone amount (kg) : 30.0

ID	GTIN	Power	Sauna room size min - max m3
WKM3	6417659009423	16.5 kW	6.0-13.0

Related products



WL100

Spare parts

Product	ID	Pcs
Furnace grate	ZKIP-10	1
Connection pipe	ZKIP-130	1
Ashpan RST Pro	ZKIP-720	1
Hinge pin	ZKIP-50	1
Air-flow spoiler M1/M3	ZKIP-630	1
Handle for stove + screws	ZKIP-670	1

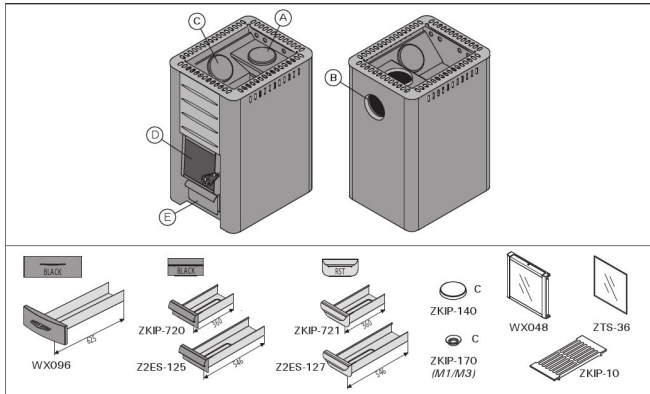
Technical details

Technical data	Type / attribute	WKM3
	Color	Black
	Power output	16.5 kW
	Stone sizes	10-15 cm
	Stone amount (kg)	30
Dimensions	Product width (mm)	390
	Product height (mm)	710
	Product depth (mm)	450
	Net weight (kg)	44.2
	Gross weight	46.1
	Package width	500
	Package height	765
	Package depth	415
Connections	Flue connection locations	Back, Top
	Chimney connection diameter	115
Safety and installation dimensions	Safety distance front (non-combustible materials)	300
	Safety distance right side (combustible materials)	250
	Safety distance right side non-combustible materials	100
	Safety distance left side (combustible materials)	250
	Safety distance left side non-combustible materials	100
	Safety distance behind (non-combustible materials)	100
	Safety distance behind (combustible materials)	300
	Safety distance (Ceiling) (depends on connections and therefore from output, star/delta)	1200
Room min. height (depends on connections and therefore from output, star/delta)	1900	

Technical images

1.1. Stove Parts

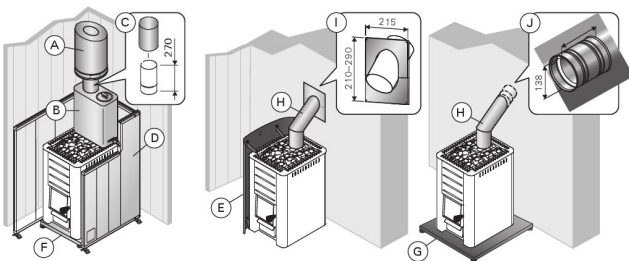
- A. Upper connection opening
- B. Rear connection opening
- C. Soot opening
- D. Stove door
- E. Ash box



Stove parts. Note! Only use replacement parts recommended by the manufacturer. Unauthorised modification of the stove is prohibited.

3.4. Accessories

- A. Harvia steel chimney WHP1500.
- B. Water heater VL221. Installed on the top of the upper connection opening. When a protective sheath or other protection is used that is not large enough to protect the inflammable materials around the stove from the heat radiation of the pipe between the water heater and smoke flue, you must install a radiation cover around the pipe.
- C. Radiation cover WZ020130. Installed around the smoke pipe.
- D. Harvia protective sheath WX017.
- E. Harvia protective sheath WL400-WL775.
- F. Harvia protective bedding WX018, WL100. (not for models 20 RS/LS Pro, 36, 36 Duo, Premium VS, Linear 22 RS/LS, 22 RS/LS S).
- G. Harvia protective bedding WL110 (not for models 20 ES Pro/S, Linear 22 ES, 22 ES S).
- H. Angle smoke pipe. Different models.
- I. Lead-through flange for smoke pipe WZ020115. Covers the edges of the flue opening and the sealing in the wall. Made of stainless steel. Consists of two parts to make it useable with differently inclined smoke pipes.
- J. Masonry connector WZ011115. Connected to the flue opening, does not require other seals. The inner side already has a seal.



Accessories (all dimensions in millimeters)

	A min.	B min.	C min.	D min.
M1, M2, M3-SL, Classic 140	1200	250	300	300
20 Pro, 20 SL Duo, 20 ES Pro, S20 Boiler, 20 SL Boiler, Premium VS, Classic 220 Duo, 20 RS/LS Pro	1300	300	300	300
26 Pro, Classic 280	1280	375	375	375
36, 36 Duo	1250	500	500	500
Linear 16, 16	1300	300	350	400
Linear 22, 22 S, Linear 22 RS/LS ES, 22 RS/LS ES S	1265	400	380	500
Linear 28	1380	400	400	500

Safety distances (all dimensions in millimeters)

WX017	B min.
M1, M2, M3-SL, 20 Pro, 20 SL Duo, 20 ES Pro-S, 20 Boiler, 20 SL Boiler, Premium, Classic 140-SL, Classic 220 Duo	300
26 Pro, Classic 280	375
Linear 16, 16	300
Linear 22/28, Linear 22 ES, 22 ES S, 22 S	400

	B min.	C min.	D min.	F
WL400/WL450 M1, M2, M3-SL	50	50	300	30
WL500/WL550 20 Pro-SL Duo, 20 Boiler, 20 SL Boiler	62	62	422	30
WL600/WL650 20 ES Pro-S	73	73	526	30
WL700/WL750 26 Pro	73	73	526	30
WL800/WL850 36, 36 Duo	90	90	700	30
WL500/WL590 20 RS/LS Pro	62	62	422	30
WL425/WL475 Linear 16, 16	30	30	400	32
WL525/WL575 Linear 22, 22 S	70	70	500	40
WL525/WL585 Linear 22 RS/LS, 22 RS/LS S				
WL530/WL580 Linear 22 ES, 22 ES S				
WL725/WL775 Linear 28				

Safety distances with protective sheaths (all dimensions in millimeters)