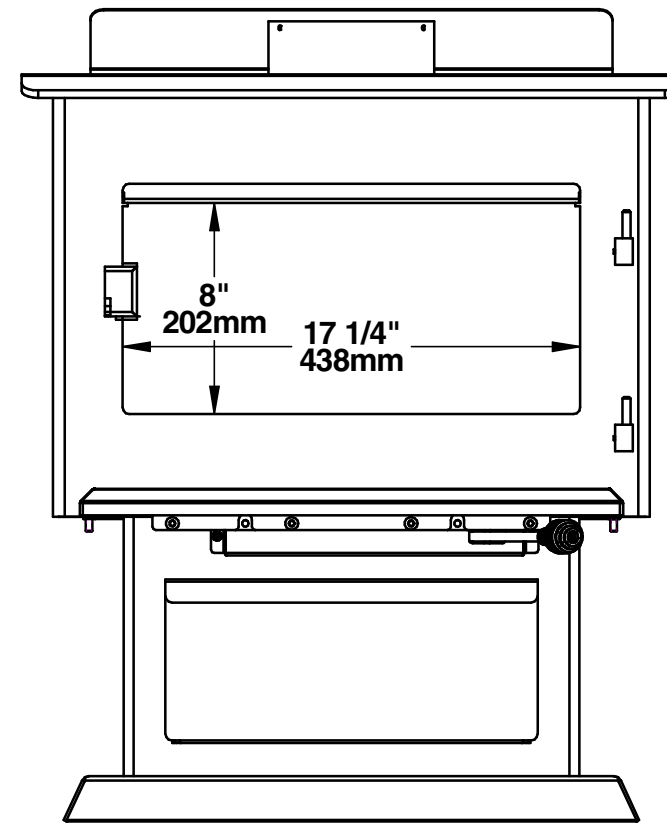
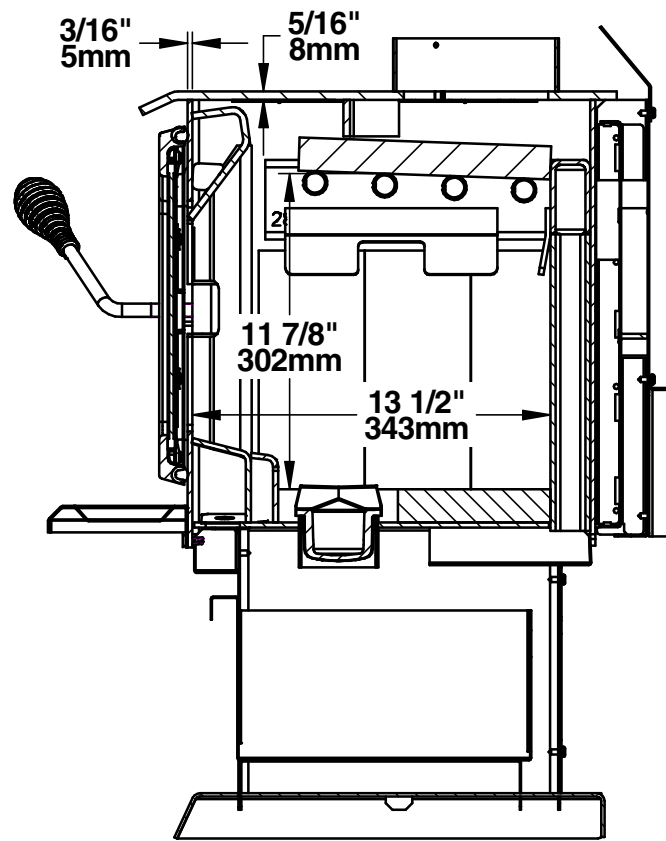
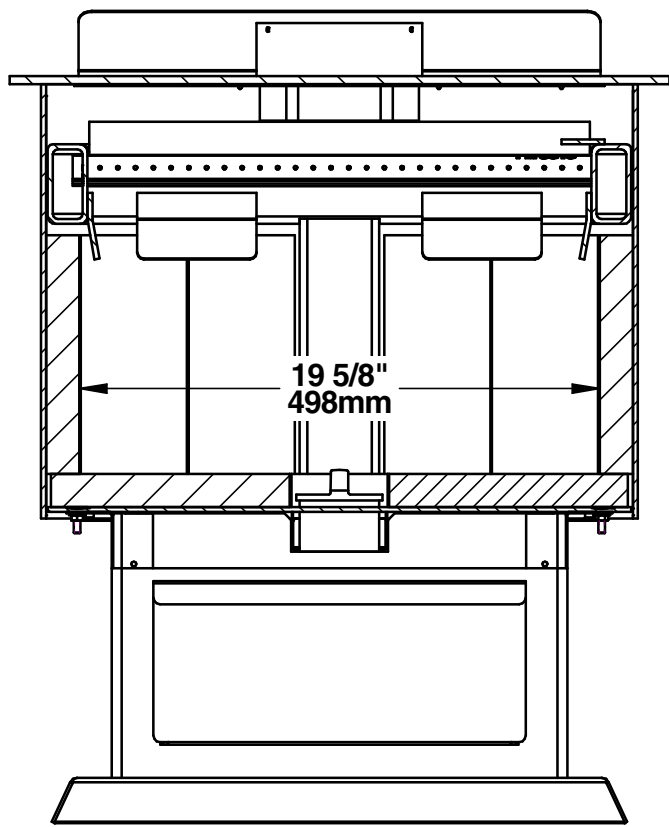


SAVANNAH II (DB03028)
PIÉDESTAL / PEDESTAL

© 2019, FABRICANT DE POÊLE INTERNATIONAL INC. TOUS DROITS RESERVÉS / ALL RIGHTS RESERVED



SAVANNAH II (DB03028)
CHAMBRE À COMBUSTION / COMBUSTION CHAMBER

© 2019, FABRICANT DE POÊLE INTERNATIONAL INC. TOUS DROITS RESERVÉS / ALL RIGHTS RESERVED