



EAGO
EAGO Sanitary Ware Co., Ltd.
Factory Add: Shiling Development Zone, Xiaotang Town, Nanhai District, Foshan City, Guangdong, China
National Service Hotline: 800-8301359

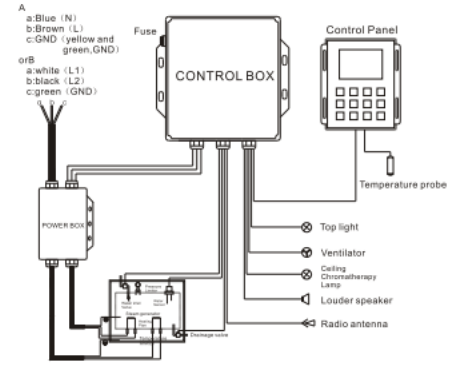
EAGO

DA333F8 Installation Instruction

Important safe information

- Please read this instruction and assemble the steam shower according to it.
- The leakage protection switch must be installed. Besides, please try it to check whether it is safe enough before formal using.
- To avoid being shocked by the electricity, users are not allowed to install or replace wires by themselves, please ask a professional electrical engineer to do such work.
- The ground line of the product must be connected to the earth permanently.
- There is a ground wire on the pump, to avoid being shocked by the electricity, users should connect this wire to the ground. The diameter of the copper-core wire shouldn't less than 1.5square millimeters.
- To avoid being hurt, it is strictly forbidden to touch the pump while it is working.
- It is not allowed to refill, append or scissor the steam shower and bathtub.
- It is strictly forbidden to use the steam shower after drink or eat some hyponic medicine.
- Children should be guided by parents while using.
- Do not use any strong chemical liquid such as Vitriol, Hydrochloric acid, Lye and so on to clean the steam shower.
- Please be sure the water level should be above all the jets before press the Pump Key.
- If you use the massage function, please be sure not block the Water Filter.
- If the steam shower with 3KW/4.5KW/6KW steam generator, the diameters of wires which are used not less than 2.5square millimeter/4square millimeter/6square millimeter.
- Especially note: The using water temperature should not pass 60 centigrade or 160 Fahrenheit.
- Warning: To avoid being shocked by the electricity, please be sure to connect the DC-ROCD to the ground plug. It is not allowed to take off the Self-cleaning Cup Lid during using the steam function, or the steam will jet out to hurt users.

Installation wiring diagram



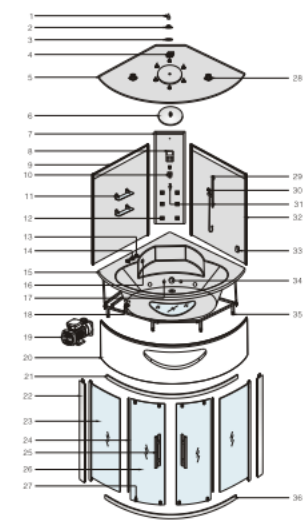
Configuration	message pump	steam generator	ceiling light	exhausting fan	Solenoid valves	CPU	Speaker	Note
Parameter	AC220-240V/50HZ	AC220-240V/50HZ	DC12V	DC12V	DC12V	AC220V-240V/50HZ		
Rating voltage	AC110-120V/60HZ	AC240V/60HZ	DC12V	DC12V	DC12V	AC240V/60HZ		
Rating power	900W	3000W	10W	3W	5W		10W	
Rating power	900W	4500W	10W	3W	5W		10W	
Rating power	900W	6000W	10W	3W	5W		10W	

CONTENTS

- 01-02 Component Directions
- 03 Technical Drawing
- 04-10 Installation steps
- 11-12 Control panel keys and function directions
- 13 Illustration for cleaning function
- 14 Maintenance service card
- 16 Troubles shooting

Installation Instruction

Parts instruction



1. 4"x4 copper elbow	2. 1/2" copper screw nuts	3. 4 plastic pasket	4. 90°90 Ventilator
5. Top cover	6. Shower head	7. Mid back panel	8. FB control panel
9. Left side panel	10. Square 4 ways faucet	11. Tempered glass shelf	12. Square jet
13. Control valve	14. Air control valve	15. Waste drainer	16. Whirlpool bathtub
17. Colorful light 18grains	18. Bathtub jet	19. WTC12SAB pump	20. Bathtub skirt
21. Upper aluminum profile	22. Corner aluminum profile	23. Left fixed door	24. Movable door aluminum profile

01

Parts instruction

25. Hatlye handle	26. Movable door	27. Wheel
28. Loud speaker	29. Up and down hand power bracket	30. Hand shower
31. Cleaning cup	32. Right back panel	33. Steam mouth
34. Filter	35. Adjustable leg	36. Bottom aluminum track

Parts package

4x10 self-drilling screws: 27pcs	stainless steel block: 7pcs
3.5x20mm screw with cushion: 8pcs	6x30mm self-locking screw: 4pcs
6mm spring seal: 4pcs	6mm steel seal: 5pcs
Screw rubber coat: 4pcs	6mm steel nuts: 4pcs
3mm Hexangular Wrench: 1pcs	binding strip: 10pcs

Installation Instruction 02

- Install the back panels.
- Take the No.1 panel out of the carton and put it on the floor carefully.
- Put the level ruler on the shower base to check the level. Adjust the adjustable leg if the shower base is not horizontal. Illustrated in the drawing A.

- Install the back panels.
- Take the No.1 panel out of the carton and put it on the shower base carefully. Please be sure to make one person to stand beside to hold it on safety.
- Take the No.2 mid panel out and put it beside of the No.1 back panel carefully. Insert the No.2 panel to the aluminum profile of the No.1 back panel. Then make one person hold on the No.1 and the No.2.