

NAVODILA ZA UPORABO

INSTRUCTIONS FOR USE

2022

www.glowen.si

KAZALO VSEBINE - Slovenščina

Stran 1 - Stran 8

TABLE OF CONTENTS - English

Stran 9 - Stran 17

01	Pomembne informacije	Stran 1
02	Splošna navodila	Stran 2
	Pred prvo uporabo	
	Predpečenje	
03	Kaj je v škatli?	Stran 3
04	Katero gorivo uporabiti?	Stran 4
05	Kurjenje z lesom	Stran 4
06	Navodila za nego	Stran 4
	Kje naj peč shranim?	
	Kako očistim peč?	
	Kako očistim plošče za peko?	
	Kako ugasnem Glowen Raptor?	
07	Odpravljanje težav	Stran 5
	Na peči opažam spremembo barve	
	V kurišču imam preveč pepela	
	Temperatura v peči je previsoka	
	Temperatura v peči je prenizka	
	Plošča za pečenje je počila	
08	Varna uporaba	Stran 7
09	Garancija	Stran 8
10	Dimenzije peči	Stran 18

**POMEMBNE
INFORMACIJE**

Vaša varnost je najpomembnejša, zato skrbno preberite priložena navodila in jih shranite za poznejšo uporabo.



Glowen raptor je zasnovan za zunanjo uporabo, zato ga ne uporabljajte v notranjih prostorih.



Peči nikoli ne uporabljajte brez nadzora.



Ne uporabljajte peči ob močnem vetru.



Med uporabo vedno uporabljajte ognjevarne rokavice.



Rok in drugih udov ne potiskajte v notranjost peči.



Med uporabo se zunanosti peči ne dotikajte.



Strogo prepovedano pihanje v peč.



Poskibite, da se otroci in živali med uporabo peči ne zadržujejo v bližini.

SPLOŠNA NAVODILA



PRED PRVO UPORABO

Preden se lotite kulinaričnega ustvarjanja z novo Glowen Raptor pečo skrbno preberite navodila za uporabo, da se seznanite z lastnostmi peči in jih shranite za poznejša morebitna vprašanja.



PREDPEČENJE

Pred prvo uporabo zakurite peč in jo na najvišji temperaturi kurite najmanj 45 min. Postopek imenujemo predpečenje. Po kurjenju pustite, da se peč ohladi in obrišite notranjost s suho krpo. Ta postopek dezinfekcije bo sežgal olja in premaze, ki so ostali od proizvodnega procesa. V tem koraku se iz peči močneje pokadi, ker je potrebno, da se barvni nanosi popolnoma zapečejo na peč. Sedaj je peč pripravljena za pečenje hrane.

Prvi korak k okusni hrani, je visoko kakovostno gorivo. Uporabljajte samo bukova suha drva. Pri kurjenju na plin pa vedno preverite plinske povezave, rezervoar, cevi in regulator, da preprečite morebitno uhajanje plina.

Peč postavite na dovolj trdno podlago, da drži peč in vaše potrebne sestavine. Priporočamo kovinske in kamnite površine, vsekakor pa odsvetujemo uporabo steklenih in plastičnih.

Če želite zamenjati vrsto goriva (iz drv na plin ali obratno), je bistvenega pomena ohladitev peči pred menjavo gorilnika.

Če potrebujete nižjo temperaturo ali samo malo počitka, temperaturo v peči preprosto znižate tako, da v notranjost ne dodajate goriva ali z regulatorjem samo zmanjšate dovod plina.

Čiščenje in premikanje peči je priporočeno, ko se le ta ohladi (približno 2 uri po koncu kurjenja). Shranjevanje hladne peči je nujno v suhem in zračnem prostoru. Za ohladitev peči nikoli ne uporabljajte vode.

KAJ JE V ŠKATLI?

1. Peč

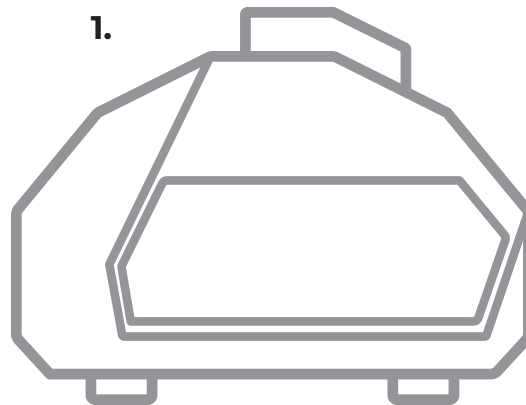
V celoti izolirana glavna komora zadržuje vso potrebno toploto. Integrirane nedrseče noge poskrbijo, da peč stoji trdno in varno.

2. Plošča za peko

Plošča za peko zadržuje vso potrebno toploto.

3. Kurišče

Odstranljivo kurišče lahko po uporabi odstranimo in očistimo.



2.



3.



KATERO GORIVO UPORABITI?

Peč GLOWEN RAPTOR je zasnovana za uporabo s trdimi gorivi, kot je les, lahko pa jo z dodatkom plinskega gorilnika, uporabljate tudi na plin. Izberite si gorivo, ki vam bolj odgovarja. Peč se segreva super hitro in zadržuje toploto. Kroženje zraka je enako kot v pravih, zidanih krušnih pečeh. Najvišja temperatura je na vrhu komore, najmanjša pri vstopu zraka v peč. Kurite počasi in sproti opazujte ter po potrebi izmerite temperaturo. Preden se lotite novega pečenja, s krtačo očistite morebitne ostanke pepela.

KURJENJE Z LESOM

Prasketanje lesa v ognju ustvarja posebno izkušnjo, dim pa hrani doda aromo. Priporočamo pečenje s popolnoma suhim bukovim lesom. Za agresivnejše gorenje uporabljajte manjše kose lesa, za počasnejše gorenje, večje. Če kurite dlje časa, pepel odstranite v kovinsko vedro, napolnjeno z vodo.

Nikakor ne uporabljajte obdelanega ali barvanega lesa. Les z visokim deležem smole, kot sta smreka in bor lahko hrani dodata neželene arome.

NAVODILA ZA NEGO

Kje naj peč shranim?

Priporočamo, da GLOWEN RAPTOR ob neuporabi shranjujete v suhem in zaprtem prostoru, da peč zaščitite pred različnimi vremenskimi vplivi.

Kako očistim peč?

Vedno počakajte, da se peč popolnoma ohladi, šele nato se lotite čiščenja. Po potrebi notranjost čistite s suho krpo. Zunanje površine lahko obrišete z vlažno krpo in popolnoma osušite, preden peč pospravite.

Kako očistim ploščo za peko?

Ploščo za peko očistite s kurjenjem Gloven Raptor pečjo pri najvišjih temperaturah. Če morate odstraniti težje ostanke hrane, uporabite krtačo.

Pice in jedi na osnovi testa pecite neposredno na plošči, ostale jedi v litoželeznih ponvah.

Kako ugasnem Glowen Raptor?

Pustite, da trdo gorivo znotraj izgori in počakajte, da se ohladi. Hlajenje je odvisno tudi od temperature okolice. Odvečen pepel odvržete v kovinsko posodo, napolnjeno z vodo. Pri ohlajanju peči ne uporabljajte vode.

Pri plinskih gorilnih samo ugasnete plin.

ODPRAVLJANJE TEŽAV

Popolnoma normalno je, da različna goriva proizvajajo različen dim. Na prvem predpečenju se bo s peči pokadilo nekoliko drugače zaradi dodatnega zapečenja barve na površino. Po predpečenju bo med uporabo gorelo z minimalnim dimom. Če v peči ne gori, gre za uporabo neprimernega goriva (na primer mokra drva). Les za kurjenje vedno shranjujte na toplem in suhem okolju, saj močno absorbira vlago. Mokra drva ne bodo izgorevala čisto in učinkovito, zelene temperature pa ne boste dosegli. Preverite tudi dimnik, da imate prosto pot zraka na prosto.

Na peči opažam spremembo barve

Glowen Raptor je izdelana iz visokokakovostnega barvanega nerjavečega jekla. Na jeklu lahko po ponavljajočih ogrevalnih ciklih opazite nekaj barvnih sprememb, patine, vendar ti ne vplivajo na kakovost peči. Ne pozabite shranjevati peči v suhem in zaprtem prostoru.

V kurišču imam preveč pepela

Pepel je naravni ostanek pri gorenju naravnih goriv. Odvečno količino pepela, ki se nabere v kurišču lahko odstranimo z loparjem v kovinsko posodo napolnjeno z vodo. Pri odstranjevanju pepela uporabljamo ognjevarne rokavice, da preprečimo morebitne poškodbe in opeklino.

Temperatura v peči je previsoka

Korigiranje z gorivom je najlažji način za hlajenje peči. Če je v peči prevroče, enostavno ne dodajajte goriva ali plamen zmanjšate na regulatorju plina in počakate, da se ohladi do primerne temperature.

Temperatura v peči je prenizka

Glowlen Raptor se segreva približno 15 min nadrva in nekoliko dlje na plin, odvisno od načina kurjenja in spretnosti kurjača. Če je temperatura prenizka preprosto dodajte drva ali povečate plamen na regulatorju plina.

Opomba: Če je bila vaša peč izpostavljena dežju ali ekstremnemu mrazu lahko segrevanje traja dlje.

Plošča za pečenje je počila

Plošče so izdelane iz naravnega materiala in počijo, kadar so bile prehitro izpostavljene previsoki temperaturi. Predpečenje naj bo zmerno. Plošče so potrošni material in garancija za njih ne velja.



Če imate vprašanja ali komentarje, nam pišite na info@glowlen.si

VARNA UPORABA

- Glowen Raptor se sme uporabljati samo zunaj ali v dobro prezračevanem prostoru.
- Ne uporabljajte peči v šotoru.
- Ne uporabljajte Glowen Raptor na zaprtih balkonih.
- Glowen Raptor ni primeren za uporabo v vozilih ali prtljažnikih vozila.
- Peč postavite na ravno, negorljivo površino brez ostankov gorljivih materialov.
- Gorilnikov ne poskušajte uporabljati z drugimi pečmi. To pomeni razveljavitev garancije.
- Za kurjenje Glowen Raptor peči ne uporabljajte gorilnikov, ki niso last Glowen Raptorja ali neodobrenih gorilnih drugih proizvajalcev.
- Med uporabo gorilnikov ne odstranjujte.
- Pred uporabo se prepričajte, da je gorilnik varno in pravilno nameščen.
- Ne uporabljajte obdelanega, pobarvanega ali svežega lesa.
- V bližini Glowen Raptor ne shranjujte gorljivih materialov.
- Med uporabo ne skušajte v peč vstavljati vnetljivih tekočin.
- Pri uporabi Glowen Raptor peči vedno uporabljajte toplotno odporne rokavice.

GARANCIJA

Kaj zajema garancija?

Garancija se nanaša na Glowen Raptor peč.

Omenjena garancija ni prenosljiva in velja samo za prvotnega kupca. Za uveljavljanje garancije je potreben original račun.

Glow seven d.o.o. jamči, da izdelki (v nadaljevanju izdelek) ne bodo imeli pomanjkljivosti v izdelavi in materialih.

Garancija velja 2 leti od datuma nakupa.

Če Glow seven d.o.o. ugotovi nepravilnosti, izdelek ali rezervni del brezplačno menja. Zagotavljamo vzdrževanje in zagotavljanje nadomestnih delov za izdelek v zakonsko določenem roku (18. točka ZakonaVP).

Česa garancija ne vključuje?

Garancija ne velja v primerih, če kupec ni ravnal v skladu s priloženimi navodili.

Garancija ne krije škode ali okvare, ki bi izvirala iz običajne obrabe izdelka, zlorabe, malomarnosti, nepravilnega vzdrževanja, nesreče ali razbarvanja izdelka.

Garancija ne krije poškodb izdelka zaradi uporabe v druge namene, kot je izdelek predvidoma izdelan. Prav tako ne krije, če je v izdelek posegala nepooblaščen ali nestrokovna oseba.

Garancija ne krije poškodb na izdelkih kupljenih na neodobrenih prodajnih mestih, vključno s tretjimi osebami in trgovci na Bolhi, Amazonu, E-bayu.

Garancija ne velja za glinene plošče.

Garancijski zahtevki

Vse garancijske zahtevke je potrebno predložiti neposredno na Glow seven d.o.o in sicer na glowenpizza@gmail.com z zadevo garancijski zahtevki v času trajanja garancije z original računom in pojasnilom napake na izdelku. Nepopolna vračila ne bodo sprejeta.

Ko Glow seven d.o.o. prejme vašo zahtevo za uveljavljanje garancije jo potrdi ali ovrže (običajno 7-10 delovnih dni). Po potrditvi reklamacije, boste lahko poškodovan izdelek vrnili na stroške podjetja s priporočeno pošto. Odgovorni ste za carino in davke, ki ob tem nastanejo. Glow seven d.o.o. ne odgovarja za izdelke izgubljene med transportom.

TABLE OF CONTENTS

01	Important information	Page 10
02	General instructions	Page 11
	Before first use	
	Pre-baking	
03	What's in the box?	Page 12
04	Which fuel to use?	Page 13
05	Firing with wood	Page 13
06	Care instructions	Page 13
	Where should i store the oven?	
	How do i clean the oven?	
	How do i clean the cooking stones?	
	How do i turn off the glowen raptor?	
07	Troubleshooting	Page 14
	I notice a change in colour on the oven	
	I have too much ash in the fireplace	
	The oven temperature is too high	
	The oven temperature is too low	
	The cooking stone cracked	
08	Safe use	Page 16
09	Warranty	Page 17
10	Oven dimensions	Page 18

**IMPORTANT**

Your safety is most important, therefore read the attached instructions carefully and save them for later use.



Glöwen raptor is designed for outdoor use, therefore do not use it indoor.



Never use the oven without supervision.



Do not use the oven in strong wind.



Always use heat-resistant gloves when using the oven.



Do not put hands and other limbs inside the oven.



Do not touch the exterior of the oven when using it.



Blowing into the oven is strictly forbidden.



Keep children and animals away from the oven while using it.

GENERAL INSTRUCTIONS



BEFORE FIRST USE

Before starting with your culinary creations with the new Glowen Raptor oven, carefully read the instructions for use to familiarize yourself with the features of the oven and save them for any questions you may have later.



PRE-BAKING

Before the first use, fire up the oven and let it heating up at the highest temperature for at least 45 minutes. The process is called pre-baking. After that, allow the oven to cool down and wipe the inside with a dry cloth. This disinfection process will burn oils and coatings left over from the manufacturing process. In this step, it smokes harder from the oven, since it is necessary for the paint coatings to burn completely onto the oven. Now the oven is ready for cooking food.

The first step to delicious food is high quality fuel. Use only dry beech wood. However, when burning gas, always check the gas connections, tank, pipes and regulator to prevent any gas leaks.

Place the oven on a solid enough base to hold the oven and the necessary ingredients. We recommend metal and stone surfaces, but we definitely do not recommend the use of glass and plastic. If you want to change the type of fuel (from wood to gas or vice versa), it is essential to cool the oven before changing the burner.

If you need a lower temperature or just a little rest, you can simply lower the temperature in the oven by not adding fuel to the interior or just reducing the gas supply with the regulator.

It is recommended to clean and move the oven when it has cooled down (approximately 2 hours after the end of firing). It is essential to store the cold oven in a dry and airy place. Never use water to cool the oven.

WHAT'S IN THE BOX?**1. Oven**

The fully insulated main chamber retains all the necessary heat. Integrated non-slip feet ensure that the oven stands firmly and safely.

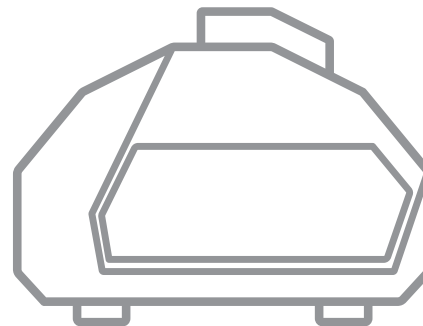
2. Cooking stone

Clay stone that retains the necessary heat.

3. Fireplace

The removable fireplace can be removed and cleaned after use.

1.



2.



3.



04 & 05 & 06

WHICH FUEL TO USE?

GLOWEN RAPTOR is designed for use with solid fuels such as wood, but also gas can be used with the addition of a gas burner. Choose the fuel that suits you best. The oven heats up super-fast and retains heat. The air circulation is the same as in real, masonry wood-burning ovens. The highest temperature is at the top of the chamber, the lowest where air enters the oven. Burn slowly and observe, and measure the temperature if necessary. Before you start cooking again, clean any ash residue with a brush.

FIRING WITH WOOD

The crackling of wood in a fire creates a special experience, and the smoke adds flavour to the dish. We recommend cooking with completely dry beech wood. For smaller aggressive burning, use smaller pieces of wood, for slower burning, larger ones. If burning for a long time, remove the ash to a metal bucket filled with water.

Never use treated or painted wood. Wood with a high proportion of resin, such as spruce and pine, can add unwanted flavours to dishes.

CARE INSTRUCTIONS

Where should I store the oven?

We recommend that you store the GLOWEN RAPTOR in a dry and closed place when not in use to protect the oven from various weather conditions.

How do I clean the oven?

Always wait for the oven to cool completely before cleaning. If necessary, clean the inside with a dry cloth. The outer surfaces can be wiped with a damp cloth and dried completely before storing the oven.

TROUBLESHOOTING

How do I clean the cooking stone?

Clean the cooking stone by firing the Glöwen Raptor oven at the highest temperatures. If you need to remove heavier food debris, use a brush. Make pizzas and dough-based dishes directly on the stone, other dishes in cast iron pans.

How do I turn off the Glöwen Raptor?

Allow the solid fuel inside the oven to completely burn off and wait for it to cool. Cooling also depends on the ambient temperature. Discard excess ash in a metal container filled with water. Do not use water to cool the oven.

With gas burners, you just turn off the gas.

It is perfectly normal for different fuels to produce different smoke. On the first pre-baking, the oven will smoke slightly differently due to the additional baking of the paint on the surface. After pre-baking, it will burn with minimal smoke during use. If the oven does not burn, the used fuel is unsuitable (for example, wet wood). Always store firewood in a warm and dry environment, as it strongly absorbs moisture. Wet firewood will not burn in a clean and efficient way, and you will not reach the desired temperature. Also make sure that the chimney has free airflow.

I notice a change in colour on the oven

Glöwen Raptor is made of high quality painted stainless steel. You can notice some colour changes - patina - on the steel after repeated heating cycles, but these do not affect the quality of the oven. Remember to store the oven in a dry and closed place.

I have too much ash in the fireplace

Ash is a natural residue in the burning of natural fuels. Excess ash that accumulates in the firebox can be removed with the peel in a metal container filled with water. When removing ash, use heat-resistant gloves to prevent possible injuries and burns.

The oven temperature is too high

Correcting with fuel is the easiest way to cool the furnace. If it is too hot in the oven, simply do not add any more fuel (wood) or reduce the flame with the gas regulator and wait for it to cool to a suitable temperature.

The oven temperature is too low

The Glowen Raptor needs to be heated for about 15 minutes on wood and a little longer on gas, depending on the firing method and the skills of the fireman. If the temperature is too low simply add fuel or increase the flame with the gas regulator.

Note: If your oven has been exposed to rain or extreme cold, heating may take longer.

The cooking stone cracked

The cooking stones are made of natural material and crack when exposed to a too high temperature too quickly. Pre-baking should be moderate. The stones are consumables and are not covered by the warranty.



If you have any questions or comments, email us at info@glowen.si

SAFE USE

- Glowen Raptor should only be used outdoors or in a well-ventilated area.
- Do not use the oven in a tent.
- Do not use the Glowen Raptor on enclosed balconies.
- Glowen Raptor is not suitable for use in vehicles or trunks.
- Place the oven on a flat, non-combustible surface with no residual combustible materials.
- Do not try to use the burners with other ovens. This will void the warranty.
- Do not use burners that are not part of the Glowen Raptor or unapproved third-party burners in the Glowen Raptor ovens.
- Do not remove burners during use.
- Before use, make sure that the burner is securely and correctly installed.
- Do not use treated, painted or fresh wood.
- Do not store flammable materials near the Glowen Raptor.
- Do not attempt to add flammable liquids into the oven during use.
- Always use heat-resistant gloves when using the Glowen Raptor oven.

WARRANTY

What does the warranty cover?

The warranty applies to the Glowen Raptor oven.

This warranty is not transferable and only applies to the original purchaser. An original invoice is required to enforce the warranty.

Glow seven d.o.o. guarantees that the products (hereinafter the product) will not have defects in workmanship and materials.

The warranty is valid for 2 years from the date of purchase. If Glow seven d.o.o. finds irregularities, the product or spare part will be replaced free of charge.

We ensure maintenance and provision of spare parts for the product within the statutory period (Article 18 of the Slovenian Consumer Protection Act).

What does the warranty not cover?

The warranty does not apply in cases where the customer has not complied with the enclosed instructions.

The warranty does not cover damage or defects resulting from normal wear and tear of the product, misuse, negligence, improper maintenance, accident or discolouration of the product. The warranty does not cover damage to the product due to use for purposes other than intended. It also does not apply if the product has been tampered with by an unauthorized or unprofessional person.

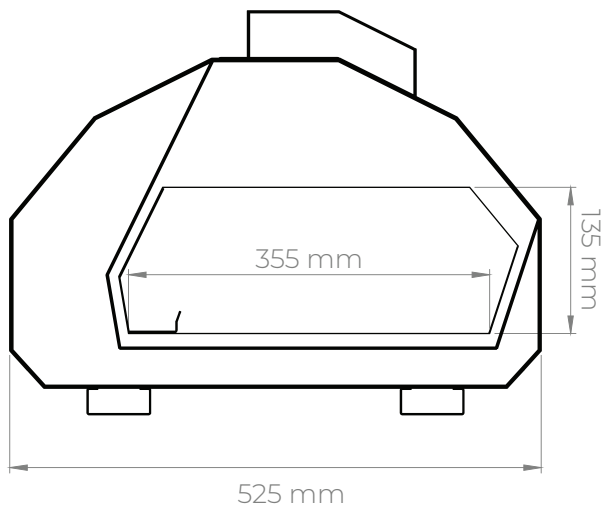
The warranty does not cover damage to products purchased at unauthorized points of sale, including third parties and retailers from Bolha, Amazon, E-bay websites.

The warranty does not apply to clay stones.

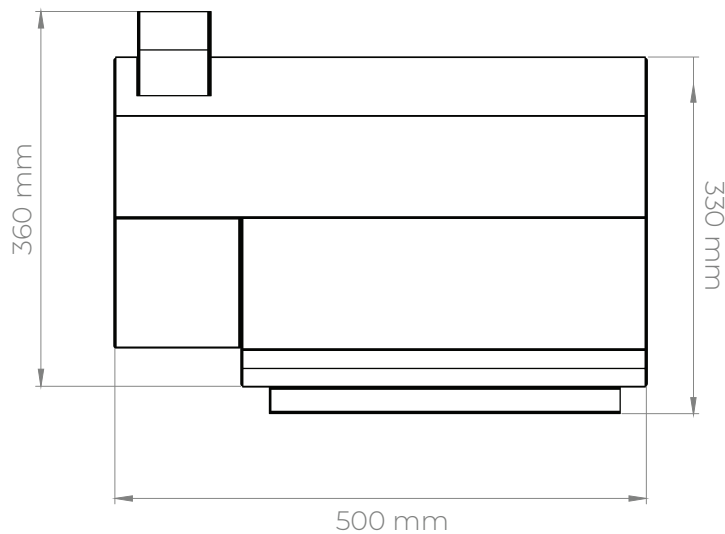
Warranty Claims

All warranty claims must be submitted directly to Glow seven d.o.o, namely to info@glowen.si with the subject "Warranty claim during the warranty period" with the original invoice attached and an explanation of the defect on the product. Incomplete returns will not be accepted. When Glow seven d.o.o. receives your warranty claim, it confirms or rebuts it (usually 7-10 business days). After confirming the complaint, you will be able to return the damaged product at the expense of the company by registered mail. You are responsible for the customs duties and taxes that arise. Glow seven d.o.o. is not responsible for products lost during transport.

DIMENZIJE PEČI / OVEN DIMENSIONS



Pogled spredaj / Front view



Pogled desna stran / Right side view



OSTANITE Z NAMI

Radi pogledamo, kaj ustvarjate v naših pečeh, zato lahko nas lahko prosto označite pri objavljanju svojih fotografij z **#glowen #glowenoven**

Spremljajte nas na naših omrežjih

 &  [glowenoven](#)



Če imate vprašanja ali komentarje, nam pišite na info@glowen.si

STAY WITH US

We love to see what you create in our ovens, therefore feel free to tag us when posting your photos with **#glowen #glowenoven**

Follow us on our social networks

 &  [glowenoven](#)



If you have any questions or comments, email us at info@glowen.si

www.glowen.si

