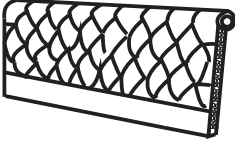

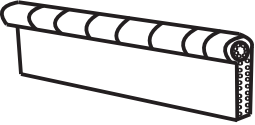



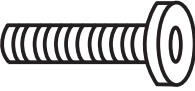
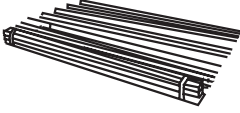
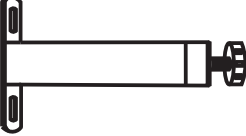


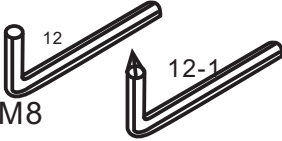

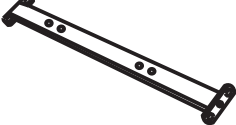



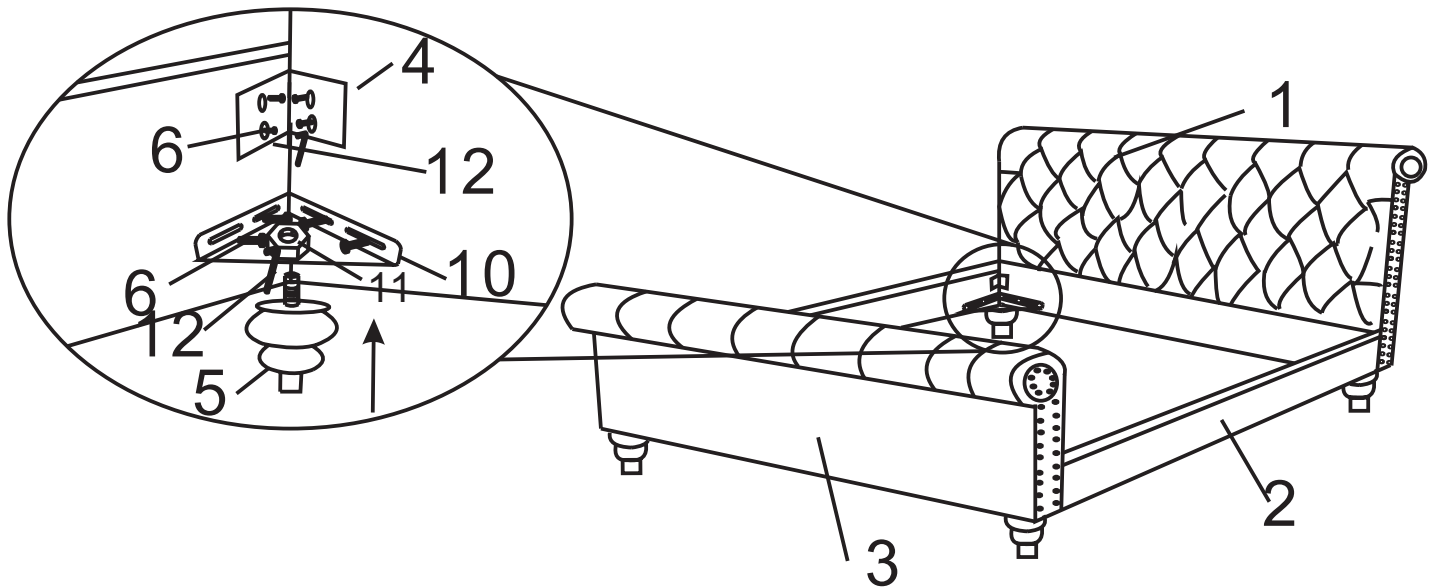
ASSEMBLY DIAGRAM

(QUEEN SIZE)

ASSEMBLY PARTS:

<p>① HEADBOARD--1PC</p> 	<p>② SIDE RAIL--2PCS</p> 	<p>③ FOOT BOARD--1PC</p> 	<p>④ ANGLE IRON--4PCS</p> 	<p>⑤ FEET--4PCS</p> 
<p>⑥ SCREW(2.5X0.8CM)--32PCS</p> 	<p>⑦ SCREW(4X0.8CM)--4PCS</p> 	<p>⑧ SLATS</p> 	<p>⑨ SUPPORT LEGS--2PCS</p> 	<p>⑩ ANGLE IRON--4PCS</p> 
<p>⑪ NUT 8PCS</p>  <p>M8</p>	<p>⑫ ALLEN KEY</p>  <p>M8</p>	<p>⑬ SPANNER 1PC</p>  <p>M8</p>	<p>⑭ CENTRAL SUPPORT RAIL--1PCS</p> 	<p>⑮ SCREW--24PCS</p> 

HAZARD WARNING!
KEEP SMALL COMPONENTS OUT OF THE REACH OF CHILDREN



ASSEMBLY DIAGRAM (KING SIZE)

ASSEMBLY PARTS:

