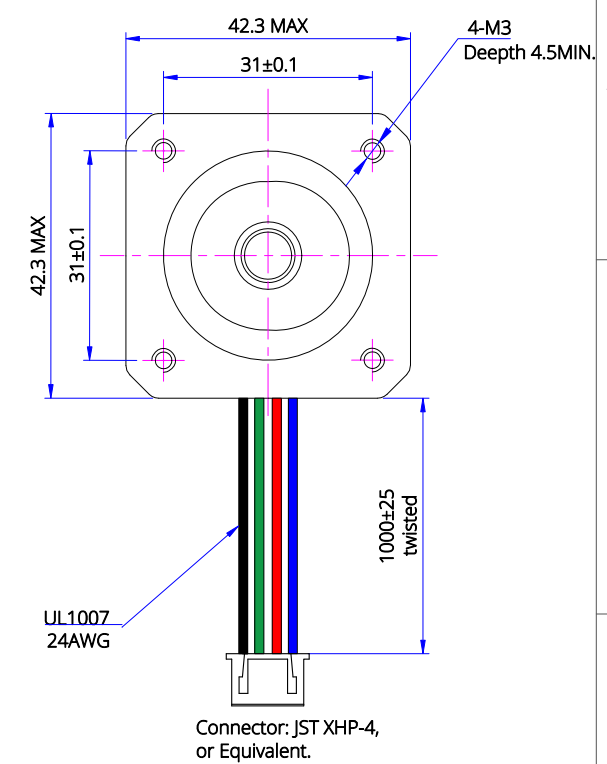
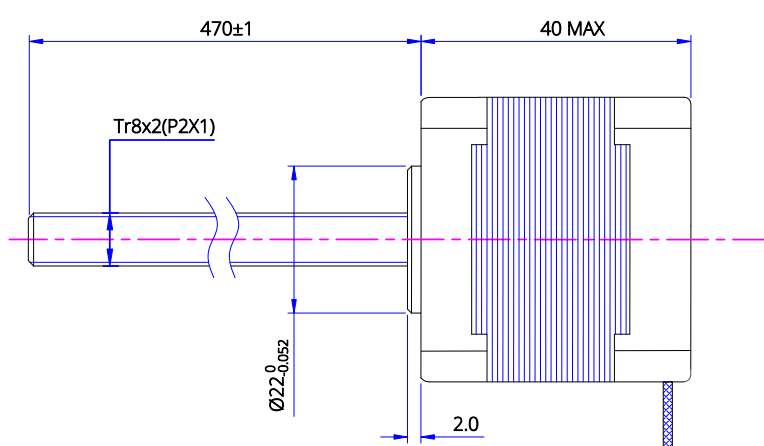
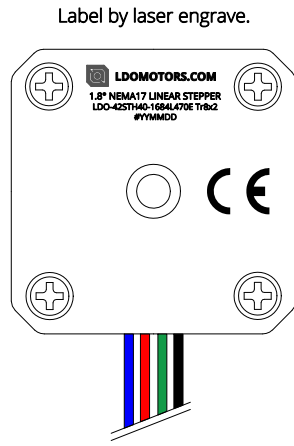


1 2 3 4 5 6

A

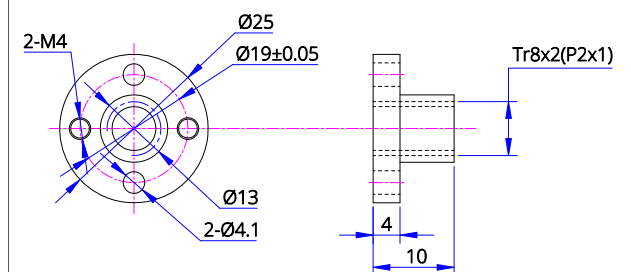


A

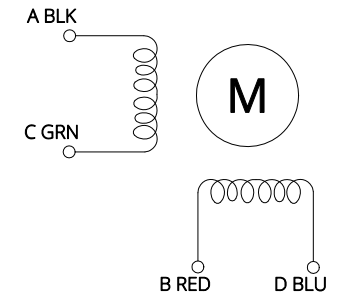
B

B

POM NUT



Diagram



C

C

Item	Specification	Item	Specification
Phase Number	2	Step Angle	$1.8^\circ \pm 5\%$
Rated Voltage	DC 2.8V / Phase	Rated Current	DC 1.68A / Phase
Phase Resistance	$1.65x(1 \pm 20\%) \Omega$	Phase Inductance	$4.1x(1 \pm 20\%) \text{ mH}$
Holding Torque	450mN-m MIN	Detent Torque	15 mN-m REF.
Rotate Direction	ACBDA CW	Insulate Resistance	100Mohm(DC500V)
HI-POT	AC600V/1mA/1S	Insulation Class	Class B 130°C
Rotor Inertia	54 g-cm ² REF	Weight	0.35 Kg REF

REV.	ECN NO.	DESCRIPTION	MADE BY	APPR. BY	DATE
A	---	NEW RELEASE	Xu SD	J.B.	6/16/23

	VIEW		LDO Motors Co., Ltd.		
	SCALE		Part NO.	NEMA17 Linear Stepper Motor LDO-42STH40-1684L470E	
DRAWN BY	CHECKED BY	APPR. BY	DATE	FACTORY CODE	SHEET NO.
Xu SD	J.B.	J.B.	6/16/23		1/1

1 2 3 4 5 6

D

D