

1

2

3

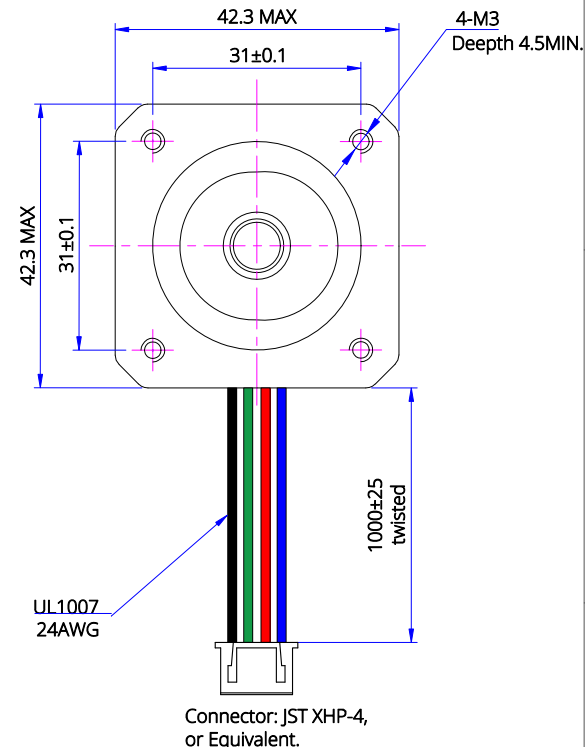
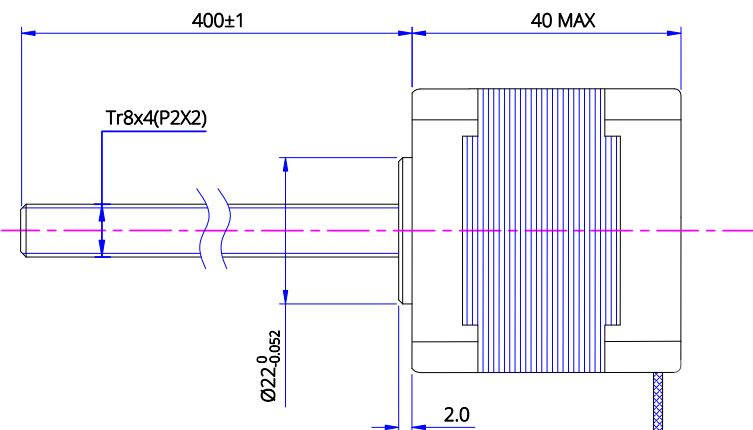
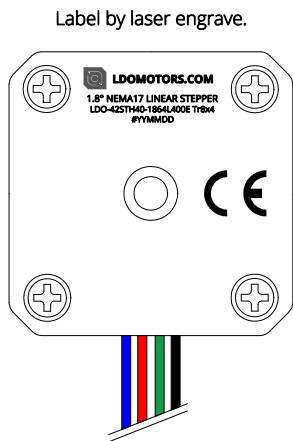
4

5

6

A

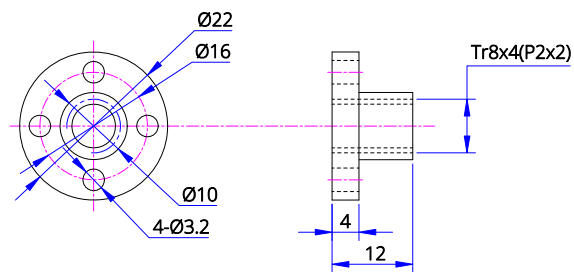
A



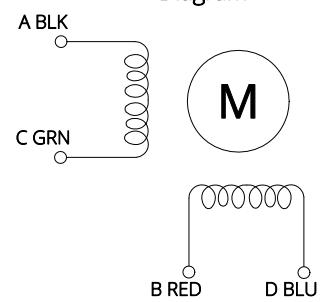
B

B

BRASS NUT
(No burrs, break all sharps)



Diagram



C

C

| Item | Specification | Item | Specification |
|------------------|--------------------------|---------------------|------------------|
| Phase Number | 2 | Step Angle | 1.8° ± 5% |
| Rated Voltage | DC 2.8V / Phase | Rated Current | DC 1.68A / Phase |
| Phase Resistance | 1.65x(1±20%) Ω | Phase Inductance | 4.1x(1±20%) mH |
| Holding Torque | 450mN-m MIN | Detent Torque | 15 mN-m REF. |
| Rotate Direction | ACBDA CW | Insulate Resistance | 100Mohm(DC500V) |
| HI-POT | AC600V/1mA/1S | Insulation Class | Class B 130°C |
| Rotor Inertia | 54 g·cm ² REF | Weight | 0.35 Kg REF |

| | | | | | | |
|----------|------------|-------------|--|--------------|-----------|---------|
| A | | NEW RELEASE | | Xu SD | J.B. | 7/26/23 |
| REV. | ECN NO. | DESCRIPTION | | MADE BY | APPR. BY | DATE |
| | | VIEW | LDO Motors Co., Ltd. Part NO. | | | |
| | | SCALE | NEMA17 Linear Stepper Motor LDO-42STH40-1684L400E | | | |
| DRAWN BY | CHECKED BY | APPR. BY | DATE | FACTORY CODE | SHEET NO. | |
| Xu SD | J.B. | J.B. | 7/26/23 | | 1/1 | |

1

2

3

4

5

6

D

D