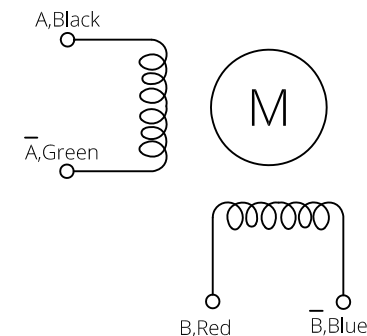


Diagram



Items	Specification	Items	Specification
Phase Number	2	Step Angle	1.8° ± 5%
Rated Voltage	DC 4.1V / Phase	Rated Current	DC 1.0A / Phase
Phase Resistance	4.1x(1±15%) Ω	Phase Inductance	11.5x(1±20%) mH
Holding Torque	480mN-m MIN	Detent Torque	20 mN-m REF.
Rotation Direction	A-AB-B CW	Insulation Resistance	100Mohm(DC500V)
HI-POT	AC600V/1mA/1S	Insulation Class	Class H 180°C
Rotor Inertia	62 g-cm ² REF.	Weight	0.28 Kg REF

A		NEW RELEASE		Xu SD	J.B.	8/28/20
REV.	ECN NO.	DESCRIPTION		MADE BY	APPR. BY	DATE
		VIEW	LDO Motors Co., Ltd.			
		SCALE	Part NO. 1.8° NEMA17 COOL POWER HT LDO-42STH40-1004ASH			
DRAWN BY	CHECKED BY	APPR. BY	DATE	FACTORY CODE	SHEET NO.	
Xu SD	J.B.	J.B.	8/28/20		1/1	