

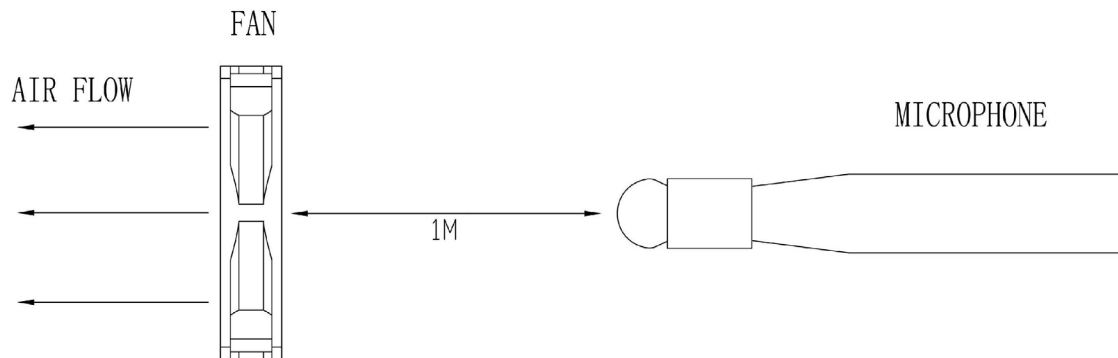


DREMC FAN 3010

SKU/Part No: DR-3010A-24T

| | Specifications |
|---|--|
| Rated Voltage | 24 VDC |
| Operating Voltage Range | 12-26.5 VDC |
| Input Current | 0.06(A) ± 15% |
| Input Power | 1.44(W) ± 10% |
| Speed | 13 000 (RPM) ± 10% |
| Max Air Flow | 5.1 CFM |
| Max Air Pressure | 9.05mm H2O |
| Noise Level | 38.9±10% dBA |
| Features | Auto Start, Tachometer Output(FG) |
| Fan Protections | Stall Protection (at specified rated voltage, the blade locked or closed with the circuit current maintained and keep within narrow range motor will be damaged within 72 hours) Polarity Protection (10 minutes with fan positive and negative reversed) |
| Insulation Resistance | Input 500VDC between the frame and positive electrode wire, the resistance not less than 10 MΩ. |
| Dielectrics Strength | Input 500AV 1 minutes between frame and wire positive electrode leakage current than 5ma |
| Insulated Class | Class A |
| Environmental Protection | CE ROHS |
| Operating Temperature & Humidity | -10°C ~ 70 °C 15-85% RH |
| Storage Temperature & Humidity | -40 °C ~ 80 °C 15-85% RH |
| Average Life Expectancy (L10) | At rated voltage, 40 °C, relative humidity of 15% ~ 65% RH, the average life expectancy of about 80,000 fans working hours |
| Bearing | Two Ball Bearing |
| Shaft | Stainless Steel |
| Weight | 10g |

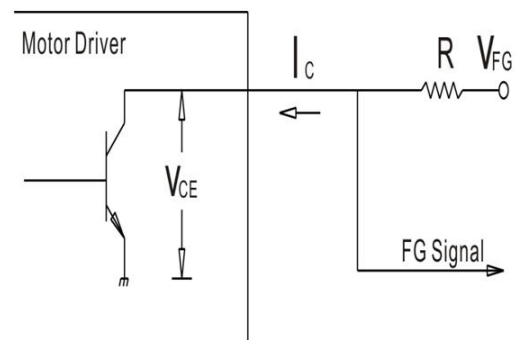
Noise Test:



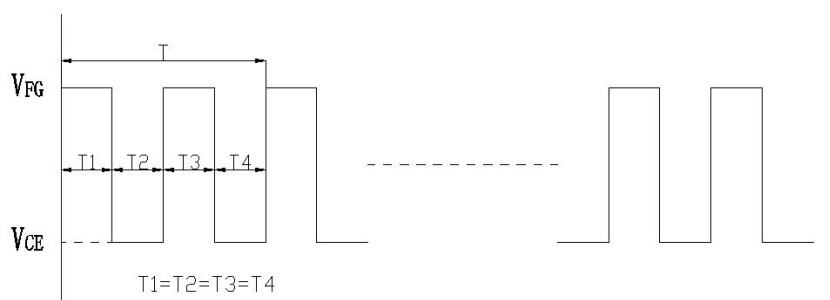
Test Conditions: In the background noise below 17dB (A) noise indoors, vertical rope fastened to the four corners of the fan, put the microphone 1Meter away from the fan centre where air flow input.

Tachometer Specification:

Application Schematic



Output Waveform



$$V_{CE}=0.5V(\text{Max.})$$

$$V_{FG}=\text{Maximum operating voltage}$$

$$I_c=5\text{mA}(\text{Max.})$$

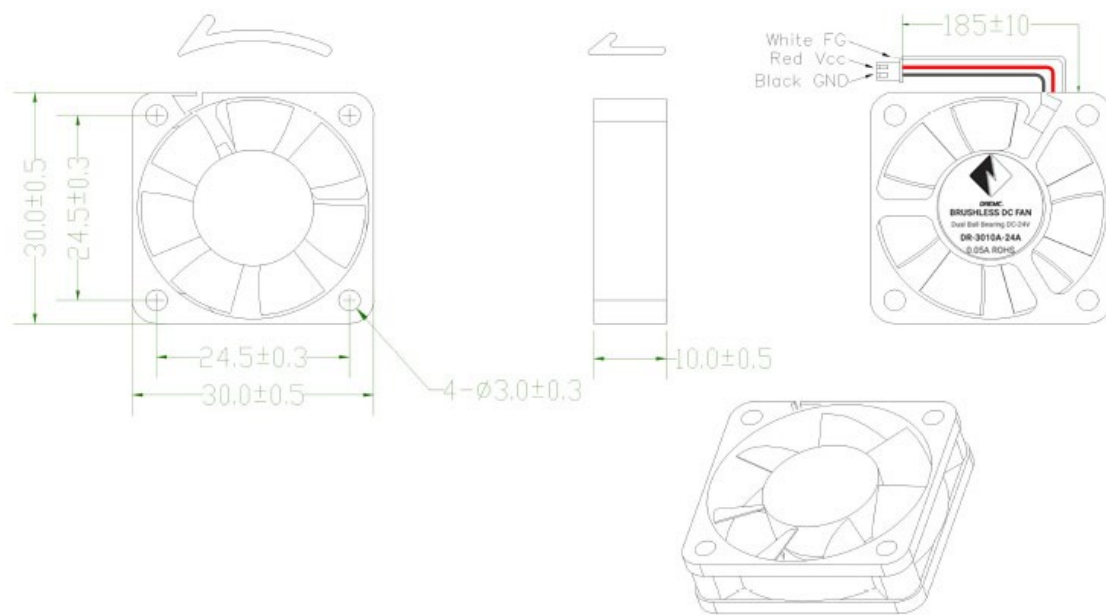
$$R \geq V_{FG} / I_c$$

$$N=(1/T)*2*60$$

$$N = (1 / T) * 2 * 60 / \text{Motor Pole of Pairs}$$

(N is speed in RPM; T is the fan running around the cycle, the unit)

Work Drawing:



General Disclaimer

- Improper installation may produce harsh resonance, vibration and noise, please reliable installation. Inappropriate inlet and outlet design will increase the fan noise stress
- Before connecting and disconnecting to determine the fan switch off the power/source, to avoid short circuiting of electronic components.
- Always observe the operating conditions and the environmental requirements indicated in this datasheet, unless special design, product performance during use due to dust, water, mist, corrosive may cause dramatically different operating performance and longevity gases, application defects
- The fans need to be used within the scope of specifications, such as your usage exceeds this limit which we may not offer any guarantee of products operating specifications.