

SPECIFICATIONS

- 1、 Current Rating: 9A AC, DC SEC:A-A
- 2、 Voltage Rating: 600V AC, DC
- 3、 Temperatuer Range: -25°C~+85°C
- 4、 Contact Resistance: 20mΩ Max
- 5、 Insulation Resistance: 1000MΩ Min
- 6、 Withstanding Voltang: 1500V AC/minute
- 7、 Material:Phosphoric bronze Tin-plated
- 8、 Applicable Wire Sizes:AWG#20~26#

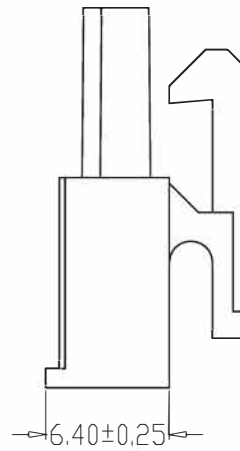
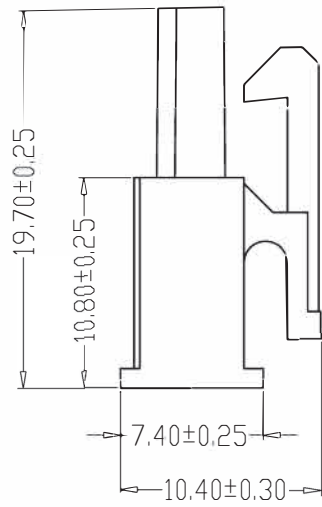
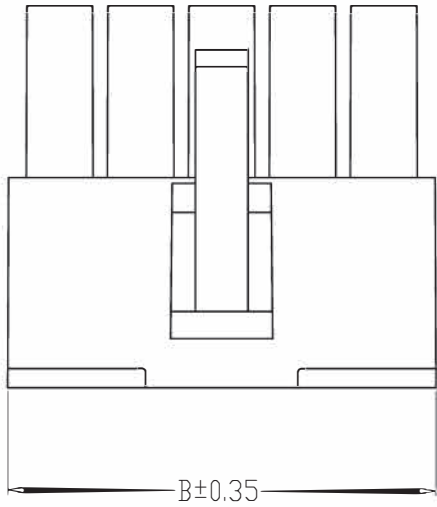
SEC:A-A

SEC:B-B

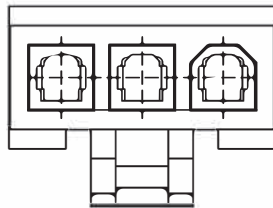
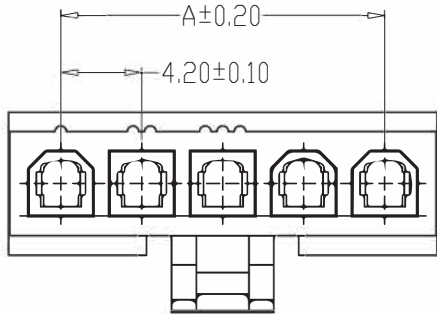
SEC:C-C

SEC:D-D

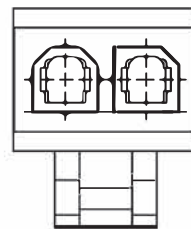
		GENERL TOLERANCE		DRAWING	2013、07、01	PART NO.	C4255-PT	REV.	A
		X.±0.25	X.'±2'						
		.X±0.20	.X'±1'	CHECK	2013、07、03	TITLE	5556端子	SHEET	1/1
		.XX±0.15	.XX'±0.5'	APPROVAL	2013、07、05	CUTM. NO.			
		.XXX±0.10	.XXX'±0.5'	UNITS	MM				



2P



3P



2P

SPECIFICATIONS

- 1、Current Rating: 9A AC, DC
- 2、Voltage Rating: 600V AC, DC
- 3、Temperatuer Range: -25°C~+85°C
- 4、Contact Resistance: 20mΩ Max
- 5、Insulation Resistance: 1000MΩ Min
- 6、Withstanding Voltang: 15000V AC/minute
- 7、Material:Nylon66, UL94V-0

SKU	Size (mm)	
	A	B
C4255-02P	4.20	9.60
C4255-03P	8.40	13.80
C4255-04P	12.60	18.00
C4255-05P	16.80	22.20

D ION		GENERAL TOLERANCE		DRAWING	2013、07、01	PART NO.	C4255-NP		REV.	A
		X.±0.25	X.±2°	CHECK	2013、07、03	TITL	5557			
		.X±0.20	.X±1°	APPROVAL	2013、07、05	CUTM. NO.				
		.XX±0.15	.XX±0.5°	UNIT	MM	Scale	1:1			
		.XXX±0.10	.XXX±0.5°							