



PDS40

Power Drive Straddle Truck

SHORT TURNING RADIUS MAKES
THE PDS AN EXCELLENT CHOICE
FOR NARROW AISLES, TOOL ROOMS
OR STREET LOADING APPLICATIONS



CAPACITY

1800kg at 600mm load center

BATTERY

Compartment: 803mm x 333mm x open
Anderson 175 Gray, position A-11
Minimum battery weight 494mm.

SPEED

TRAVEL

Variable from 0 to 5.5 km/h empty
Variable from 0 to 5 km/h loaded

LIFT

Up to 0.2 m/s empty.
Up to 0.16 m/s loaded—1800kg

LOWERING

Up to 0.15 m/s empty.
Up to 0.3 m/s loaded—1800kg

WEIGHT

1190kg Chassis Only

TIRES / WHEELS

DRIVE

230 x 75 polyurethane

DUAL LOAD

(2) 102 x 73 polyurethane

HYDRAULICS

Lift cylinder has hard chrome plated rods. Pump unit including motor, solenoid, gear pump, and pressure compensated lowering valve are mounted high in the power compartment for ease of service.

ELECTRICAL

24-Volt ZAPI AC O inverter, travel control with matching drive motor provide high performance throughout the entire speed range. Travel speed remains constant relative to throttle position regardless of load. Separately fused power control circuits, quick disconnect EPD power cut off, and hour meter / battery discharge indicator combination gauge complete the system. Power configurations and diagnostic features are displayed with a ZAPI handheld console.

BRAKES

Electromagnetic brake is mounted on the motor armature shaft multiplying the braking power through the drive transmission.

Brake is applied when the control arm is in the vertical or horizontal handle position. System features anti-roll back and neutral braking.

CONTROLS

Travel, lift, and lower functions are located in the ergonomic operator handle. All operator controls are accessible without having to lift the hand from the handle.

Angle grips are designed to allow easy operation with either hand. Wrap around guard, reversing switch, thumb control, and horn are standard.

Top mounted tiller arm offers excellent operator comfort and minimum steering effort. Gas assisted spring gently returns handle to vertical position.

TRANSMISSION

Vertically mounted drive motor is direct mounted to gear housing. Oil bathed bevel gear drive train with tapered roller bearings transfers power to axle. State of the art optimized gear technology supplies advantages such as zero maintenance, low noise level, high efficiency and high performance.

FRAME AND MAST

Bolt-on high visibility mast, features I-beam construction, with lift cylinders positioned on the outer I-beam for best view through mast. Dual lifting chains.

Fixed straddle leg inside dimension (ID) can be set at 1070mm or 1270mm. Four inch wide straddle legs = ID + 203mm

Class two ITA fork carriage with 915mm tall load back rest. Forks are adjustable from 203mm ID to 787mm OD

BEARINGS

DRIVE WHEEL-Tapered roller bearings sealed in oil bath

LOAD WHEELS-Sealed ball bearings

ACCESSIBILITY

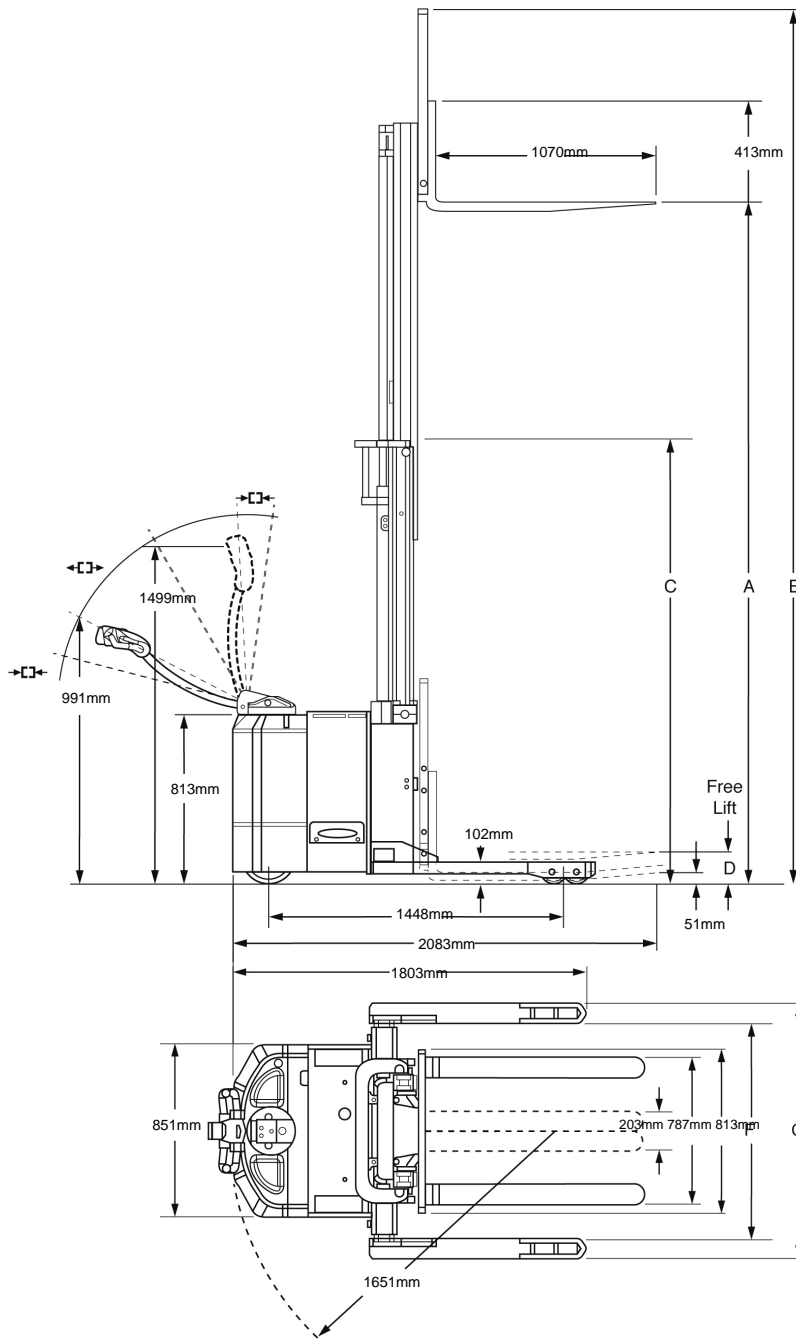
Removal of two piece power head cover exposes major components for inspection and maintenance

STANDARD EQUIPMENT

- Regenerative Braking
- Creep Speed Handle Control
- Gas Assist Spring Handle
- Low Battery – Interrupt
- Hour Meter BDI Combo Gauge
- Key Switch

OPTIONAL EQUIPMENT

- 1220mm tall load backrest
- Cold conditioning
- Side-Shifting Fork Carriage
- Battery 510 AH 11.9 kwh

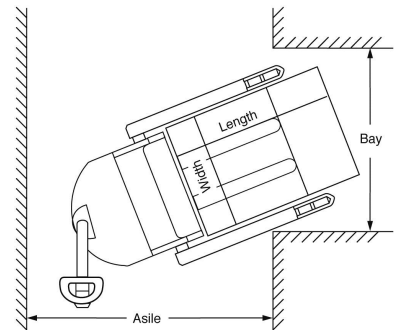


Aisle Guide

PDS40 - Right Angle Stacking

Load Width	Load Length		
	915mm	1016mm	1220mm
915mm	2019mm	2019mm	2019mm
1016mm	2045mm	2045mm	2045mm
1220mm	2045mm	2045mm	2045mm

For ease of use add 203mm to aisle dimension listed. If sideshift option is used add 51mm.



Aisle dimensions listed above assume the minimum bay width to be straddle OD plus 127mm (64mm on each either side of straddle leg). Straddle OD is the load width plus 254mm. Truck performance may vary due to application re-quirements' and changes in model design.

Model #	Mast	Lift Height	Col Height	Free Lift	Ext Height w/LBR	Fixed Straddle Leg		**Weight Chassis Only
		A	C	D	E	F	G	
1800kg Capacity								
PDS40-104	Two Stage	2642	1842	152	3556	1070or1270	1270or1473	961
PDS40-126	Two Stage	3200	2121	152	4115	1070or1270	1270or1473	1015
PDS40-157	Three Stage	3988	1829	1270	4902	1070or1270	1270or1473	1140
PDS40-177*	Three Stage	4496	2032	1473	5410	1070or1270	1270or1473	1190

* Derates 680 kg above 4115mm

** Estimated shipping weight without battery