



# LPT26

## Lithium Pallet Truck

Multiple patents awarded & pending



**CAPACITY** 1200kg

### EASY EXCHANGE LITHIUM ION BATTERY

24-volt 20AH rechargeable  
110VAC 10A plug-in external charger

### DRIVE AND TRAVEL CONTROLS

24-volt **Curtis** travel control with permanent magnet drive motor.

Variable speed from 0 to 4.5 km/h empty  
Variable speed from 0 to 4 km/h loaded

### WEIGHT

131kg with battery

### TIRES

Drive (1) 210x70 polyurethane  
Load (2) 80x60( 74x88) polyurethane

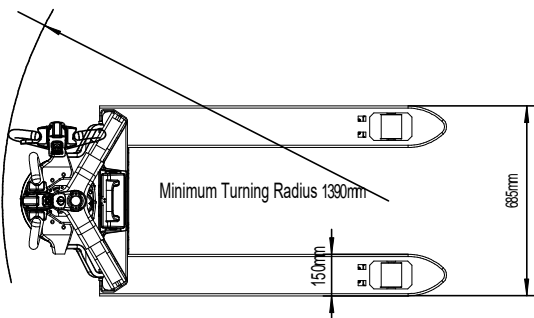
**OPTIONAL:** Traction drive tire available

### FORKS

685mm OAW x 1150mm OAL  
Designed for use with standard 1220mm pallets and other common skids and containers. Forks can achieve a maximum elevation of over 191mm and are shaped at the load wheel housings for pallet entry and exit without need or wearable rollers.

### CONTROL HEAD

Travel, lift, and lower functions are located on the ergonomic control head. All operator controls are accessible without having to lift one's hand from the loop handle. The control head is designed to allow easy operation with either hand and includes a belly button reversing switch, dual butterfly travel controls, horn, battery discharge indicator and manual lowering control for quick and efficient operation. The low mounted tiller arm offers excellent operator comfort and minimum steering effort.



### HYDRAULICS

DC pump and chrome plated cylinder provide for smooth and efficient lifting.

### ELECTRICAL

Water resistant connectors and shrouded wiring harness supply power reliably to components. System includes a key fob, emergency power disconnect and on-board dock for Easy Exchange Battery.

### BRAKES

Electromechanical brake provides good stopping power when handle is upright or lowered beyond the operating range.

### SERVICEABILITY

Removable covers and modular design of components provides for easy maintenance with simple hand tools. Two piece drive wheel reduces complexity of tire changes.

### DUTY CYCLE

Revolutionary Easy Exchange Battery delivers up to 3 hours of operation and can be fully charged within 2 hours. Optional extra batteries can be purchased to extend run time or to serve as a reliable back-up.

