



TSAR BOMBA

Making transformation more reachable!



TSAR BOMBA

# MODULAR SERIES CHIVALRY

## INSTRUCTION MANUAL



TSAR BOMBA



Get on the road to adventure  
and make a Break-Through

TSAR BOMBA

# CHIVALRY SERIES >

The world's first four-dimensional quick-release watch.  
Be a pioneer, break from tradition.  
Fully customizable bezel, crown, strap and buckle.  
Strict quality control combined with meticulous craftsmanship.  
Making transformation more reachable!

## Instructions For Quick Installation/Disassembly

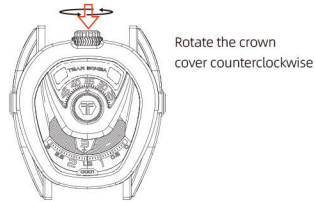
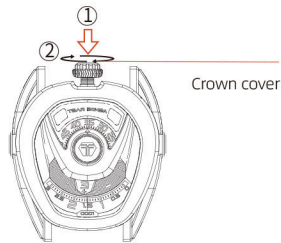
### 1 CROWN

#### Installation:

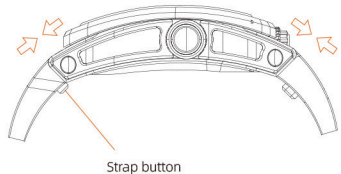
1. Put the crown cover on the crown.
2. Rotate it clockwise for 5 turns.
3. Press the crown firmly.
4. Turn the crown clockwise again until it is locked.

#### Disassembly:

1. Remove the watch strap from the crown position.
2. Press the crown firmly and rotate the crown cover counterclockwise for 1 turn.
3. Rotate the crown counterclockwise again to remove the crown cover.



### 2 STRAP



#### Installation:

1. Align it with the corresponding notch on the watch and insert it.
2. Hold the button below the strap.
3. After completion, release the button and gently pull the strap to check if it is securely installed.

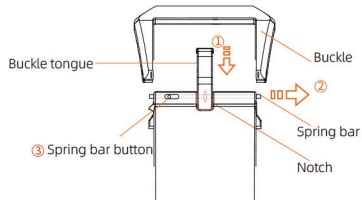
#### Disassembly:

1. Press the strap button to remove the strap.

#### Note:

The long strap should be installed at the 6 o'clock position and the short strap at the 12 o'clock position.

### 3 BUCKLE



#### Installation:

1. Insert the buckle tongue into the notch.
2. Insert the spring bar through the buckle tongue.
3. Slide the spring bar button to complete the installation of the buckle.

#### Disassembly:

1. Slide the spring bar button and take off the buckle.
2. Slide the button to take the spring bar out of the strap.
3. Remove the buckle tongue.

### 4 BEZEL

#### Installation:

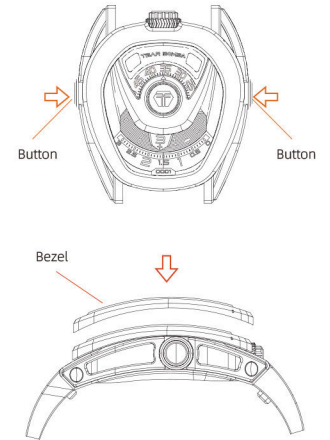
1. Simultaneously press the buttons on the left and right sides of the watch.
2. Place the bezel on the watch & push it so that it can align with the grooves & set in place.
3. After installing the bezel on the watch, release the buttons.
4. Check if the bezel is securely installed.

#### Disassembly:

1. Simultaneously press both buttons to remove the bezel.

#### Note:

The pictures in the manual are for reference only. Please refer to the actual product for details.



## TSAR BOMBA Installation Tutorial:

### AUTOMATIC WATCH

An Automatic Watch is a mechanical watch that winds itself and does not require a battery. When worn daily, the movement of your wrist causes the mainspring to wind progressively, eliminating the need for additional winding.

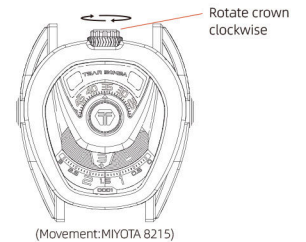
### 1 Winding Instructions

#### Manual winding:

Rotate crown clockwise at normal position a minimum of 55 times.

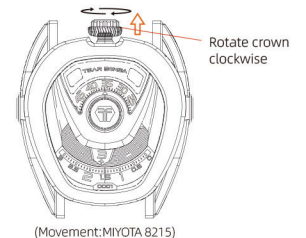
Machine winding: Full wind up conditions are Rotary speed : 30 rpm.

Operating time : 60 minutes.

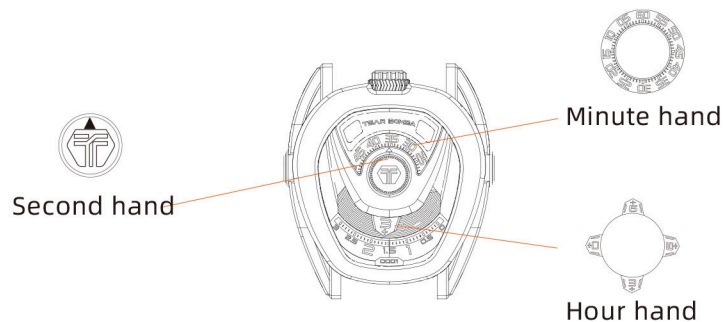


### 2 Time Settings

1. Pull out the crown to the second click position.
2. Turn the crown to set minute and hour hands.
3. Push the crown back into the normal position.



### 3 Time interpretation



### 4 Innovative reading time

#### Reading hours:

1. Add the number on the pointer to the number pointed by the pointer.



Hour hand: 6+1= 7 Hours

#### Reading Minutes:

The number pointed to by the minute hand indicates the number of minutes.



Minute hand: 30 Minutes

Combine the two to get the current time as 7:30



05:00



07:30



00:45

## Daily Care

### TEMPERATURES

The key components in mechanical watches are made of metals, which expand or contract depending on temperatures due to metallic properties. This exerts an effect on the accuracy of the watches. Mechanical watches tend to lose time at high temperatures while they tend to gain time at low temperatures.

### PERIODIC CHECK

It is recommended that the watch be checked once every 2 to 3 years by an AUTHORIZED TSAR BOMBA DEALER or SERVICE CENTER to ensure that the case, crown, gasket and crystal seals remain intact.

### PRECAUTION REGARDING CASE BACK PROTECTIVE FILM

If your watch has a protective film and/or a sticker on the case back, peel them off before using your watch.

### MAGNETISM

Your watch will be adversely affected by strong magnetism. Keep it away from close contact with magnetic objects.

### SHOCKS & VIBRATION

Be careful not to drop your watch or hit it against hard surfaces.

### CHEMICALS

Be careful not to expose the watch to solvents, mercury, cosmetic spray, detergents, adhesives or paints. Otherwise, the case, bracelet, etc. may become discolored, deteriorated or damaged.

### CARE OF CASE AND BRACELET

To prevent possible rusting of the case and bracelet, wipe them periodically with a soft dry cloth.

Non-professionals should not open the back case or disassemble the watch. If there is such a situation, the faults caused will not be covered under our warranty.

### Contact us

If you have any product-related questions or any other queries, you can send questions to [support@tsarbomba.com](mailto:support@tsarbomba.com) and we will provide you with professional & satisfactory answers.

TSAR BOMBA OFFICIAL WEBSITE: [WWW.TSARBOMBA.COM](http://WWW.TSARBOMBA.COM)

MAKING TRANSFORMATION MORE REACHABLE.....