



ASSEMBLY INSTRUCTIONS

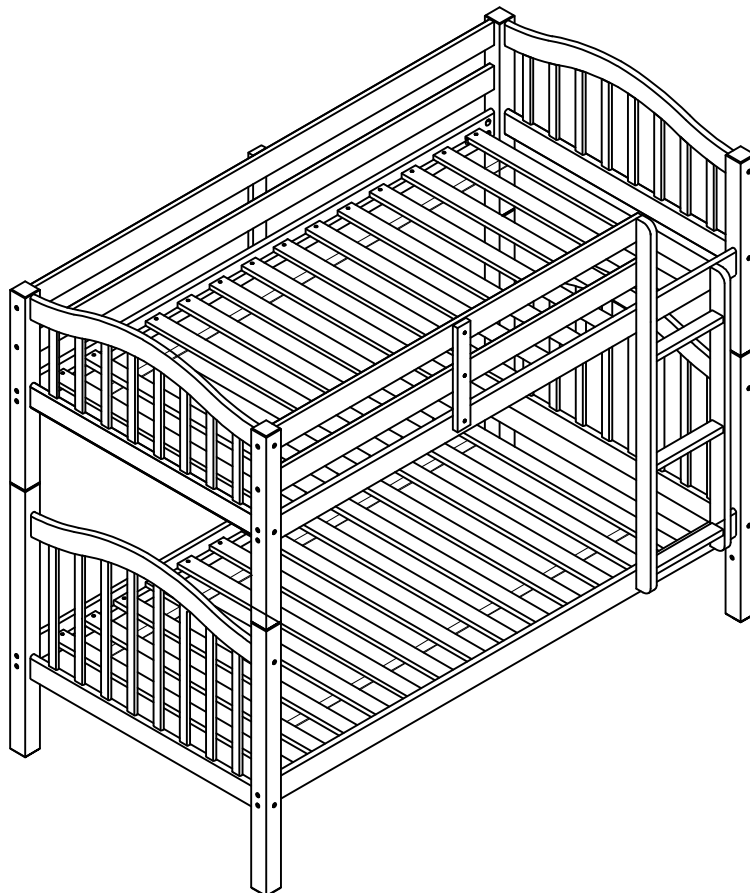
Item No: #02354

#02359

#02554








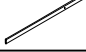



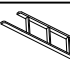
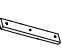
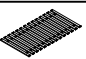
*** Thank you for purchasing this quality product. Be sure to check all packing materials carefully for small parts which may have come loose inside the carton during shipment. Identify and count all parts and compare with parts list below.

*** Assemble product on a flat, soft surface such as a carpet or cloth to prevent scratching the finish. Read all instruction and study the drawings carefully before starting the assembly process.


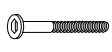

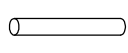





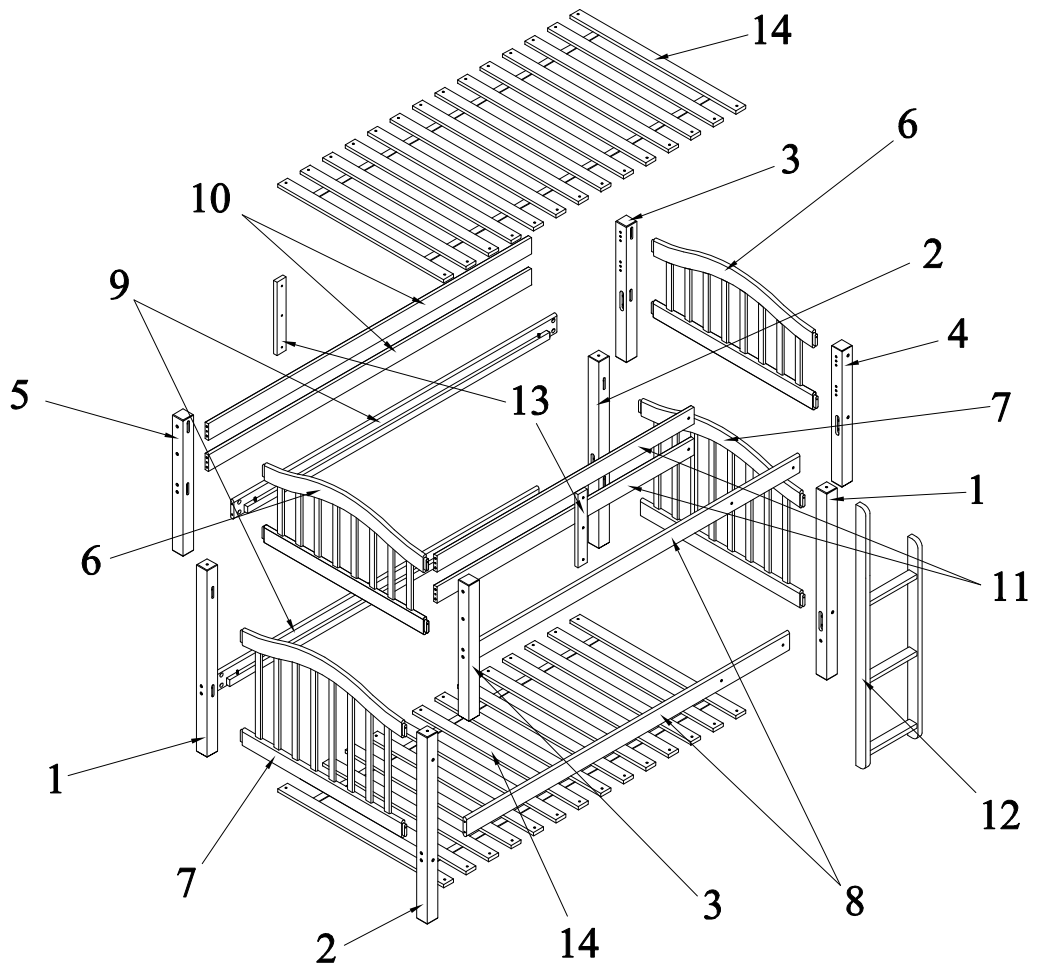
IMPORTANT: Do not tighten bolts completely until all bolt are completely lined up and inserted into holes

PARTS LIST

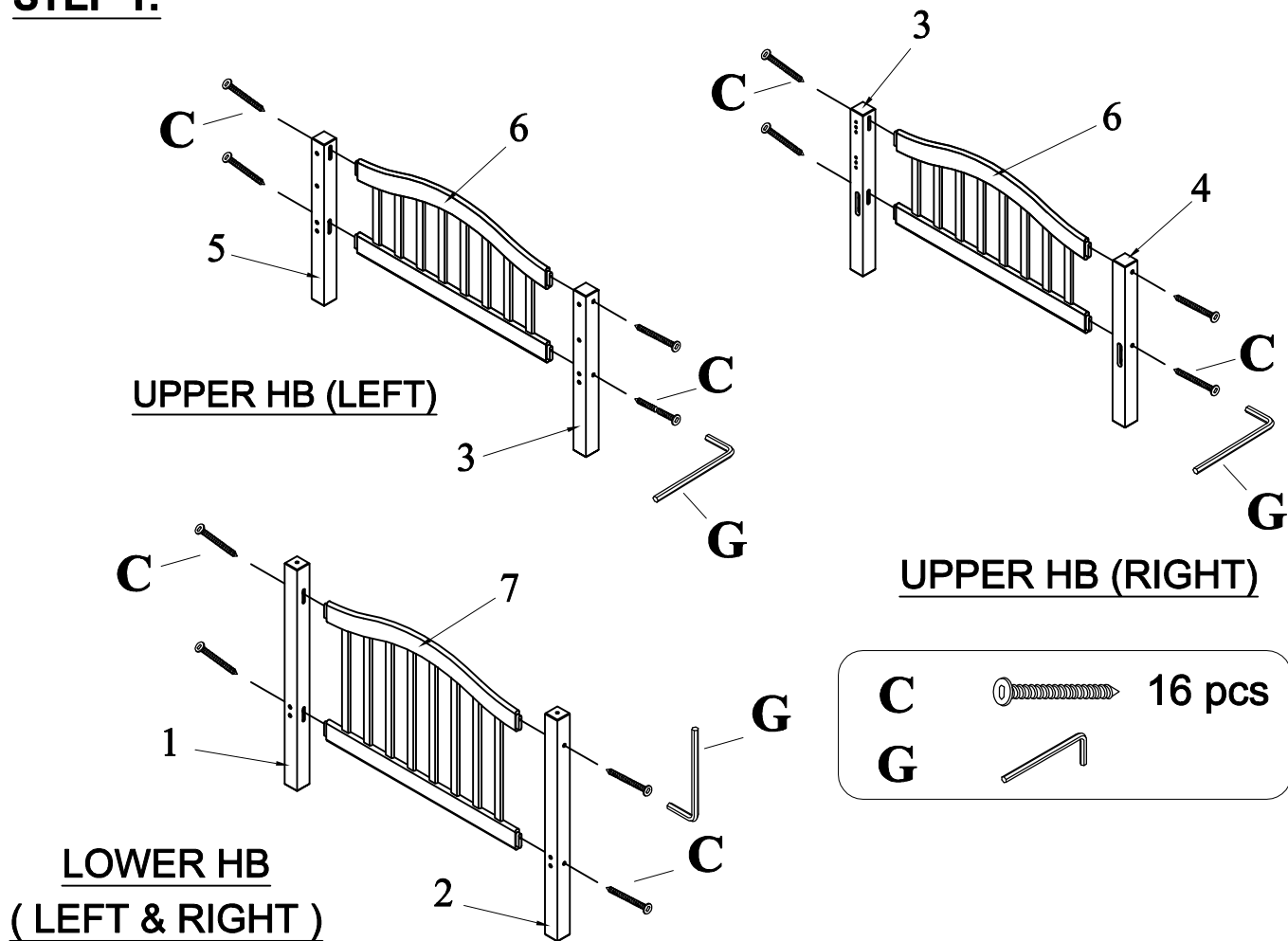
NO.	DIAGRAM	PART NAME	Q'Ty
1		Lower Post	2 pcs
2		Lower Post	2 pcs
3		Upper Post	2 pcs
4		Upper Post	1pc
5		Upper Post	1pc
6		Upper H.B Frame	2 pcs
7		Lower H.B Frame	2 pcs
8		Lower and Upper Front Rail	2 pcs
9		Lower and Upper Back Rail	2 pcs
10		Long Guardrail (Back)	2 pcs
11		Short Guardrail (Front)	2 pcs
12		Completed Ladder	1pc
13		Guardrail Support	2 pcs
14		Completed Twin Slat (14pcs/1set)	2 pcs

HARDWARE LIST

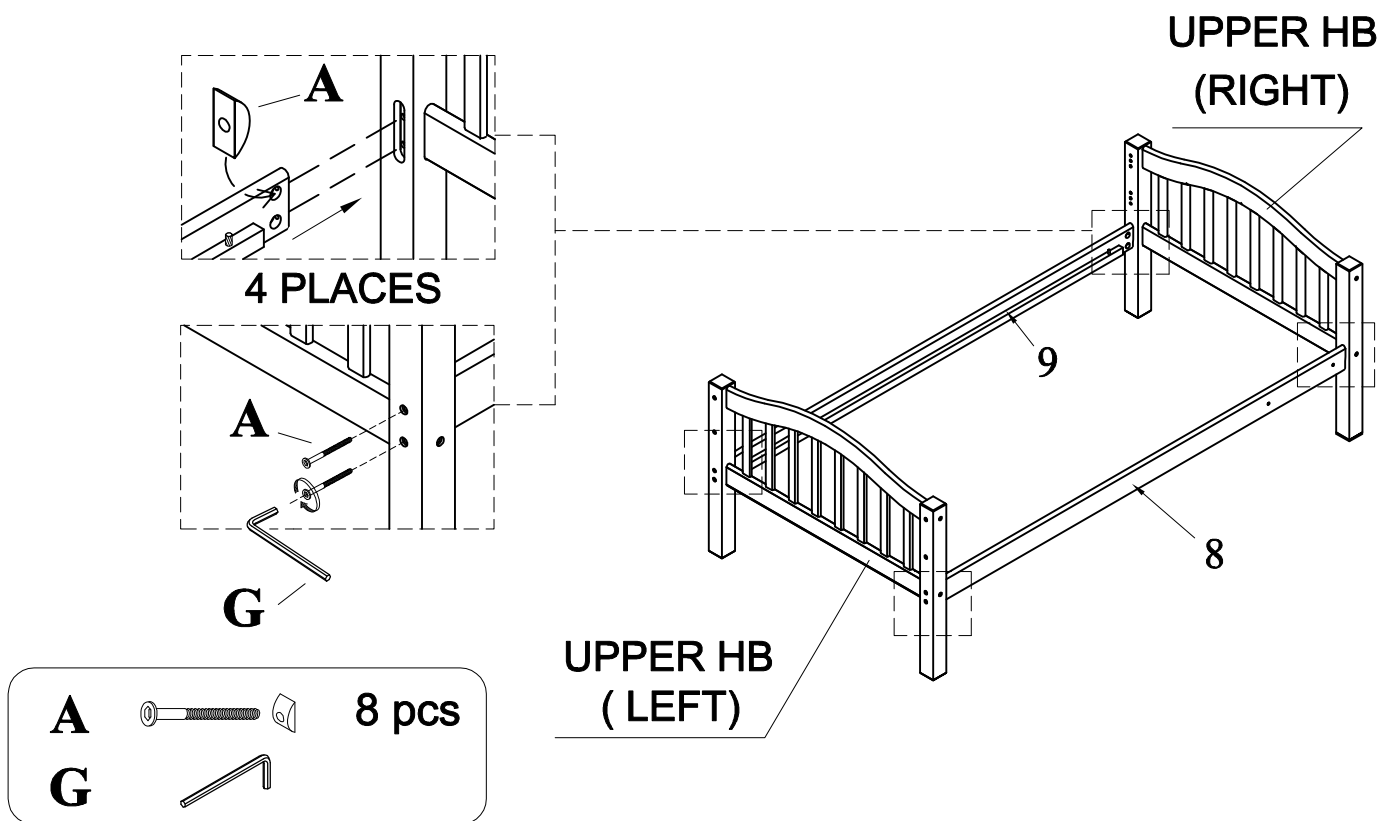
NO.	DIAGRAM	PART NAME	Q'Ty
A		Bolt: 6.3 * 100 (mm) Half Round Nut	16 sets
B		Short Bolt 6.3 x 40 (mm)	6 pcs
C		Long Screw Bolt 7 x 100 (mm)	22 pcs
D		Metal Dowel 9 x 9 x 90 (mm)	4 pcs
E		Wood Dowel 10 x 40 (mm)	12 pcs
F		Screw: 4 * 30 (mm)	62 pcs
G		Allen Key (M4)	1 pc



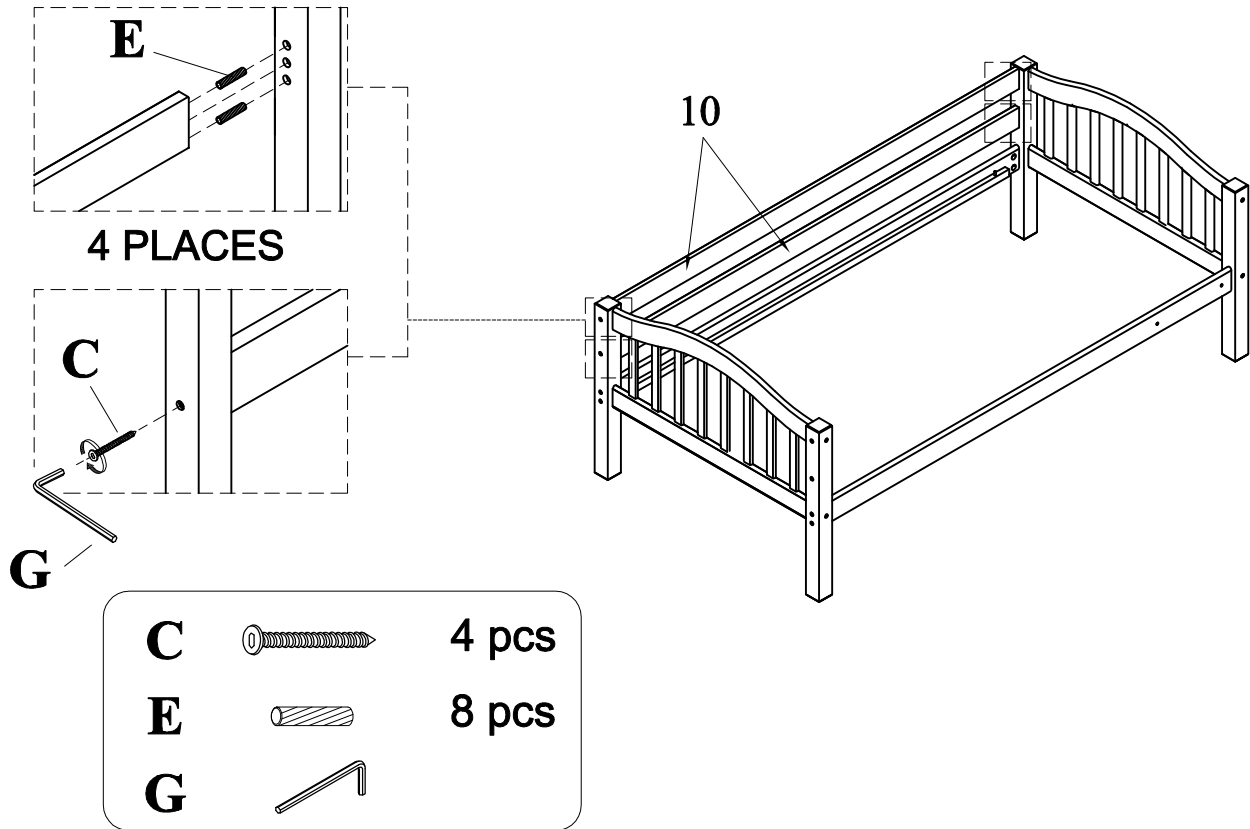
STEP 1:



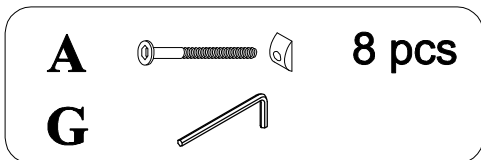
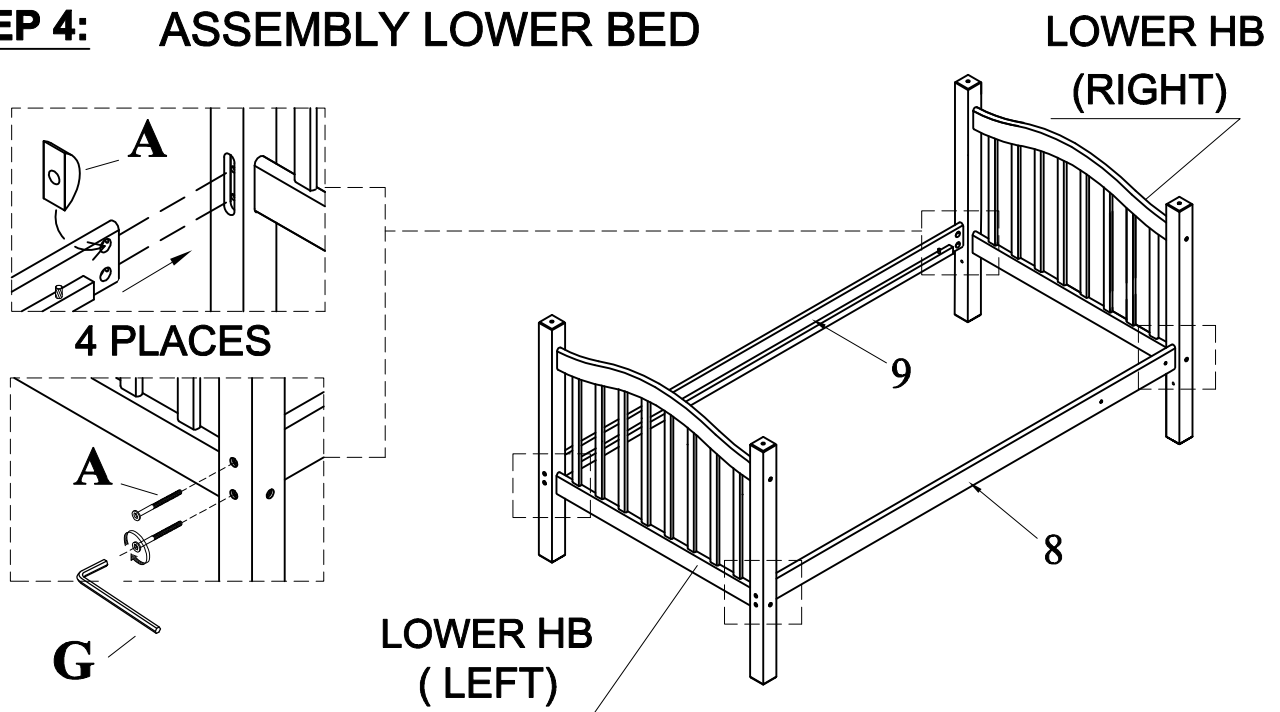
STEP 2: ASSEMBLY UPPER BED



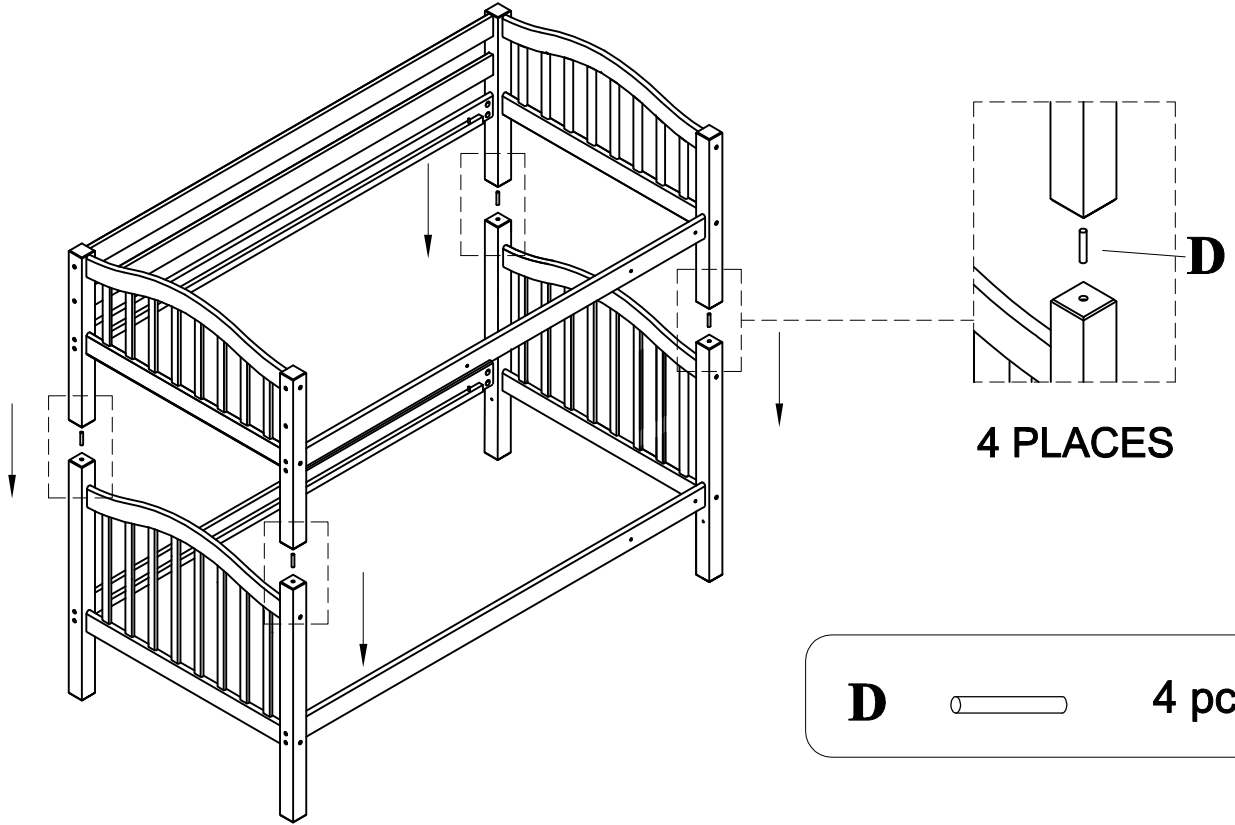
STEP 3: ASSEMBLY LONG GUARDRAIL - 2PCS



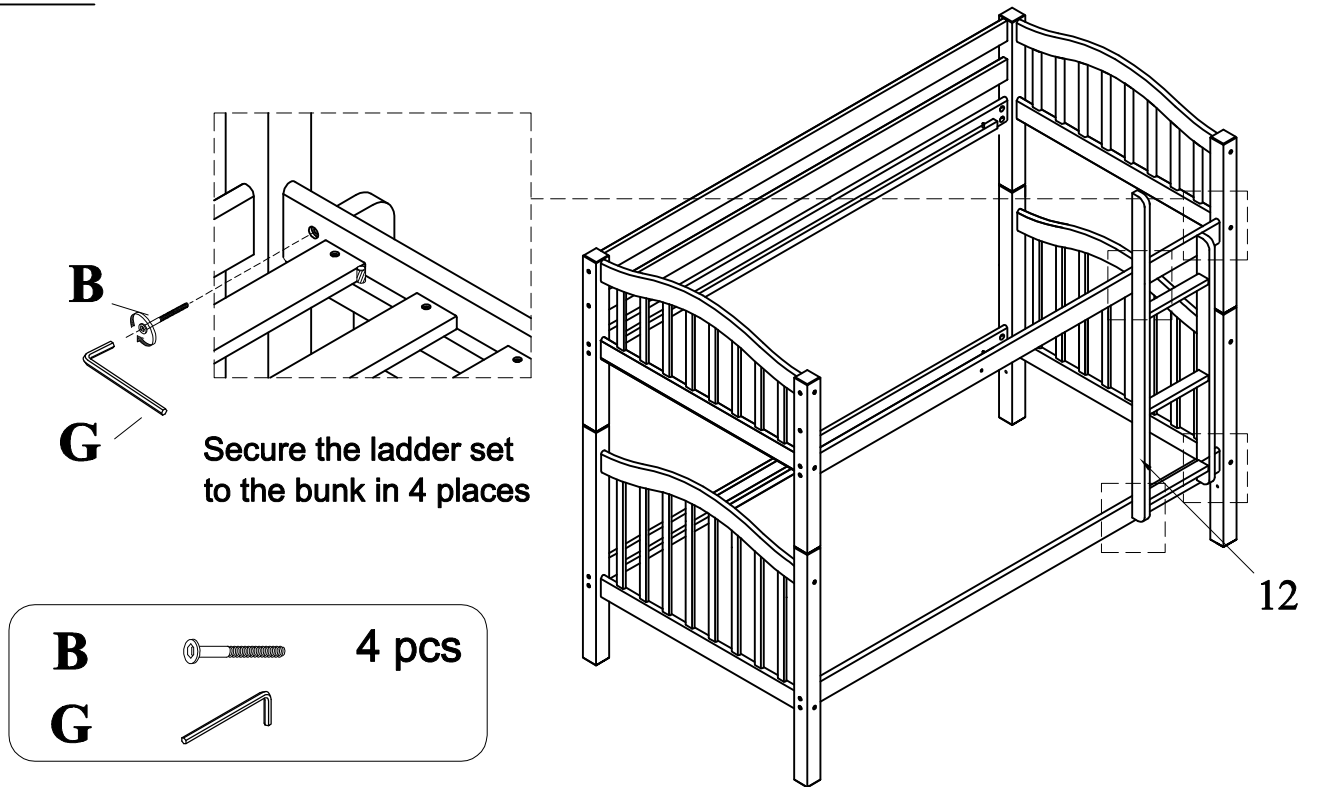
STEP 4: ASSEMBLY LOWER BED



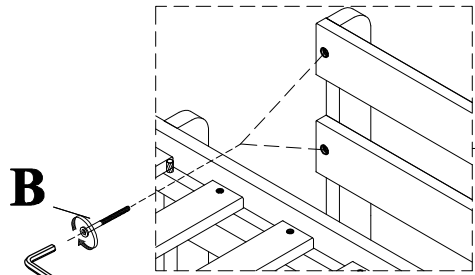
STEP 5: UPPER & LOWER BED ASSEMBLY



STEP 6: COMPLETED LADDER ASSEMBLY



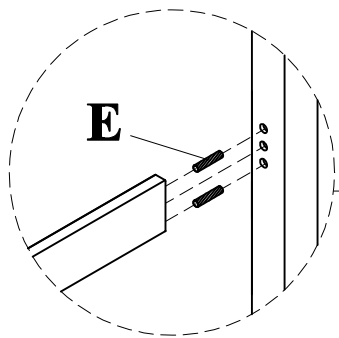
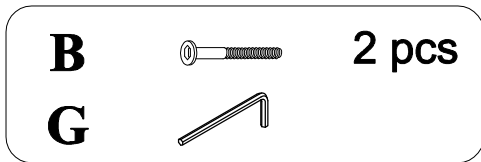
STEP 7: ASSEMBLY SHORT GUARDRAIL - 2PCS



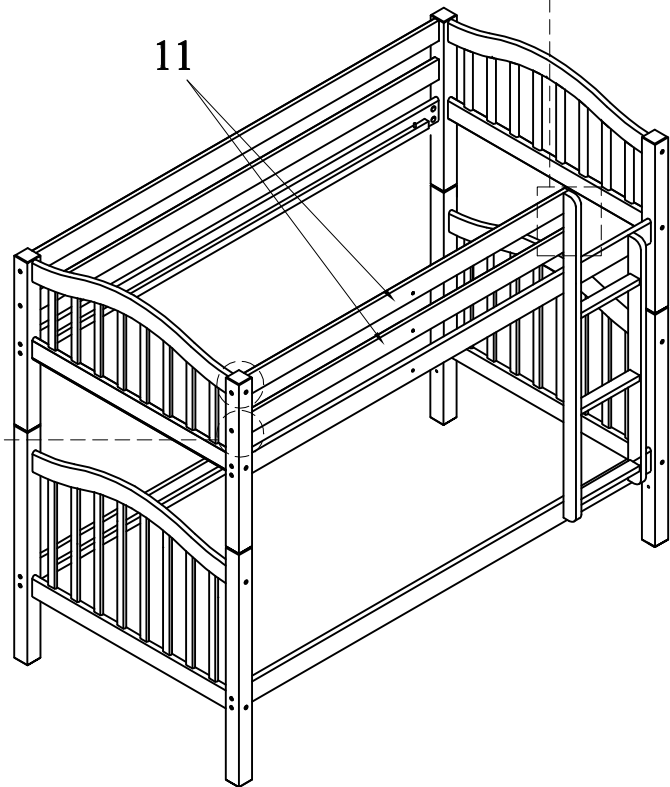
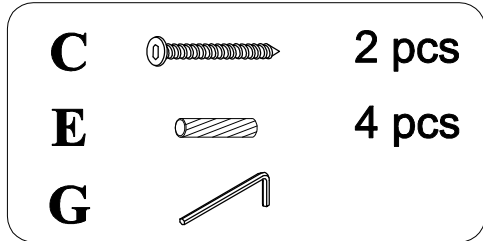
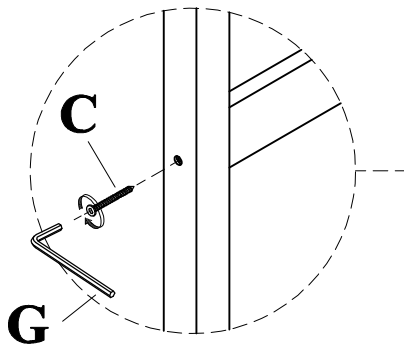
B

G

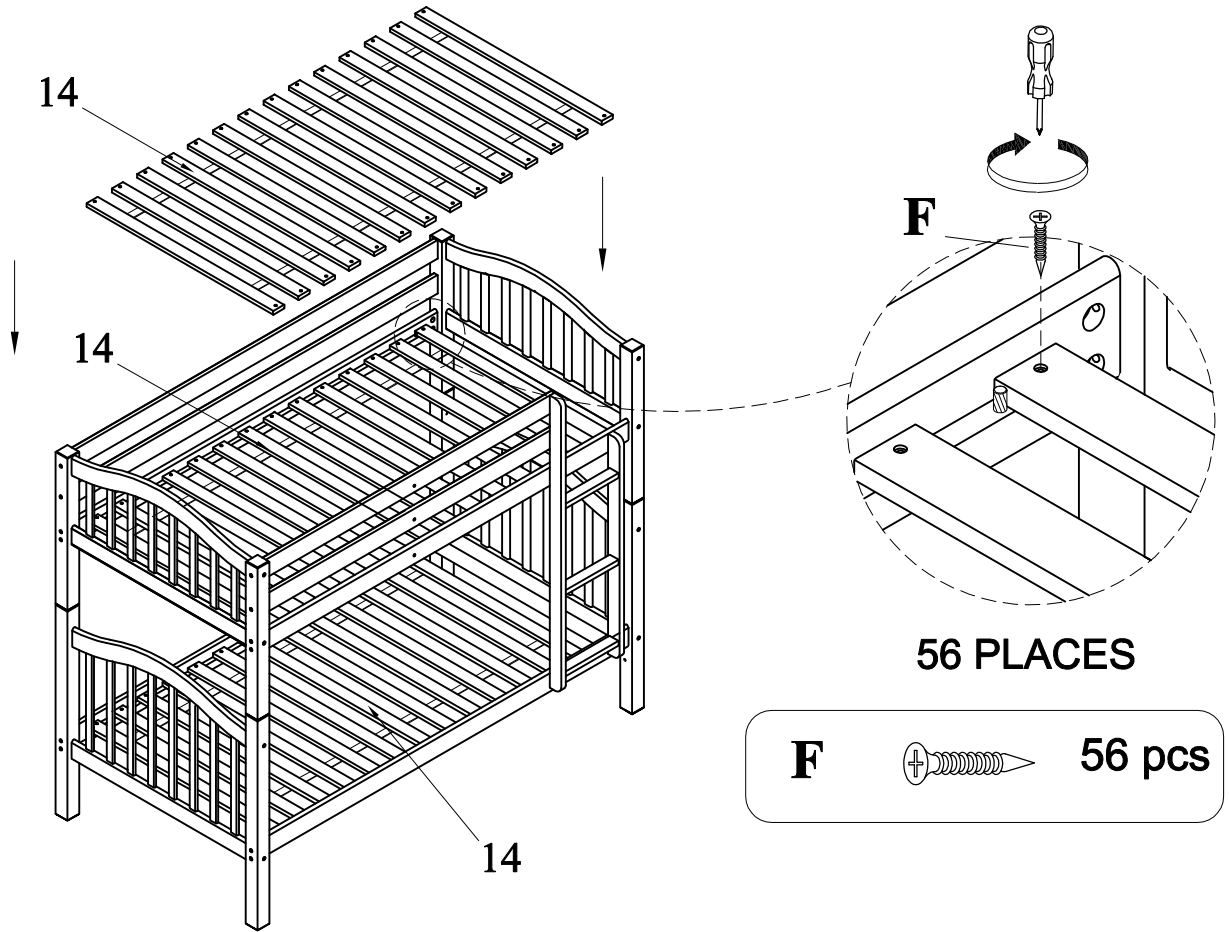
Secure the ladder set to the bunk in 2 places



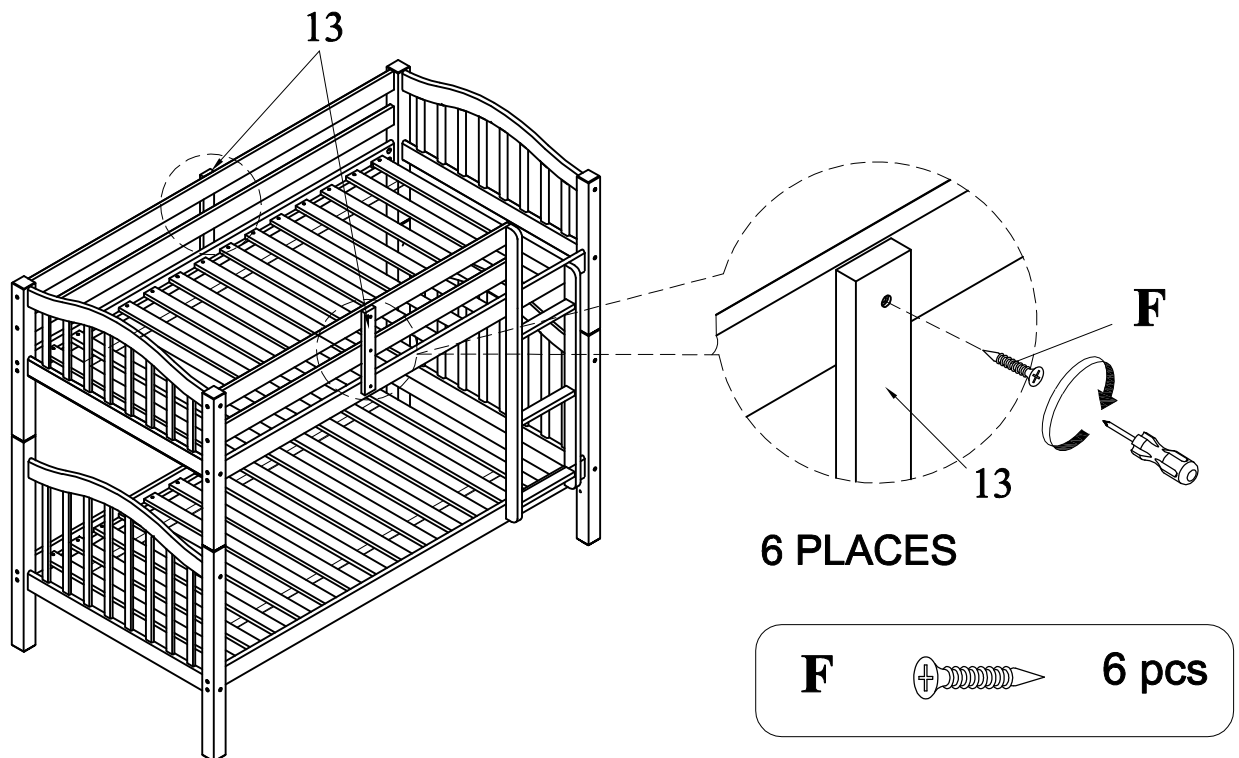
2 PLACES



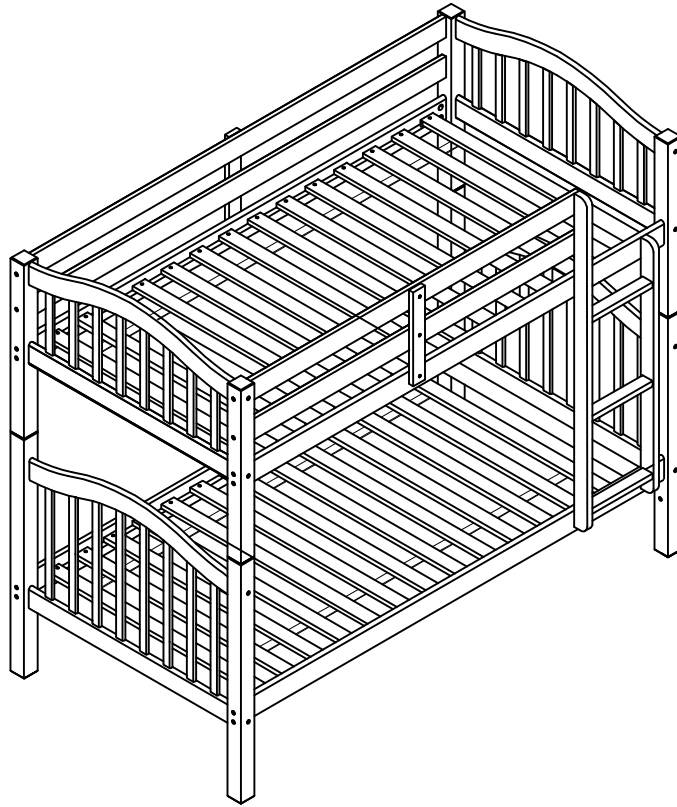
STEP 8: ASSEMBLY COMPLETED TWIN SLAT



STEP 9: ASSEMBLY GUARDRAIL SUPPORT



STEP 10:



ASSEMBLY IS COMPLETED

WARNING !!!

To help prevent serious or fatal injuries from entrapment or falls:

1. Follow the information on the warning label appearing on the upper bunk end structure and on the carton. Do not remove warning label from bed.
2. Always use the recommended size mattress or mattress support, or both, to help prevent the likelihood of entrapment or falls. Use only a mattress which is 39" wide and 75" long on upper bunk.
3. Ensure thickness of upper mattress does not exceed 6" and top surface of mattress is at least 5" below the upper edge of guardrails.
4. Do not allow children under 6 years to use the upper bunk.
5. Periodically check and ensure that the guardrail, ladder, and other components are in their proper position, free from damage, and that all connectors are tight.
6. Do not allow horseplay on or under the bed and prohibit jumping on the bed.
7. Always use ladder for entering and leaving upper bunk.
8. Do not use substitute parts. Contact the manufacturer or dealer for replacement parts.
9. Use of a night-light may provide added safety precaution for a child using the upper bunk.
10. Always use guardrails on both long sides of the upper bunk. If the bunk bed will be placed next to a wall, the guardrail that runs the full length of the bed should be placed against the wall to prevent entrapment between the bed and the wall.
11. The use of water or sleep flotation mattresses is prohibited.

STRANGULATION HAZARD:

12. Never attach or hang items to any part of the bunk bed that are not designed for use with the bed, for example, but not limited to, hooks, belts and jump ropes.
13. Prohibit more than one person on upper bunk.
14. Maximum total weight not to exceed-150 lbs on the upper bunk, and maximum 200 lbs on lower bunk.
15. Keep these instructions for future reference.