

SPECIFICATIONS

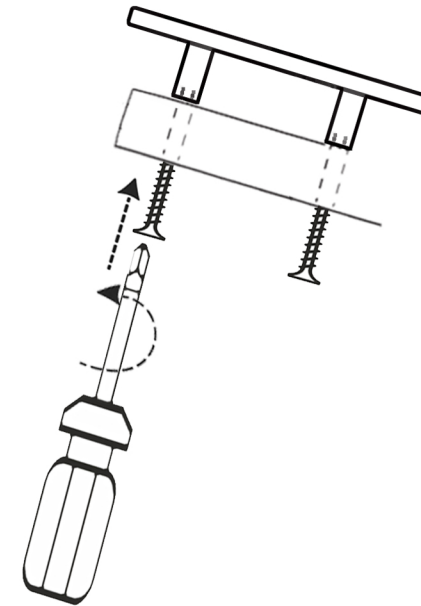
RECOMENDES USE	Domestic
COLOUR OPTIONS	
MATERIAL	Solid Brass
FINISH & COATING	Brushed Brass Electroplated Brass
MOUNTING HARDWARE INCLUDED	Yes
MOUNTING FROM	Front
HOLE DISTANCE	128mm
WEIGHT	0.200kg
WARRANTY	5 year structural warranty 1 Year Finish /coating warranty

Disclaimer .Products in this tear sheet must by regulation be installed by licenced and registered trades person. The manufacturer/distributor reserves the right to vary specifications or delete models from this collection without prior notification. Dimentions are nominal measurements only . Dimentions and set-outs listed are correct at time of publication however the manufacturer /distributor takes no responsibility for printing errors . Istaller is recomended to always go off phisical products for instalation as products can vary slightly in size , usually in the mm .

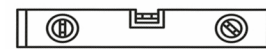
www.hardwareconcepts.com.au
info@hardwareconcepts.com.au

INSTALATION PROCESS

- 1-Establish the position of the cabinetry pull.
- 2-For single handle find the center of the cabinet panel or placement you prefer . For dual handle panels divide the panel in quarters and mark out both points or placement you prefer.
- 3-Use pencil to mark out centre points for holes.
- 4-Using a smaller drill bitt i.e 2.5mm. drill started holes .(Note these are not the final holes , they are guides so that you dont make a mistake in the placement being out of level.)
- 5-Make sure drill wholes are aligned by using a level , adjust if needed , and follow to drill the correct size hole to match hardware supplied .
- 6-Mount the Handle to the cabinetry and use the screw driver to tighten the bolt supplied , **never use the handle to tighten the screw as this will cause cross threading .**



Tools you will need



Level



Measuring tape



Pencil



Screw driver

How to care for your Eclair



Regular clean with mild detergent or soap and water .



DO NOT use cream cleaners or bleach. Or any abrasive substance



Do not use brushes or cleaning pads with abrasive surfaces as they can scratch metallic surfaces .