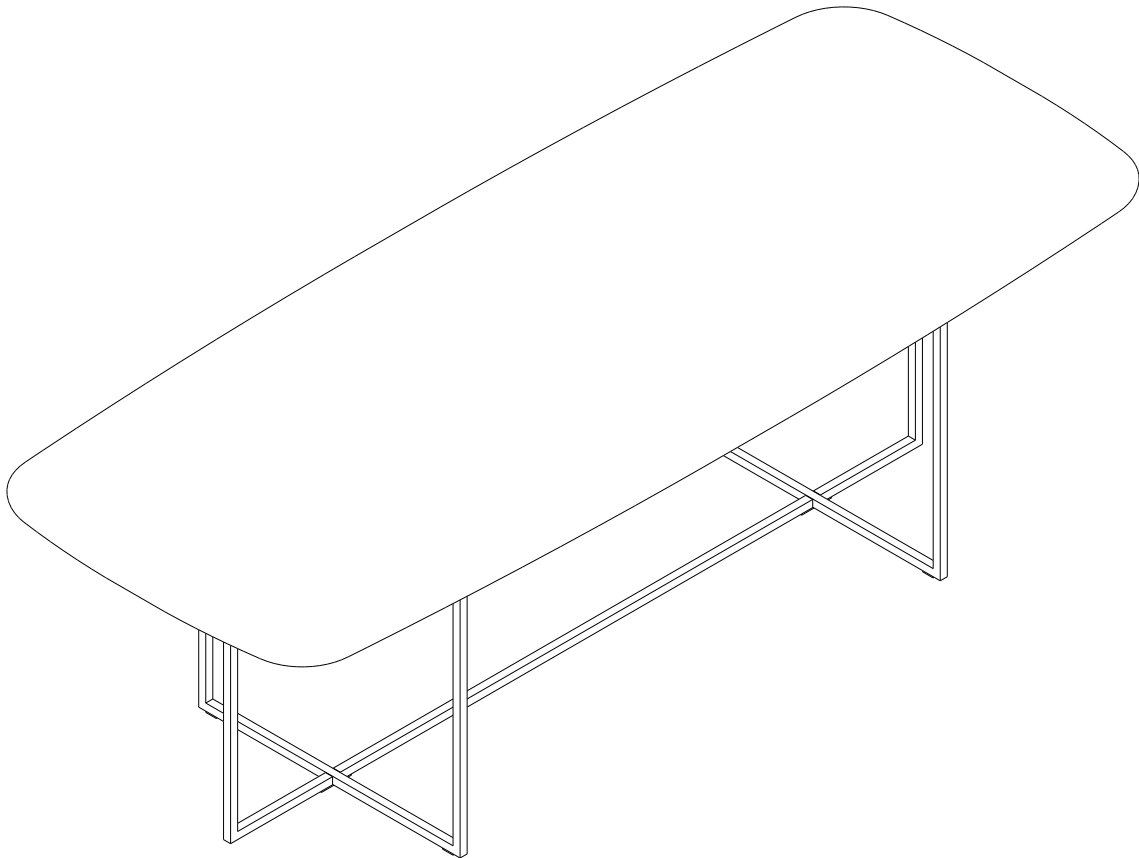


Ethnicraft

ASSEMBLY INSTRUCTIONS FOR ARC TABLE INSTALLATION

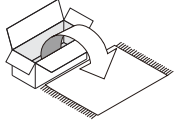
OAK ARC DINING TABLE

CODE	DESCRIPTION
50032-U	OAK ARC DINING TABLE - VARNISHED 200/100/76
50033-U	OAK ARC DINING TABLE - VARNISHED 220/100/76



OAK ARC DINING TABLE - VARNISHED ASSEMBLY INSTRUCTIONS FOR DINING TABLE INSTALLATION

NOTE



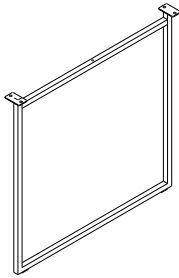
- CAREFULLY OPEN THE CARTON,
- REMOVE CONTENTS AND LAY OUT ON CARPET OR THE PACKAGING CARTON BOX OR OTHER PROTECTIVE SURFACE TO AVOID DAMAGE.
- CHECK PACKAGE CONTENTS TO ASSURE ALL THE NECESSARY HARDWARE AND PARTS ARE RECEIVED UNDAMAGED.
- DO NOT USE DAMAGE OR DEFECTIVE PARTS/HARDWARE.
- CONTACT ETHNICRAFT FOR ANY MISSING PART AND /OR HARDWARE.



- READ THE ASSEMBLY INSTRUCTION BEFORE INSTALLATION AND CAREFULLY FOLLOW THE INSTRUCTION GIVEN.
- SEEK THE ADVICE OF A PROFESSIONAL IF YOU ARE NOT FAMILIAR WITH THESE INSTALLATIONS OR HAVE ANY DOUBTS ABOUT THE SAFETY OF THIS INSTALLATION.



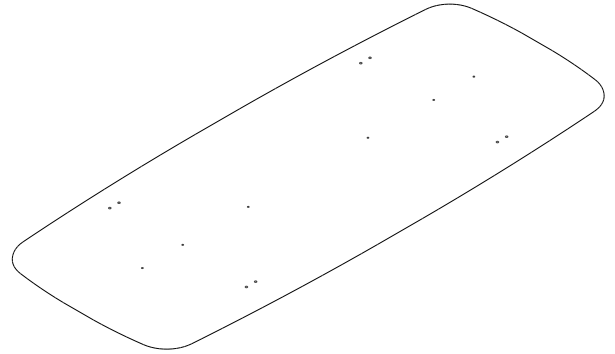
- IT IS ADVISABLE TO DO THIS ASSEMBLY WITH MINIMUM OF 2 PERSONS.



(B) LEGS (INTERCHANGEABLE) 1set

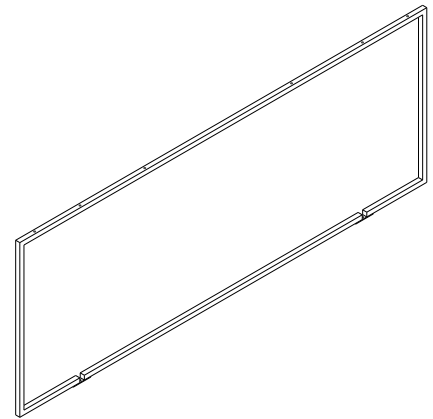
CODE	DESCRIPTION
P4808	SHORT LEG

PARTS TO ASSEMBLE



(A) TOP PANEL 1piece

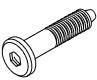
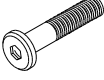
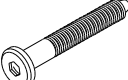
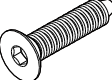

CODE	DESCRIPTION
P4802	TOP PANEL 200
P4803	TOP PANEL 220



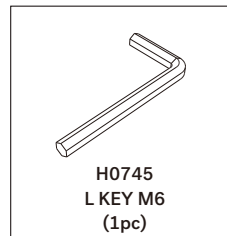
(C) MIDDLE STRETCHER 1piece

CODE	DESCRIPTION
P4805	MIDDLE STRETCHER FOR 200 LENGTH
P4806	MIDDLE STRETCHER FOR 220 LENGTH

HARDWARE ENCLOSED

 H0828 JCBC SCREW M6x20 (8pcs)	 H2127 JCBC SCREW M6x40 (4pcs)	 H0455 JCBC SCREW M6x60 (2pcs)
 H2128 SCREW M6x12 (2pcs)	 H2129 METAL SPACER RING M6x40 (2pcs)	

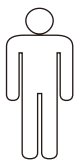
TOOL



SYMBOLS



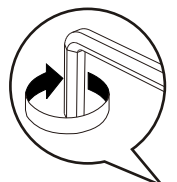
DIRECTION



NUMBER OF PERSONS NEEDED



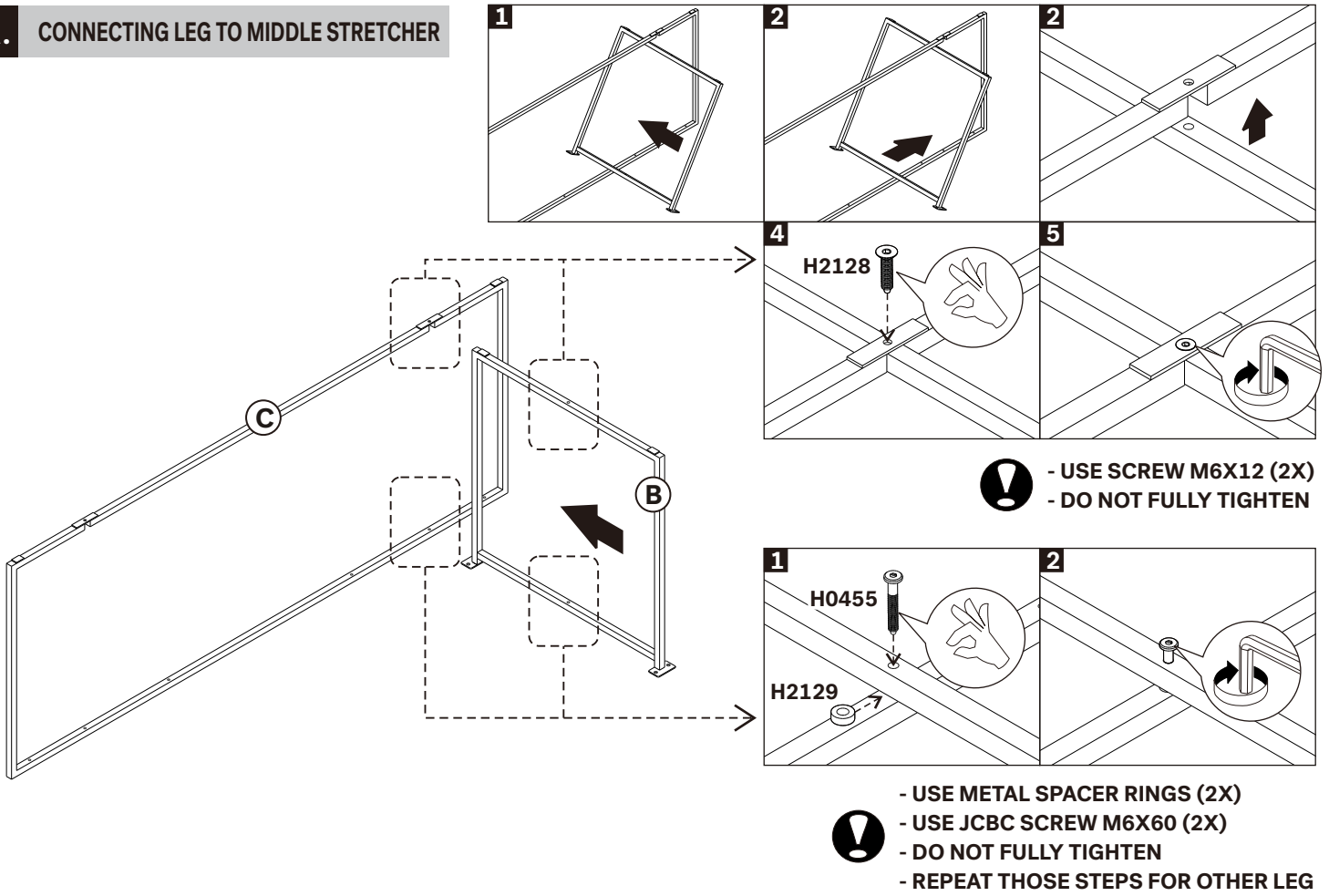
USE HAND



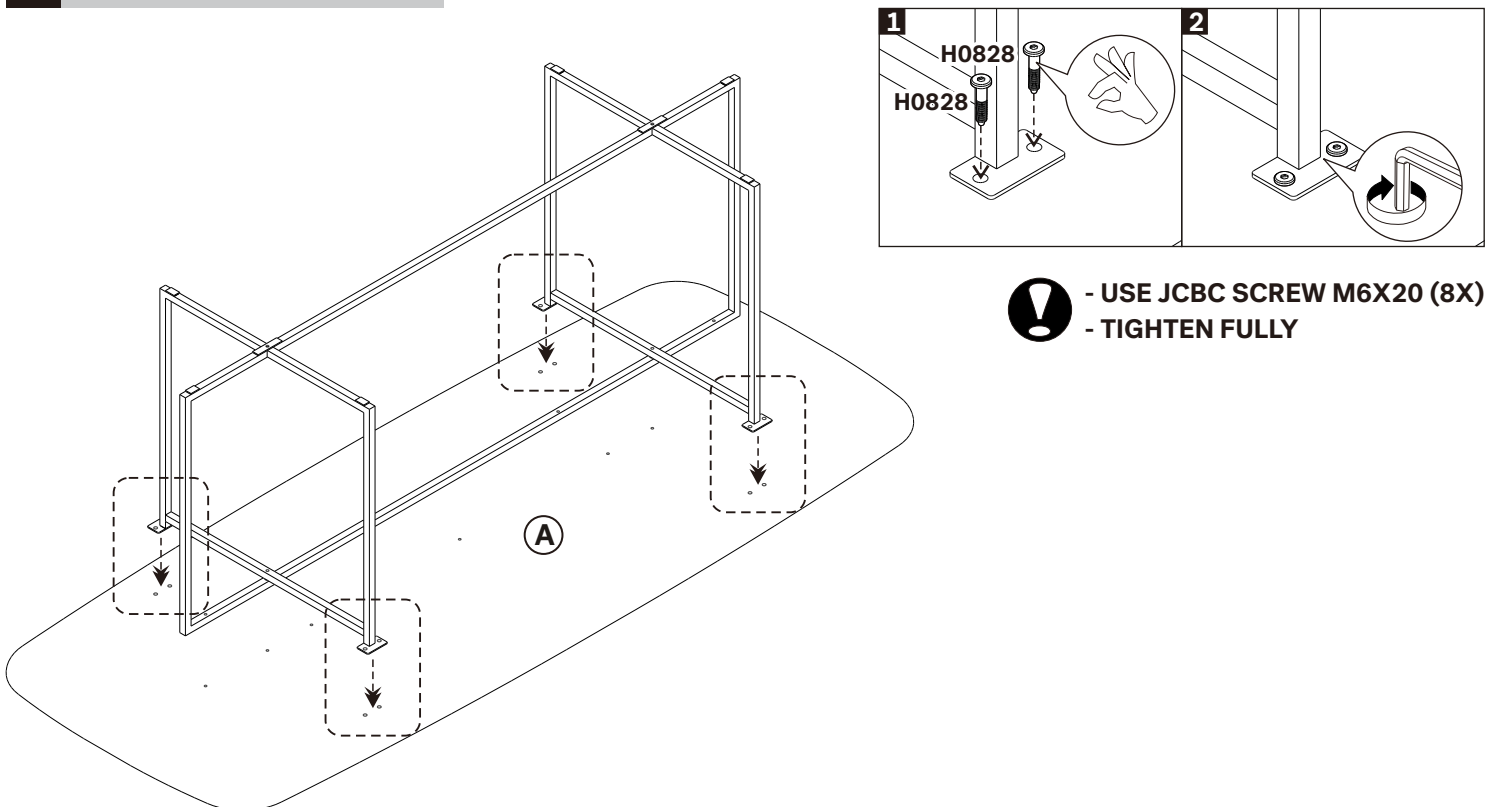
USE L KEY TO TIGHTEN

OAK ARC DINING TABLE - VARNISHED ASSEMBLY INSTRUCTIONS FOR DINING TABLE INSTALLATION

A. CONNECTING LEG TO MIDDLE STRETCHER

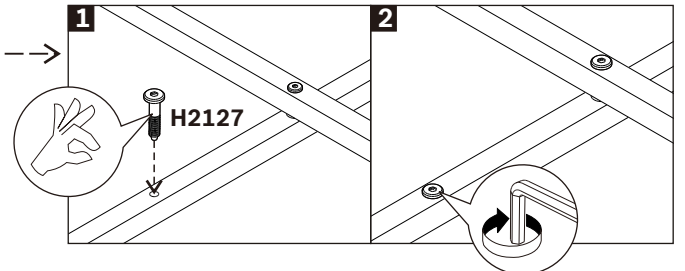
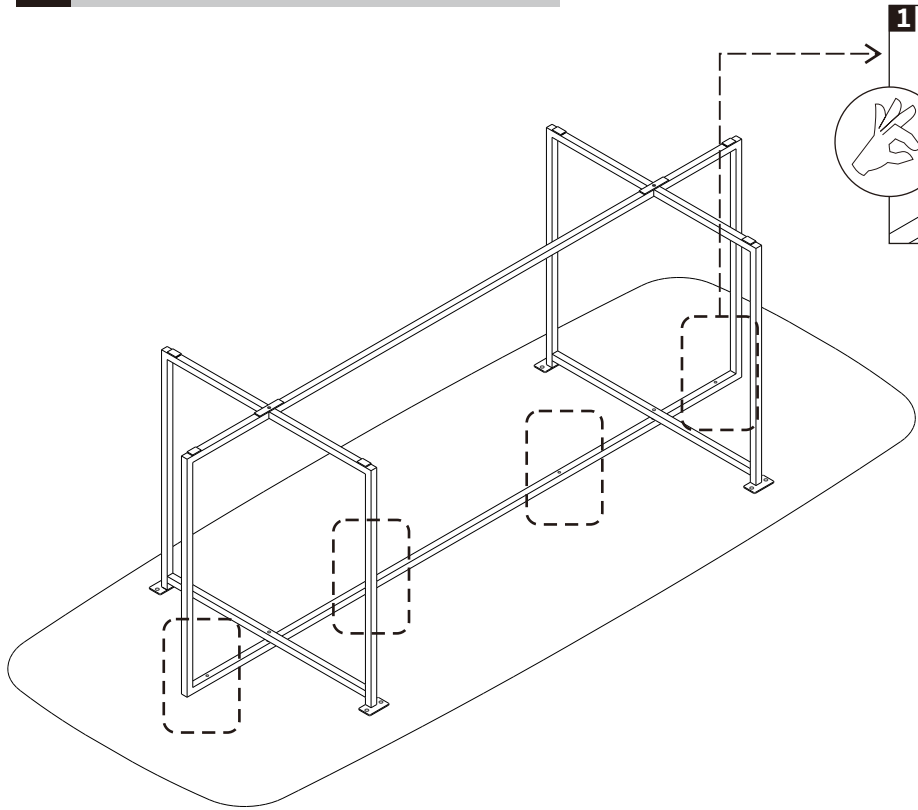


B. CONNECTING LEGS TO TOP PANEL



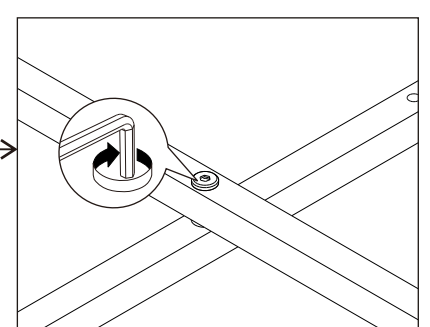
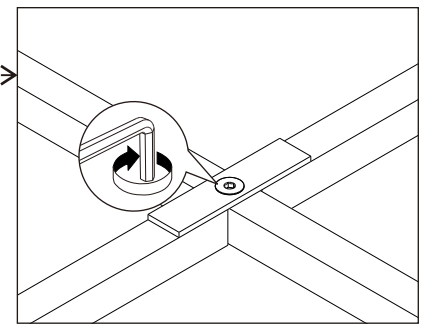
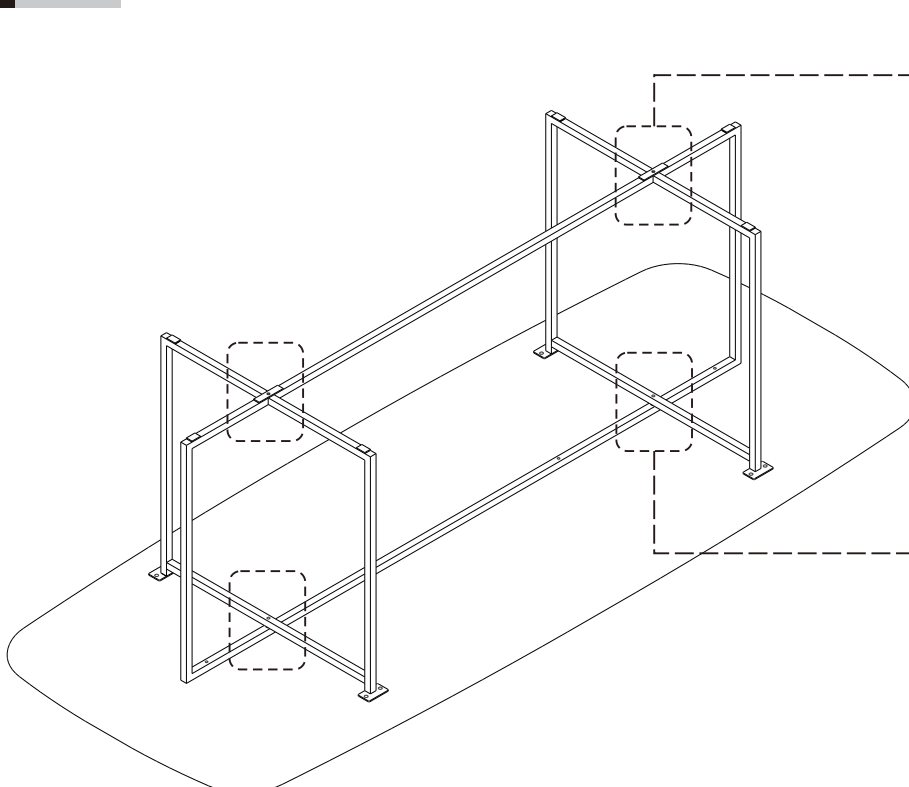
OAK ARC DINING TABLE - VARNISHED ASSEMBLY INSTRUCTIONS FOR DINING TABLE INSTALLATION

C. INSTALLING SCREW ON MIDDLE STRETCHER



- ! - USE JCBC SCREW M6X40 (4X)
- TIGHTEN FULLY

D. FINISH



- ! - RE-TIGHTEN FULLY ALL SCREWS