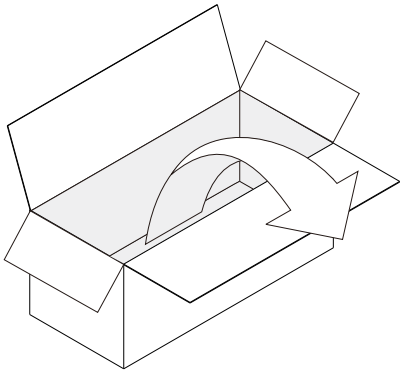
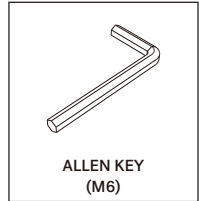


TEAK OSCAR DESK - WITH CABLE GROMMET ASSEMBLY INSTRUCTIONS FOR DINING TABLE INSTALLATION



TOOL

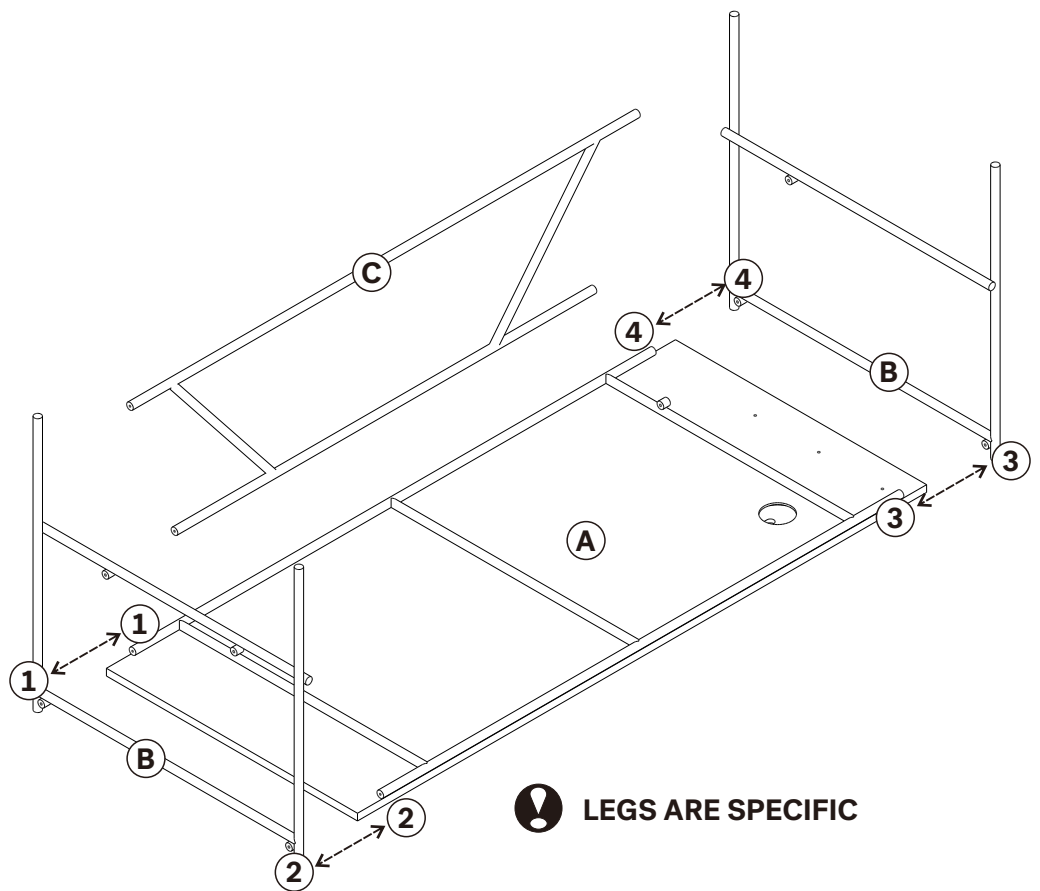


IN YOUR PACKAGE :

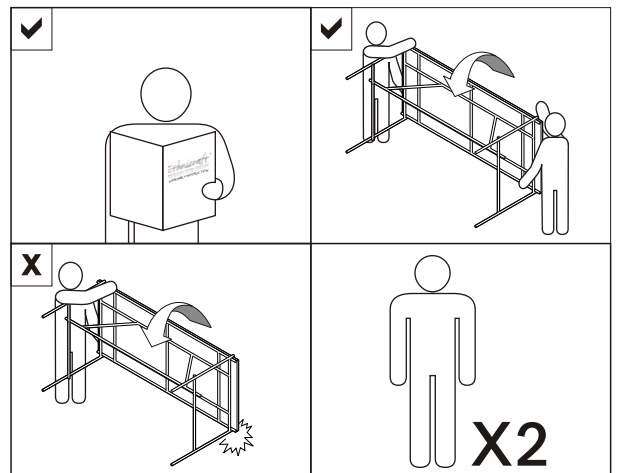
ASSEMBLY INSTRUCTIONS
HARDWARE (AS LISTED ABOVE)

PARTS TO BE INSTALLED

- A. TABLE TOP (1 pc)
- B. LEGS (2 pcs)
- C. MIDDLE STRETCHER (1 pc)



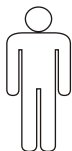
NOTICE



SYMBOLS



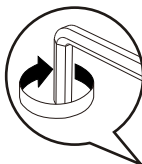
DIRECTION



NUMBER OF
PERSONS NEEDED



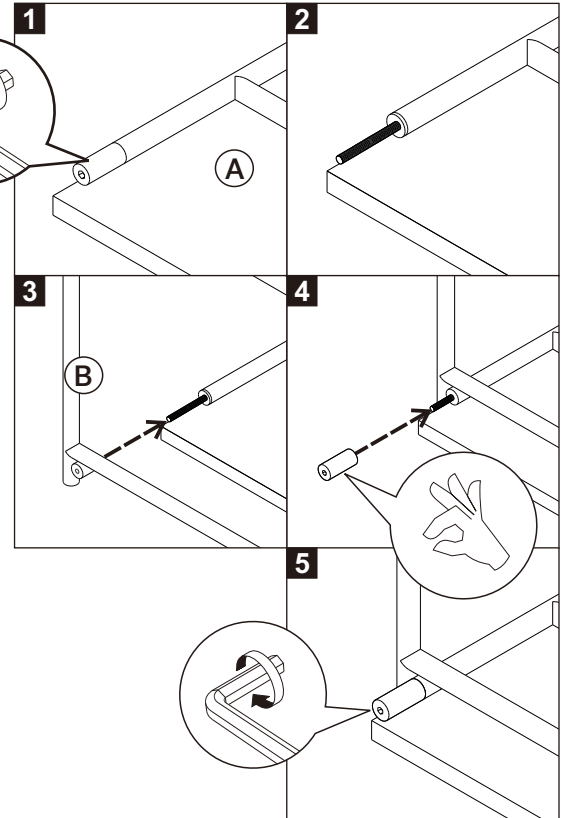
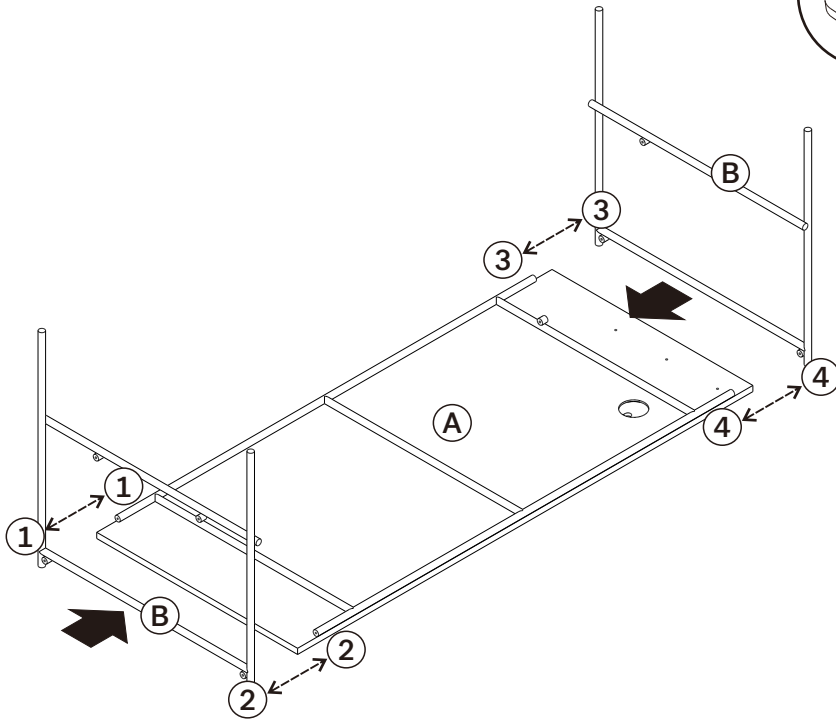
USE HAND



USE ALLEN KEY
TO TIGHTEN

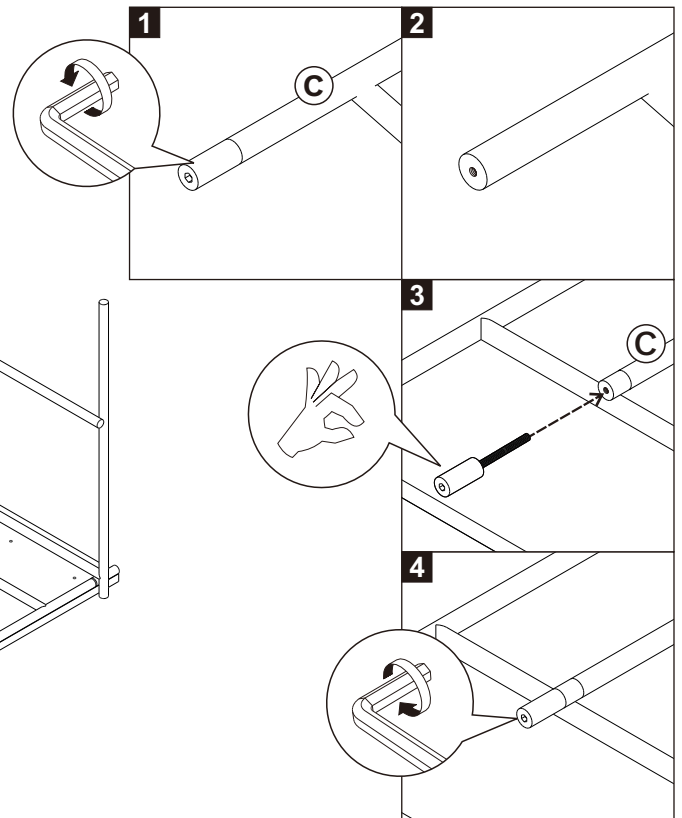
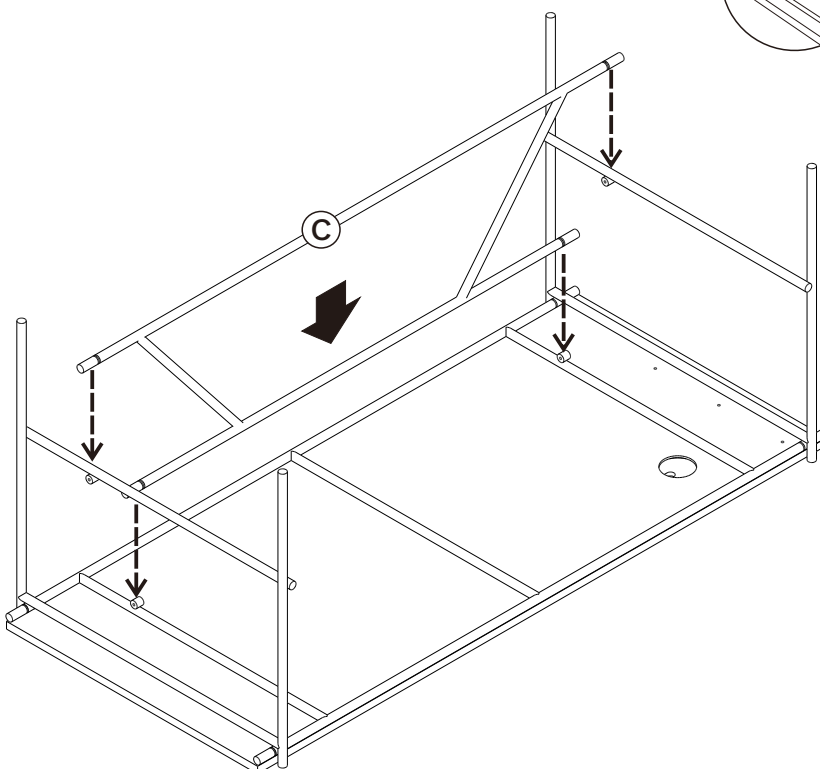
TEAK OSCAR DESK - WITH CABLE GROMMET ASSEMBLY INSTRUCTIONS FOR DINING TABLE INSTALLATION

A ATTACHING LEGS



- ⚠ - ALWAYS REFER THE CODE
- ⚠ - DO NOT TIGHTEN BOLTS FULLY

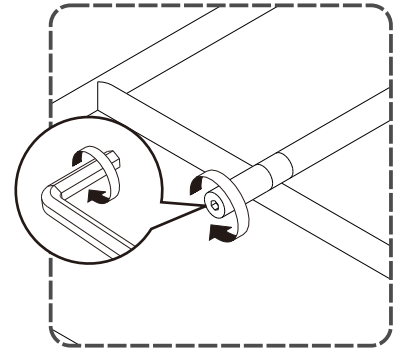
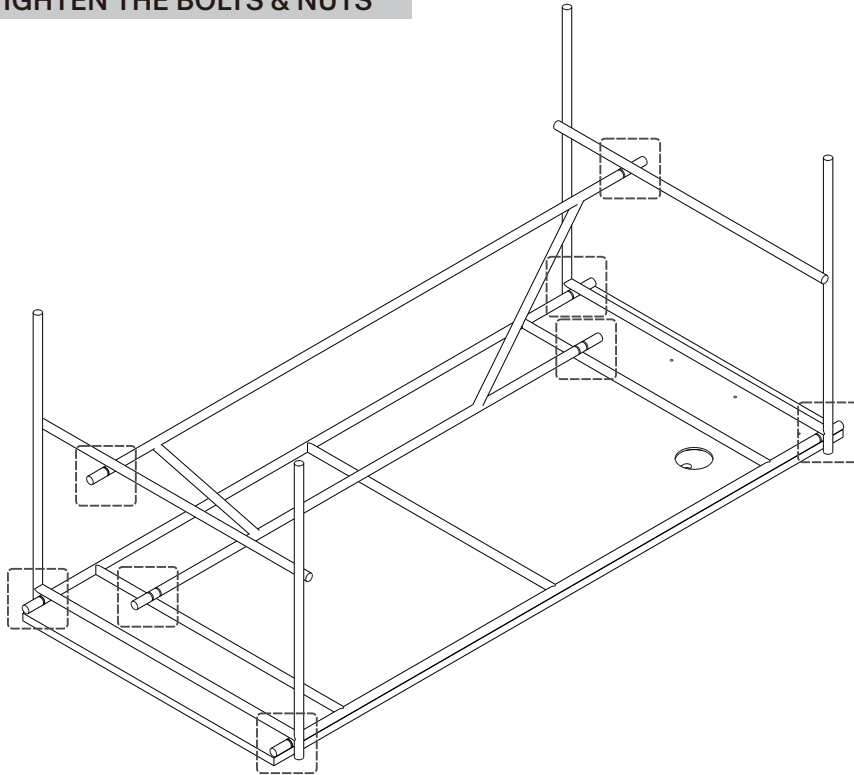
B ATTACHING MIDDLE STRETCHER



- ⚠ DO NOT TIGHTEN BOLTS FULLY

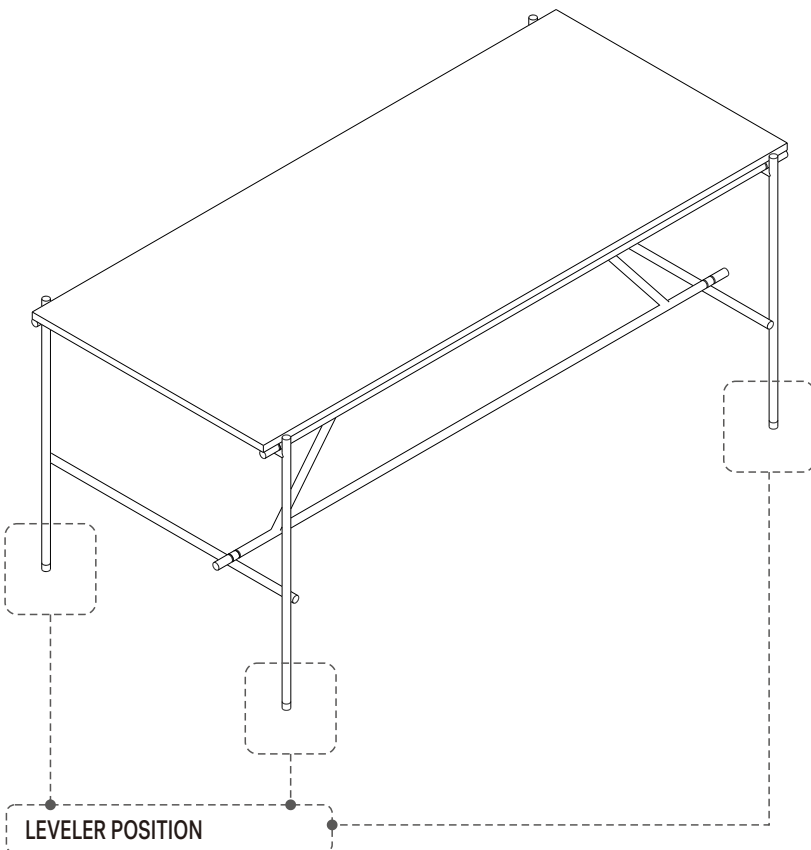
TEAK OSCAR DESK - WITH CABLE GROMMET ASSEMBLY INSTRUCTIONS FOR DINING TABLE INSTALLATION

C RE-TIGHTEN THE BOLTS & NUTS

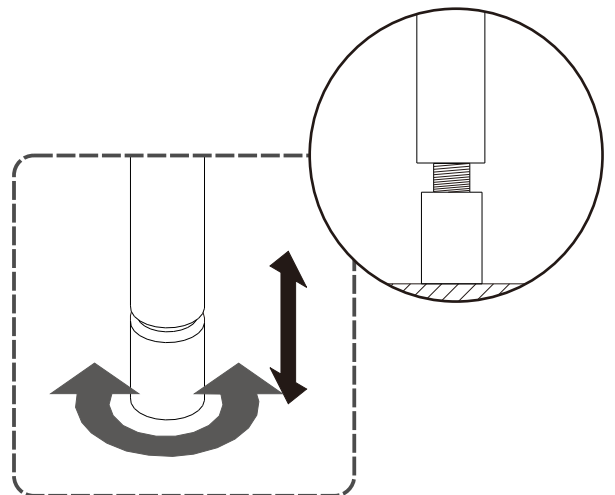


! FULLY TIGHTEN ALL BOLTS & NUTS

D ADJUSTING LEVELER



LEVELER POSITION

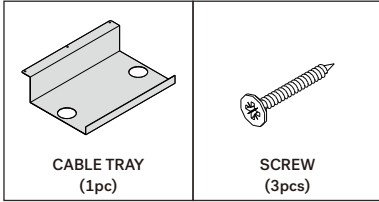


NOTE :
THIS IS A COMPULSORY ACTION TO MAKE SURE ALL OF THE METAL LEGS TOUCH THE GROUND!

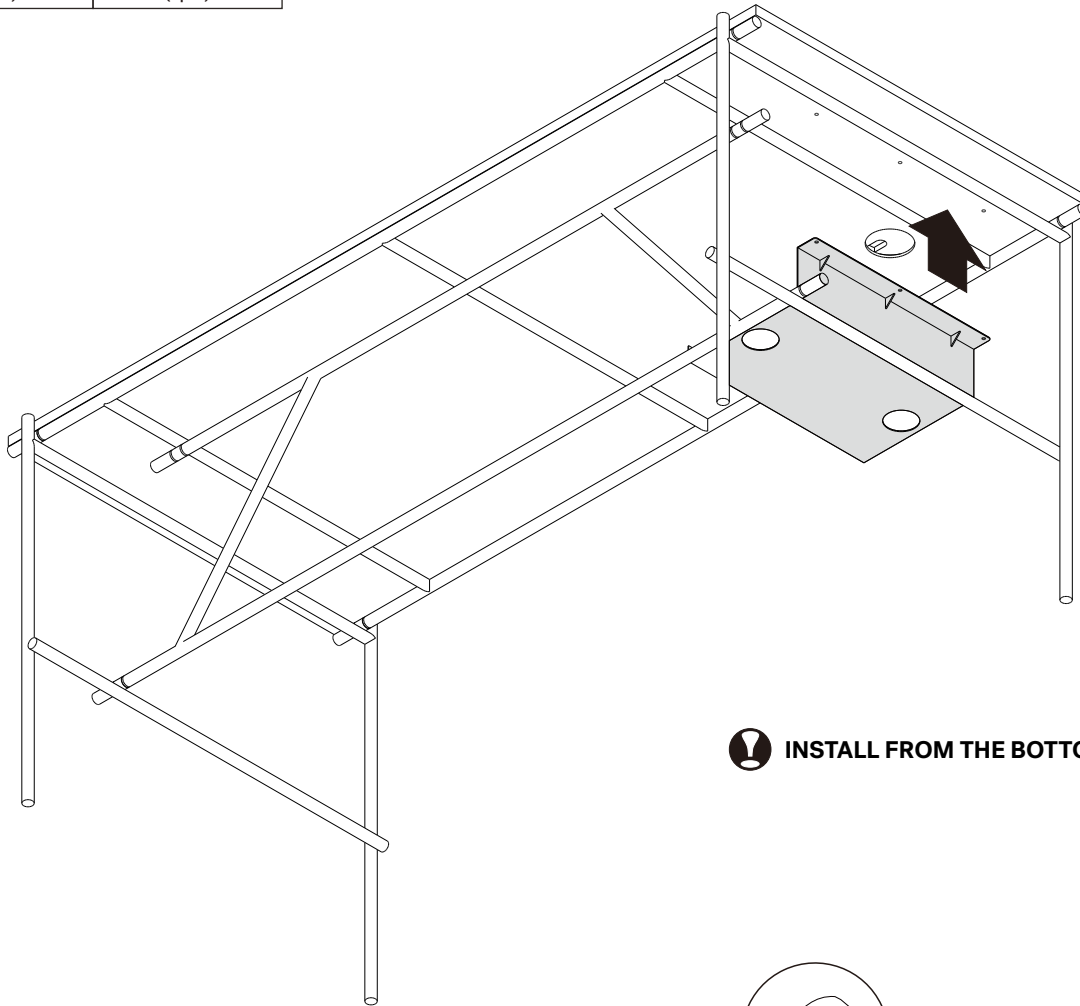
TEAK OSCAR DESK - WITH CABLE GROMMET ASSEMBLY INSTRUCTIONS FOR DINING TABLE INSTALLATION

ADDITIONAL STEP FOR INSTALLING CABLE TRAY

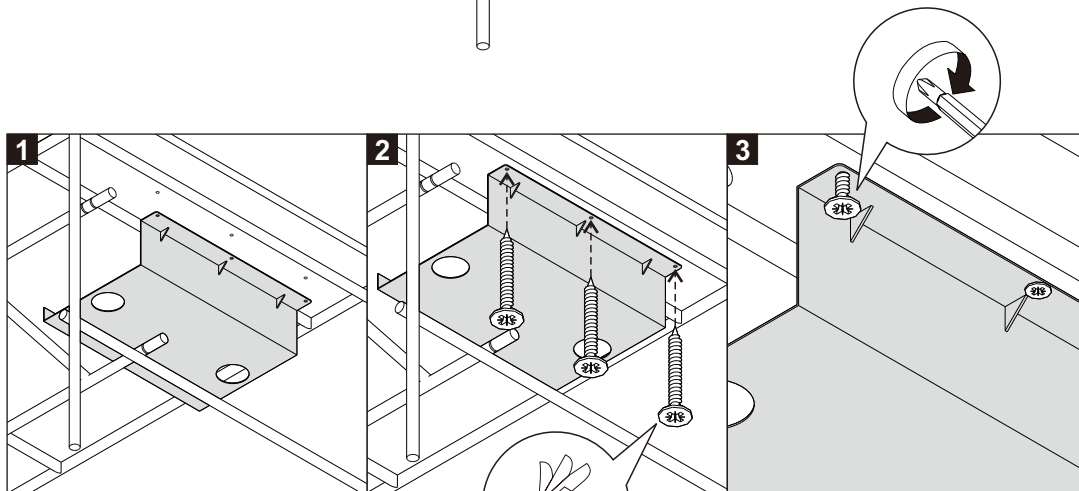
HARDWARES (Not included in package)



TOOLS REQUIRED



! INSTALL FROM THE BOTTOM SIDE



- ! - USE CABLE TRAY (1X)**
- USE SCREW (3X)**