

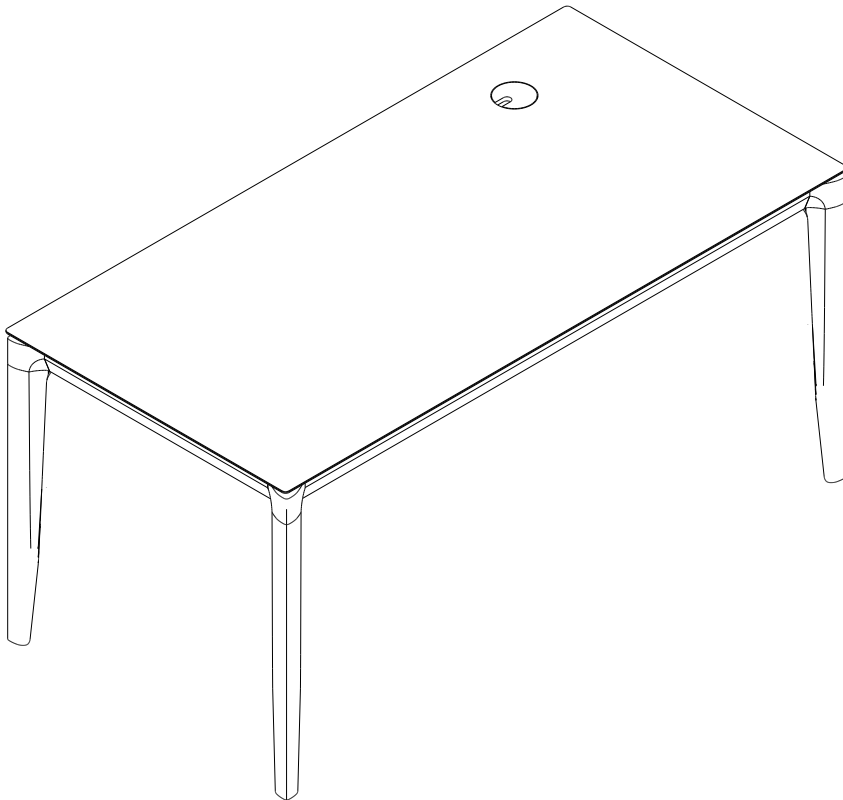
# Ethnicraft

## ASSEMBLY INSTRUCTIONS FOR DESK INSTALLATION

---

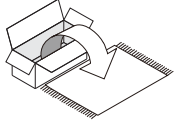
### OAK BOK DESK - WITH CABLE MANAGEMENT

CODE	DESCRIPTION
51575	OAK BOK DESK - WITH CABLE MANAGEMENT 140/70/76
51576	OAK BOK DESK - WITH CABLE MANAGEMENT 160/80/76



## OAK BOK DESK - WITH CABLE MANAGEMENT ASSEMBLY INSTRUCTIONS FOR DINING TABLE INSTALLATION

### NOTE



- CAREFULLY OPEN THE CARTON,
- REMOVE CONTENTS AND LAY OUT ON CARPET OR THE PACKAGING CARTON BOX OR OTHER PROTECTIVE SURFACE TO AVOID DAMAGE.
- CHECK PACKAGE CONTENTS TO ASSURE ALL THE NECESSARY HARDWARE AND PARTS ARE RECEIVED UNDAMAGED.
- DO NOT USE DAMAGE OR DEFECTIVE PARTS/HARDWARE.
- CONTACT ETHNICRAFT FOR ANY MISSING PART AND /OR HARDWARE.

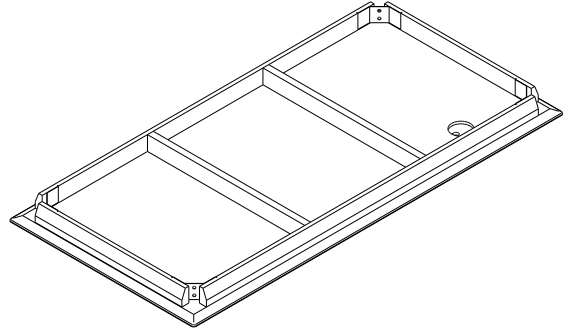


- READ THE ASSEMBLY INSTRUCTION BEFORE INSTALLATION AND CAREFULLY FOLLOW THE INSTRUCTION GIVEN.
- SEEK THE ADVICE OF A PROFESSIONAL IF YOU ARE NOT FAMILIAR WITH THESE INSTALLATIONS OR HAVE ANY DOUBTS ABOUT THE SAFETY OF THIS INSTALLATION.



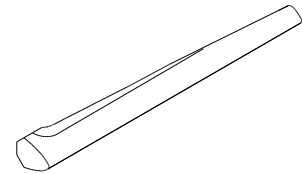
- IT IS ADVISABLE TO DO THIS ASSEMBLY WITH MINIMUM OF 2 PERSONS.

### PARTS TO ASSEMBLE



#### A TABLE TOP 1piece

CODE	DESCRIPTION
P4958	TABLE TOP 140x70
P4959	TABLE TOP 170x80



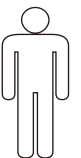
#### B LEG 4 pieces

CODE	DESCRIPTION
P4678	LEG FOR 80, 90, 95 DEPTH

### SYMBOLS

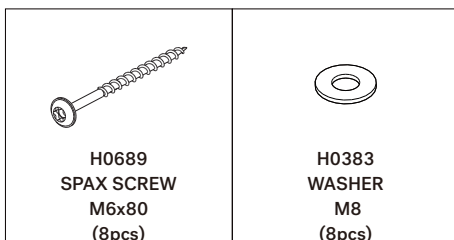


DIRECTION



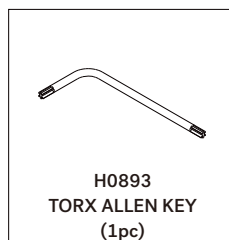
NUMBER OF PERSONS NEEDED

### HARDWARE ENCLOSED

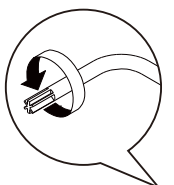


### TOOL

(Included in packaged)



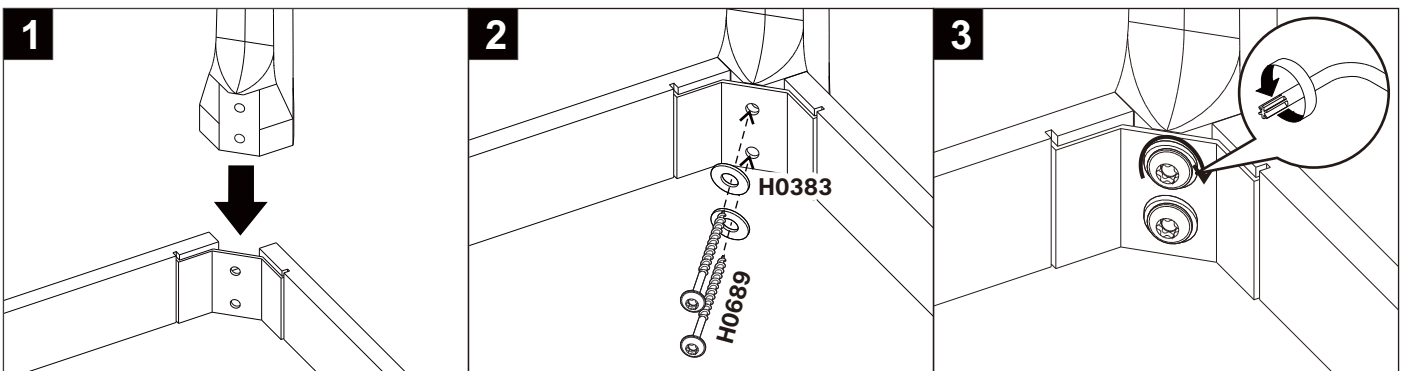
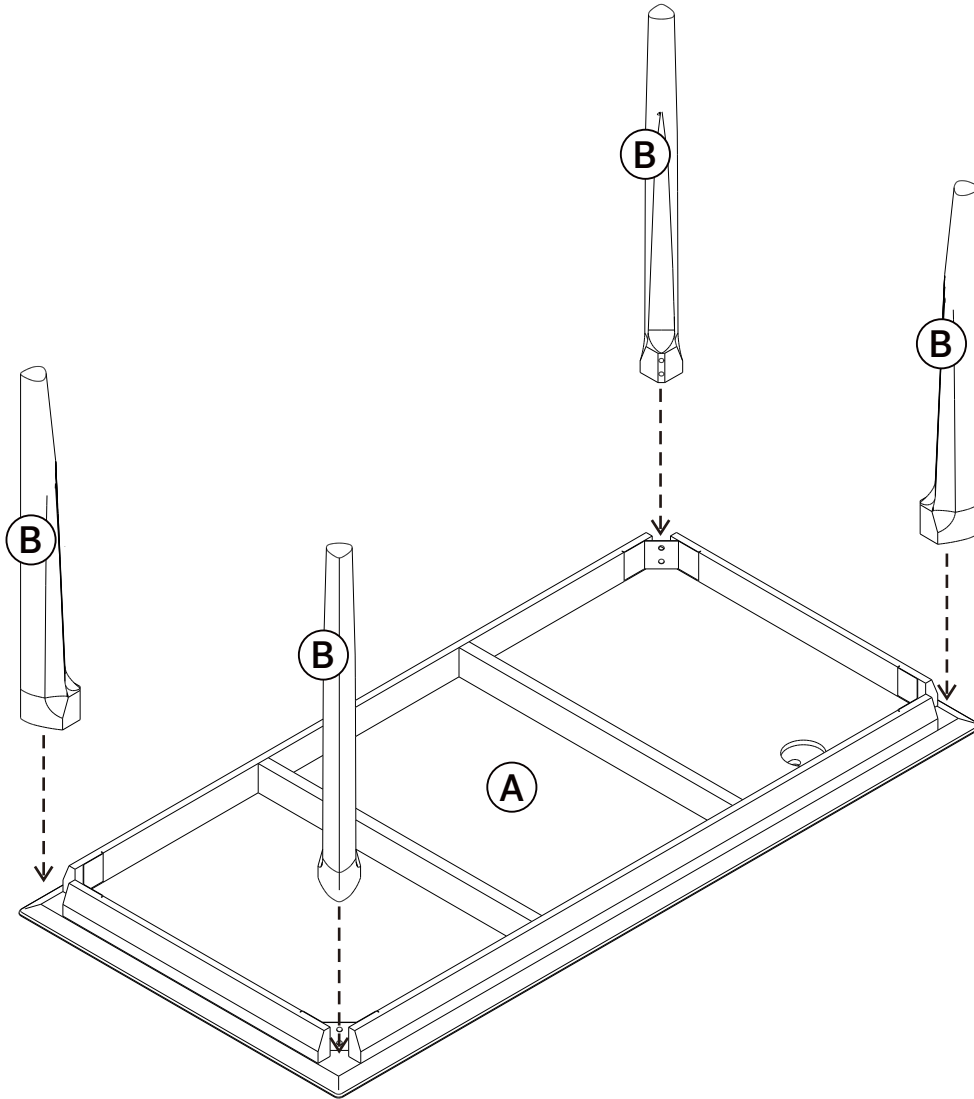
USE HAND



USE TORX ALLEN KEY TO TIGHTEN

## OAK BOK DESK - WITH CABLE MANAGEMENT ASSEMBLY INSTRUCTIONS FOR DINING TABLE INSTALLATION

### CONNECTING THE LEGS AND THE TABLE TOP



- ! - REPEAT STEP 1 TO STEP 3 FOR OTHER LEGS
- NOT TO TIGHT (TO BE RE-TIGHTRNRD AFTER 15 DAYS)