

CLA-019-105 MEET U IN THE MIDDLE QN

Caracole Classic Casual

ASSEMBLY INSTRUCTIONS

TWO (2) PEOPLE AND PHILIP'S SCREWDRIVER REQUIRED

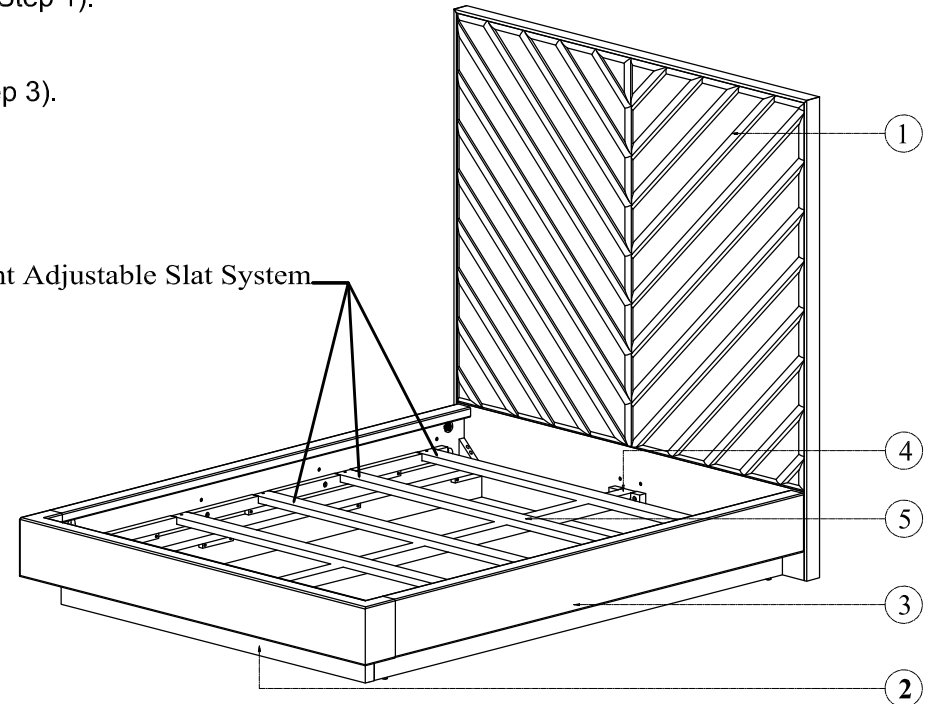
PLEASE UNPACK ALL PARTS AND CHECK AGAINST PARTS LIST ON THIS INSTRUCTION SHEET BEFORE DISCARDING PACKING AND CARTON!!

- 1) Connect the side rails (3) and headboard (1) / footboard (2) by using the Halfmoon washer (A), flat washer (B), Curved washer (C), Bolt (D), Steel Nut M8 (E), Wrench (N). (See Step 1).
- 2) Attach Support Rail (4) to headboard (1) / footboard (2). (See Step 2).
- 3) Attach Slat (5) to Support Rail and Side Rail by using Steel Screw (L). (See Step 3).

*** NOTE KEEP THIS SHEET!!! ***

In the unlikely event that you would need a replacement part for your table, please contact your local authorized Schnadig International dealer. If you need replacement hardware quickly, it could be purchased from your local hardware store.

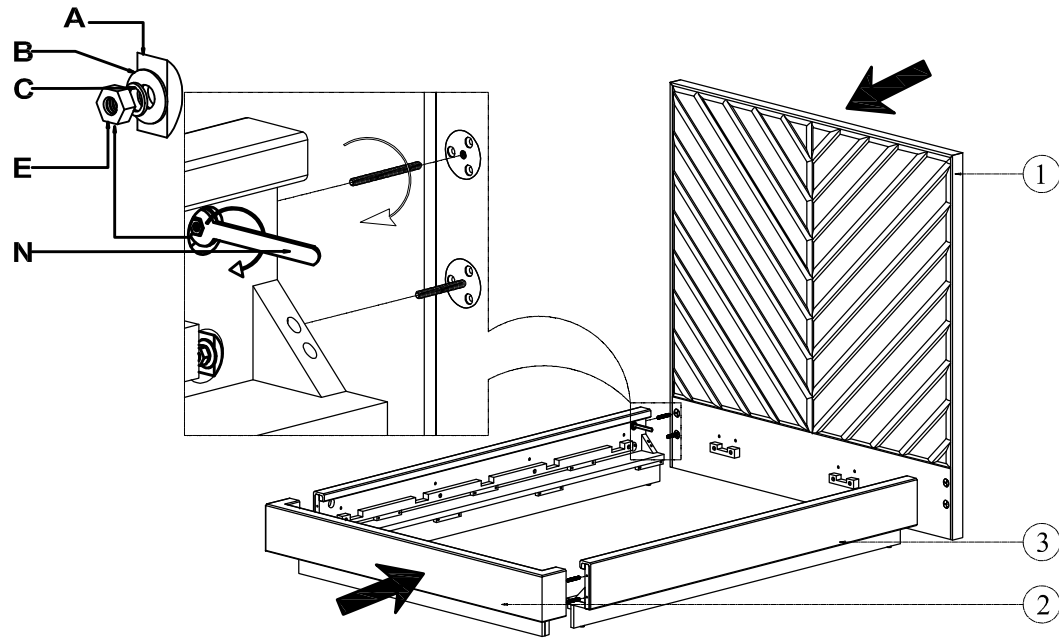
Height Adjustable Slat System



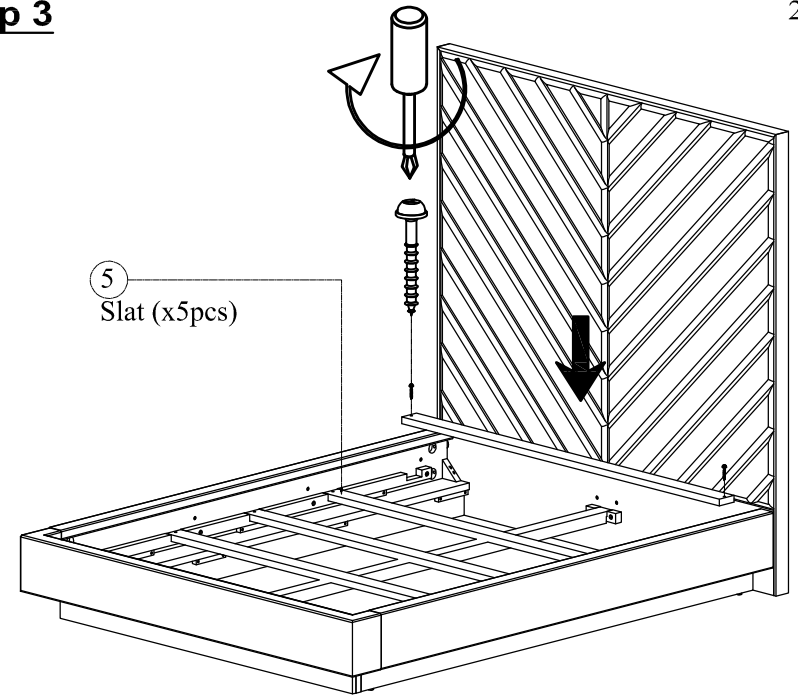
Part Description	Part No.	QTY
1 Headboard		1 (set)
2 Footboard		1 (set)
3 Side rail		2 (sets)
4 Support Rail		1 (pc)
5 Slat	CLA-019-105-017	5 (pcs)
6 Tack glide	CLA-019-105-3003	4 (pcs)

RTA Hardware			
NO.		Hardware List	Q'ty
A		Halfmoon washer	8 (pcs)
B		Flat Washer	8 (pcs)
C		Spring Washer	8 (pcs)
D		Bolt	8 (pcs)
E		Steel Nut M8	8 (pcs)
N		Wrench	1 (pc)
K		Allen Key	1 (pc)
L		Steel Screw	10 (pcs)

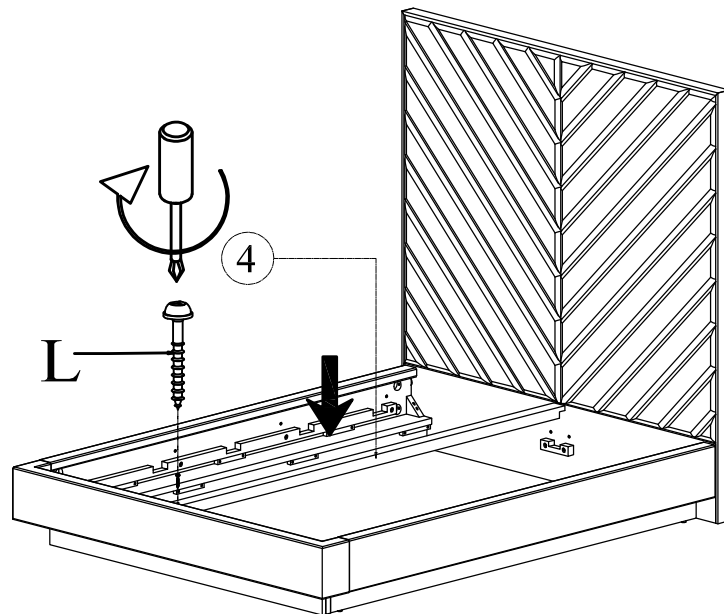
Step 1



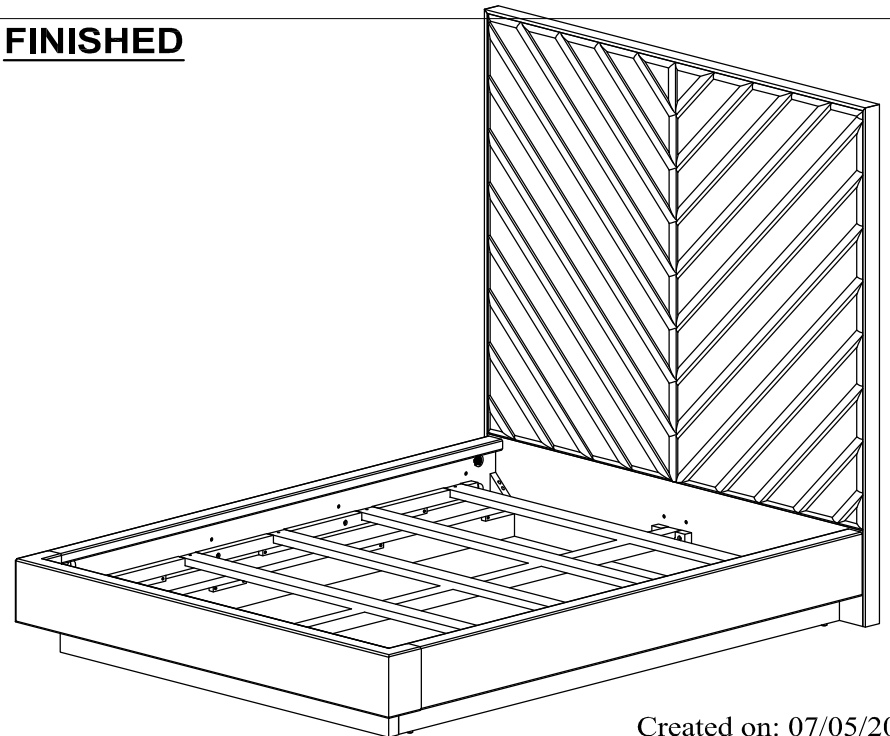
Step 3



Step 2



FINISHED



BED MATTRESS DIAGRAM

BEDDING SPECIFICATIONS

Dimension of the true mattress opening: $81\frac{1}{2} \times 61\frac{1}{2}$ "

Bed slats: $63\frac{3}{4} \times 3 \times 1$ "

Side rail width: $2\frac{5}{8}$ "

Height from the floor to bottom of the side rail: 0

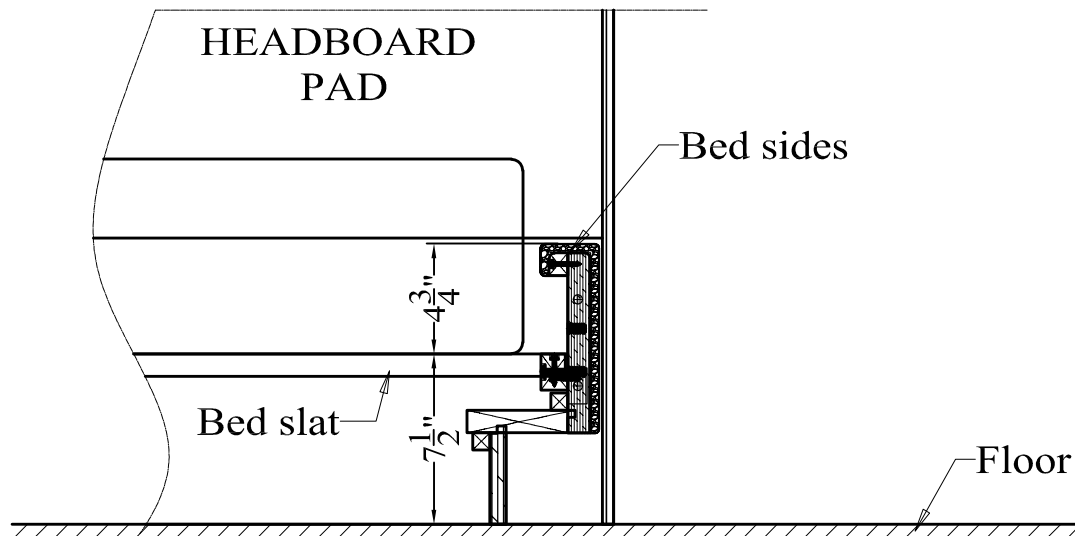
Height from the floor to top of slat: $7\frac{1}{2}$ " (for low setting) or $9\frac{3}{8}$ " (for high setting)

Height from the top of slats to top of side rail: $4\frac{3}{4}$ " (for low setting) or $2\frac{7}{8}$ " (for high setting)

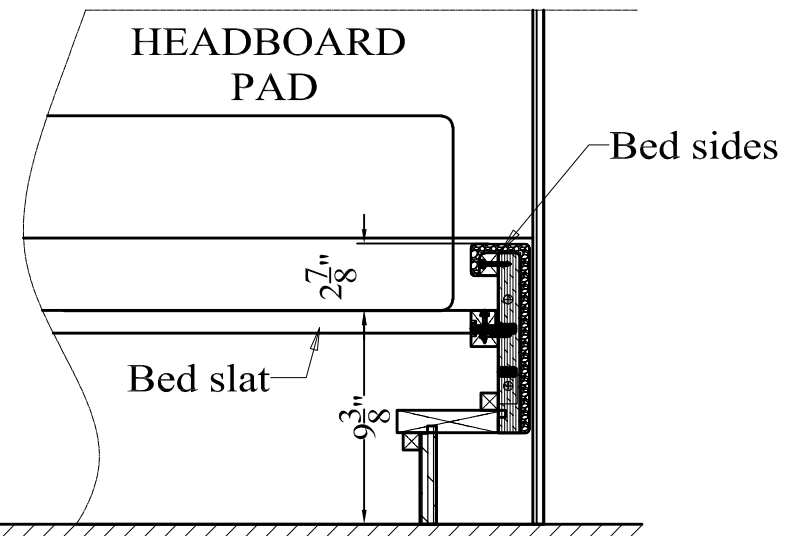
Height from the top of side rail to bottom of headboard pad: $\frac{1}{8}$ "

Be sure to adhere to these BEDDING SPECIFICATIONS in order to avoid the possibility of falling or entrapment. THESE SPECIFICATIONS MUST BE STRICTLY ADHERE TO!

LOW SETTING



HIGH SETTING



SET UP THE HEIGHT OF THE MATTRESS

NOTE: Before starting this step, securely remove all slats and support slat from the assembled bed.

- For the default setting, the Slat support rail will be attached to the lower setting on the side rail. If you want to attach the Slat support rail to the higher setting, please unscrew all bolts and move the Slat support rail to the top setting on side rail. Re-install the bolts and Slat support rail to secure to the side rail. See illustration in FIGURE 4A - 4B.
- For the default setting, the Wood brackets will be attached to the lower setting at front of Headboard and back of Footboard. If you want to attach the Wood bracket to the higher setting, please unscrew and move the Wood bracket to the top setting on Headboard and Footboard. Re-install the screws and Wood bracket to secure to the Headboard and Footboard. See illustration in FIGURE 5A - 5B.

FIGURE 4A

FIGURE 4B

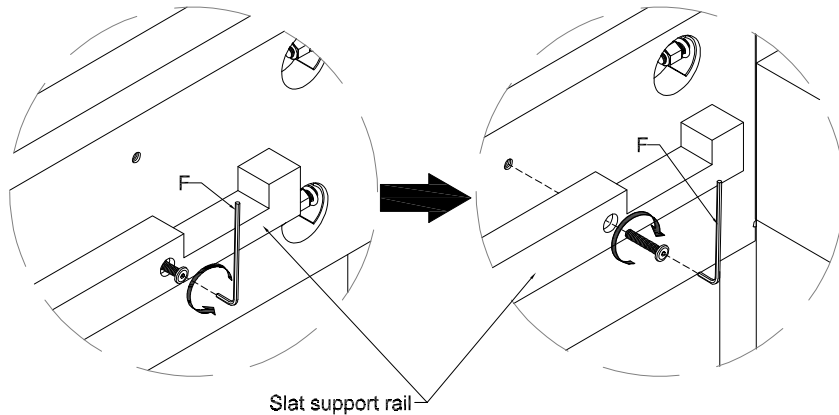
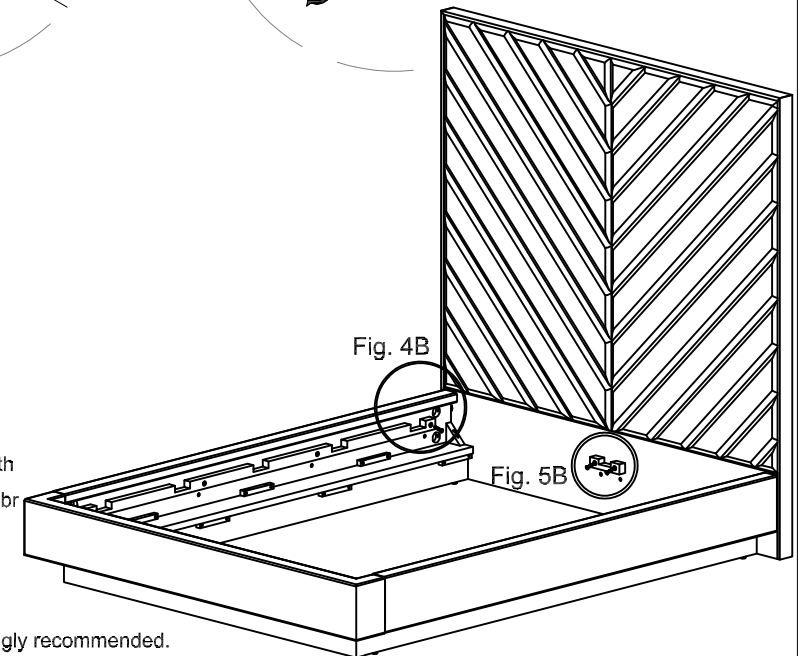
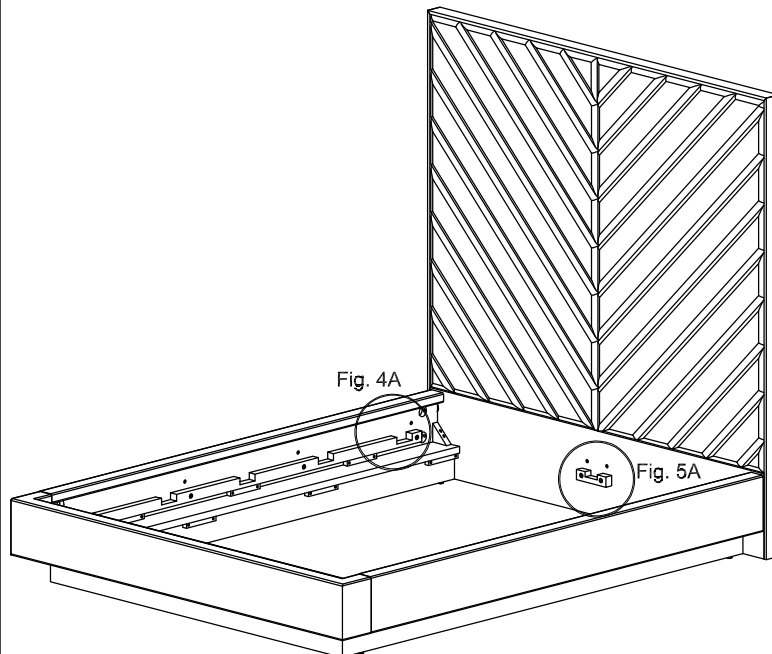
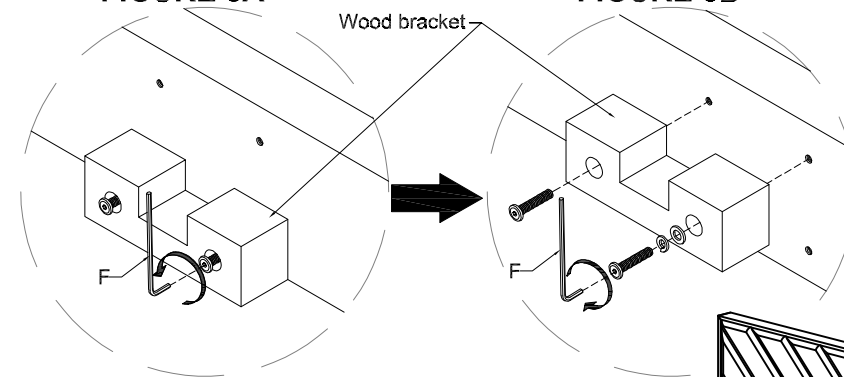


FIGURE 5A

FIGURE 5B



CARE INSTRUCTIONS

1. Dust often using a clean, soft, dry and lint-free cloth.
2. Blot spills immediately and wipe with a clean, damp, cloth
3. We do not recommend the use of chemical cleansers, abrasives or furniture polish on our lacquered finish.

IMPORTANT SAFETY INSTRUCTIONS

1. Please read all instructions carefully before assembling.
2. For your safety, assembly by two or more adults is strongly recommended.
3. Keep instructions for future use.
4. Use only vendor supplied hardware to assemble. Using unauthorized hardware could jeopardize the structural integrity of the item.