

PIEZAS

**EXTENDABLE DINING TABLE
ASSEMBLY INSTRUCTION**

WOU

PIEZAS TABLE IS A PIECE OF FURNITURE INSPIRED BY THE SIMPLE GESTURE OF FITTING ONE PIECE OF A TOY INTO ANOTHER AS IF WERE A LEGO CONSTRUCTION SET, WHERE WE JOINED A BRICK TO ANOTHER TO CREATE ALL KIND OF OBJECTS. THAT IDEA IS WHAT I WANT TO REFLECT WHEN YOU SEE THE TABLETOP EMBEDDED IN THE METAL STRUCTURE. IN TURN, I WANT TO DESIGN AN ELEGANT, SIMPLE AND WITH A STRONG SILHOUETTE TABLE.

Silvia Ceñal

SILVIA CEÑAL

THIS INSTRUCTIONS MANUAL IS VALID FOR:

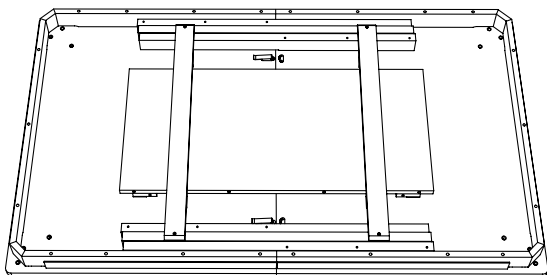
PIEZAS DINING TABLE (95 X 160 CM)

PIEZAS DINING TABLE (95 X 200 CM)

ASSEMBLY INSTRUCTION

**PLEASE GO THROUGH THE FOLLOWING
STEPS CAREFULLY. RETAIN THIS MANUAL
FOR FUTURE REFERENCE TO ENSURE THAT
YOUR NEW ITEM IS CORRECTLY ASSEMBLED
IN CASE IT SHOULD BE DISASSEMBLED OR
MOVED. WE ARE NOT RESPONSIBLE FOR
ANY FAULTS OR DAMAGES CAUSED BY
NOT FOLLOWING THESE INSTRUCTIONS
CORRECTLY.**

A x 1



B x 4



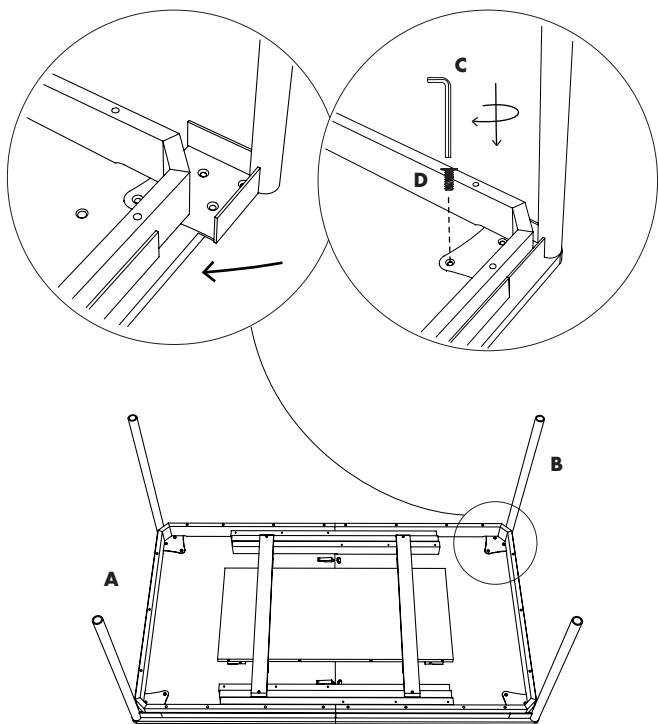
C x 1



D x 16

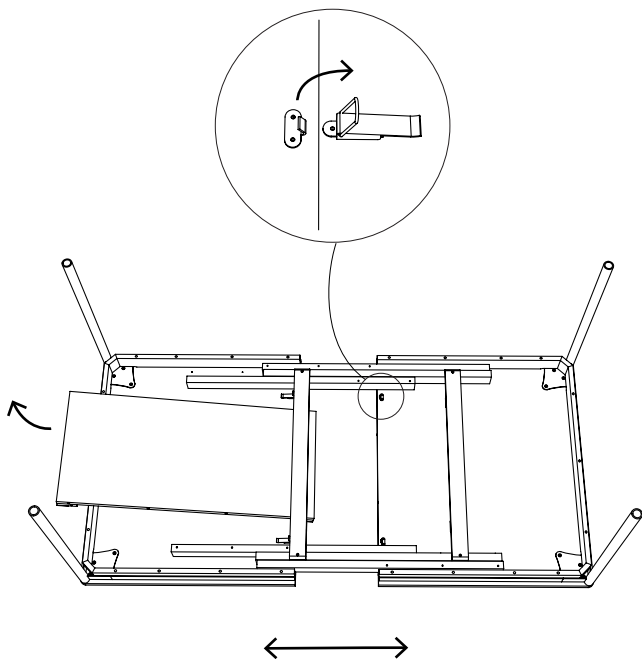
STEP 1

PLACE THE TABLE TOP ON A SOFT CARPET OR RUG.
SLIDE THE METAL LEGS IN BETWEEN THE TABLE TOP AND FRAME



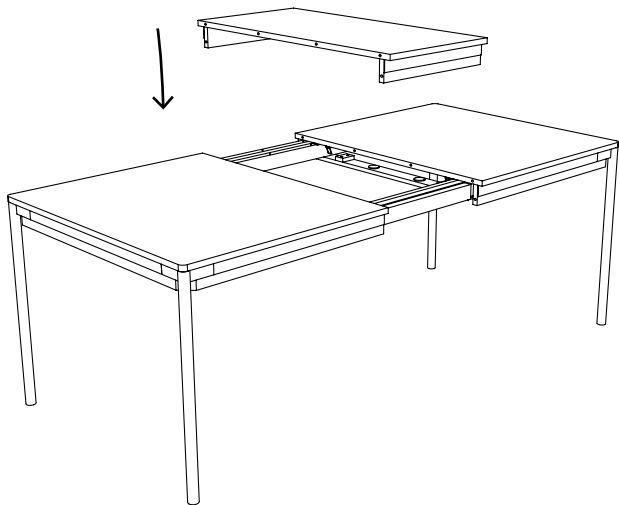
STEP 2

BEFORE REMOVING THE EXTENDABLE LEAF, OPEN THE HASP LOCKS UNDERNEATH THE TABLE TOP. THEN LIFT AND PULL THE TABLE.



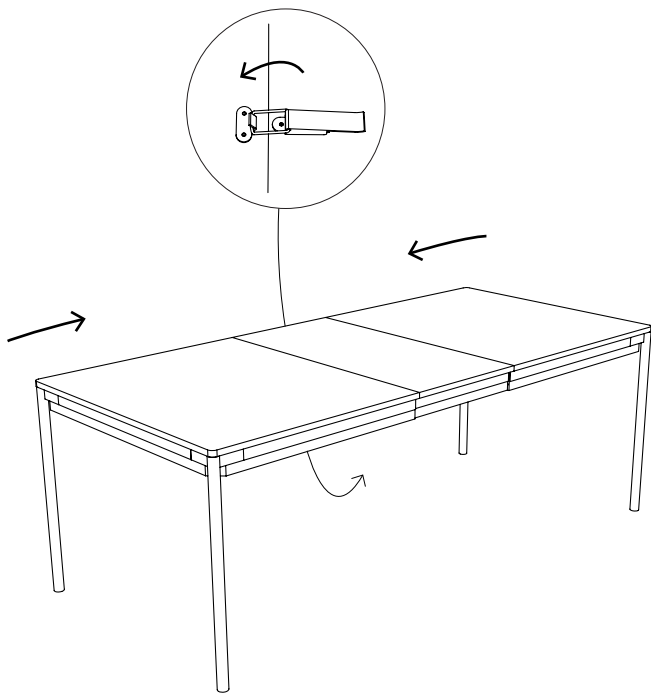
STEP 3

PLACE THE EXTENDABLE LEAF IN
THE MIDDLE OF THE TWO TABLE TOPS



STEP 4

GENTLY PUSH THE DINING TABLE TOGETHER AND LOCK THE HASPS UNDERNEATH THE TABLE TOP. TO REMOVE THE EXTENDABLE LEAF, FOLLOW STEP 2-4 IN REVERSE.



DESIGNED BY
SILVIA CEÑAL