

PIEZAS

**DINING TABLE
ASSEMBLY INSTRUCTION**

W O U D

PIEZAS TABLE IS A PIECE OF FURNITURE INSPIRED BY THE SIMPLE GESTURE OF FITTING ONE PIECE OF A TOY INTO ANOTHER AS IF WERE A LEGO CONSTRUCTION SET, WHERE WE JOINED A BRICK TO ANOTHER TO CREATE ALL KIND OF OBJECTS. THAT IDEA IS WHAT I WANT TO REFLECT WHEN YOU SEE THE TABLETOP EMBEDDED IN THE METAL STRUCTURE. IN TURN, I WANT TO DESIGN AN ELEGANT, SIMPLE AND WITH A STRONG SILHOUETTE TABLE.

Silvia Ceñal

SILVIA CEÑAL

THIS INSTRUCTIONS MANUAL IS VALID FOR:

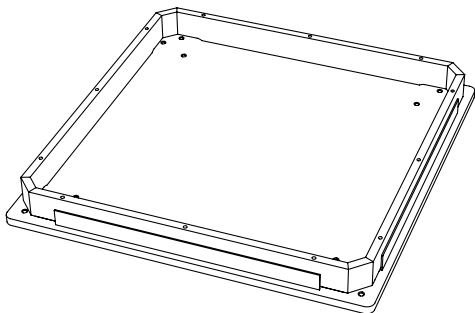
PIEZAS DINING TABLE (85 X 85 CM)

PIEZAS DINING TABLE (85 X 140 CM)

ASSEMBLY INSTRUCTION

**PLEASE GO THROUGH THE FOLLOWING
STEPS CAREFULLY. RETAIN THIS MANUAL
FOR FUTURE REFERENCE TO ENSURE THAT
YOUR NEW ITEM IS CORRECTLY ASSEMBLED
IN CASE IT SHOULD BE DISASSEMBLED OR
MOVED. WE ARE NOT RESPONSIBLE FOR
ANY FAULTS OR DAMAGES CAUSED BY
NOT FOLLOWING THESE INSTRUCTIONS
CORRECTLY.**

A x 1



B x 4



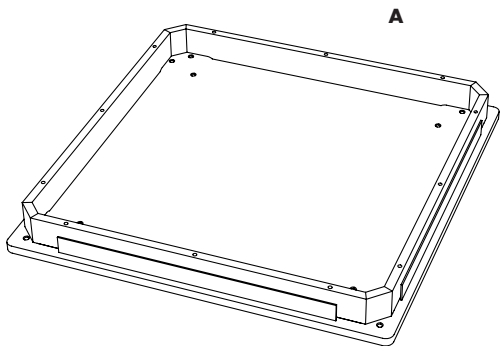
C x 1



D x 16

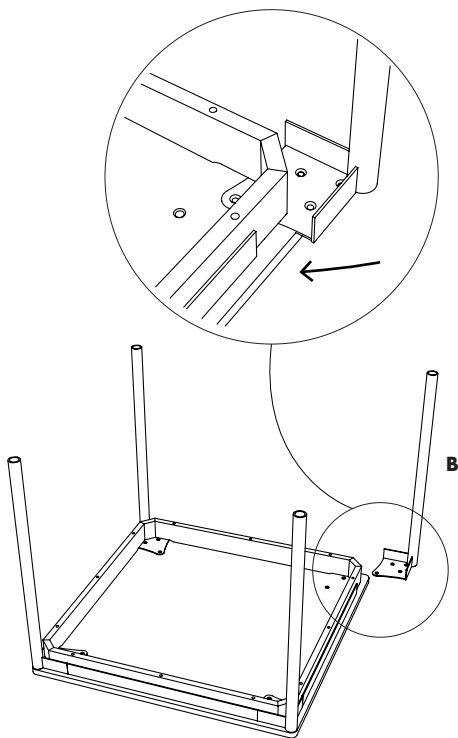
STEP 1

PLACE THE TABLE TOP ON A SOFT CARPET OR RUG



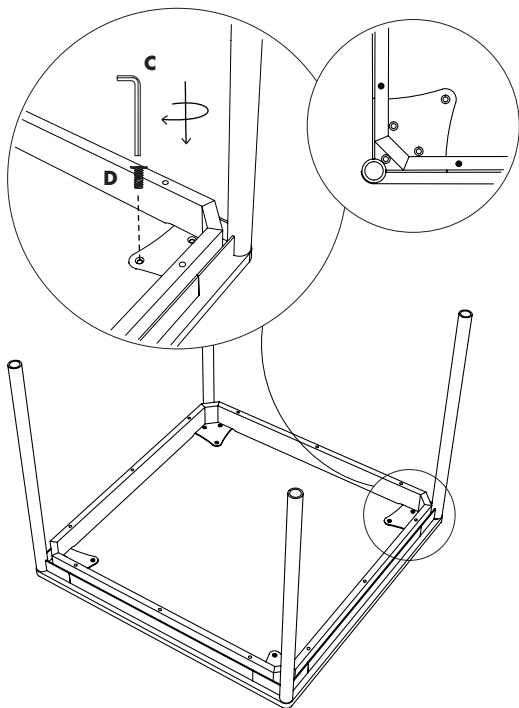
STEP 2

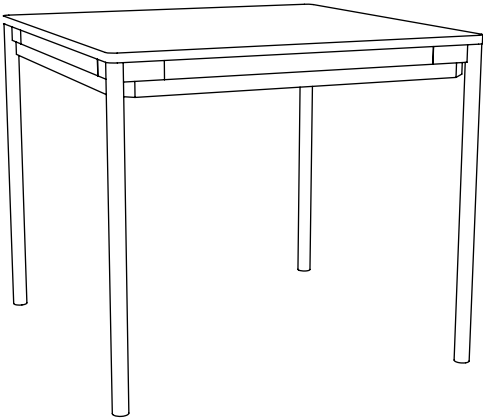
SLIDE THE METAL LEGS IN BETWEEN THE TABLE TOP AND FRAME



STEP 3

TIGHTEN THE SCREWS BOLTS WITH THE HEX KEY.
THEN LIFT AND FLIP THE TABLE.





DESIGNED BY
SILVIA CEÑAL