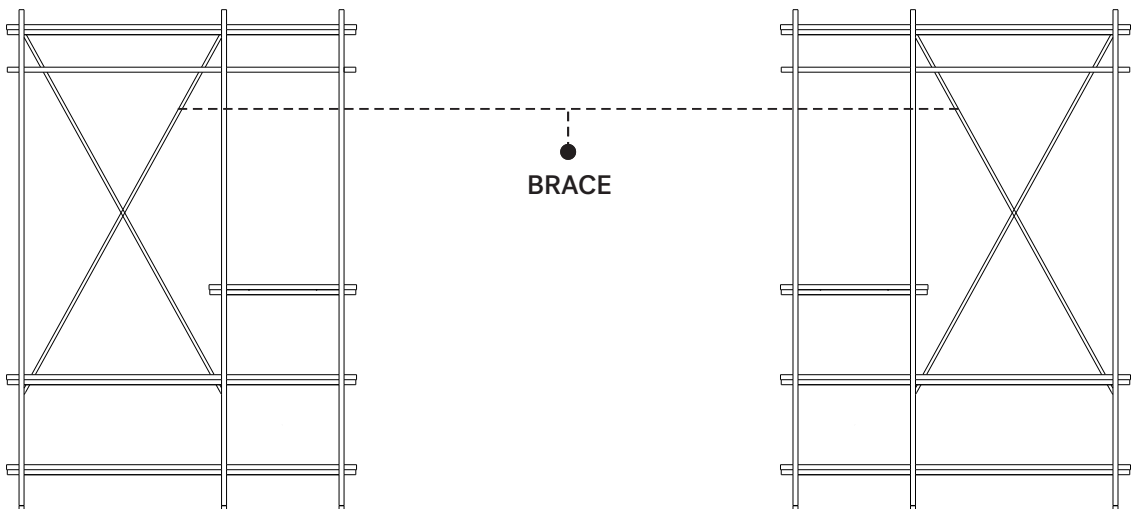
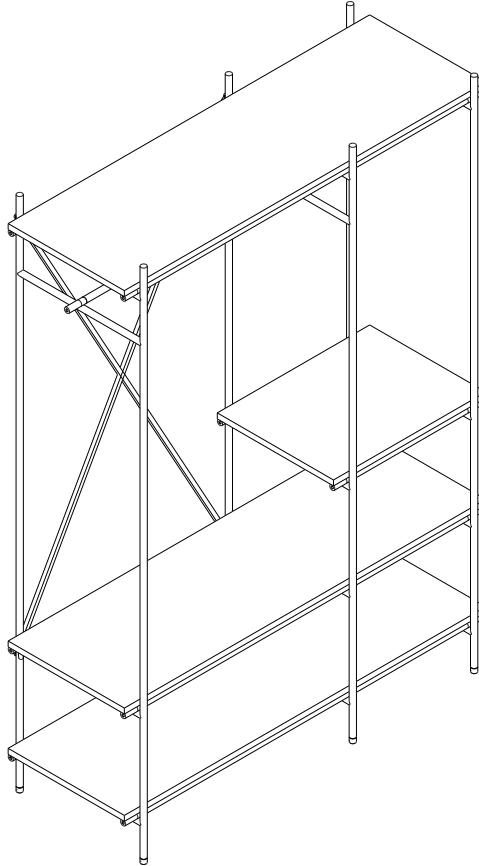


Ethnicraft

ASSEMBLY INSTRUCTIONS FOR RACK INSTALLATION

TEAK OSCAR BROWN RACK - WITH CLOTHES HANGING BAR

CODE	DESCRIPTION
10101	TEAK OSCAR BROWN RACK - WITH CLOTHES HANGING BAR 140/51/197

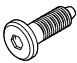
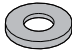
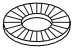

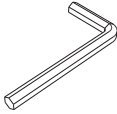


OPTION 1 (BRACE ON THE LEFT SIDE)

OPTION 2 (BRACE ON THE RIGHT SIDE)

10101 TEAK OSCAR BROWN RACK - WITH CLOTHES HANGING BAR ASSEMBLY INSTRUCTIONS FOR RACK INSTALLATION

HARDWARE & TOOLS ENCLOSED

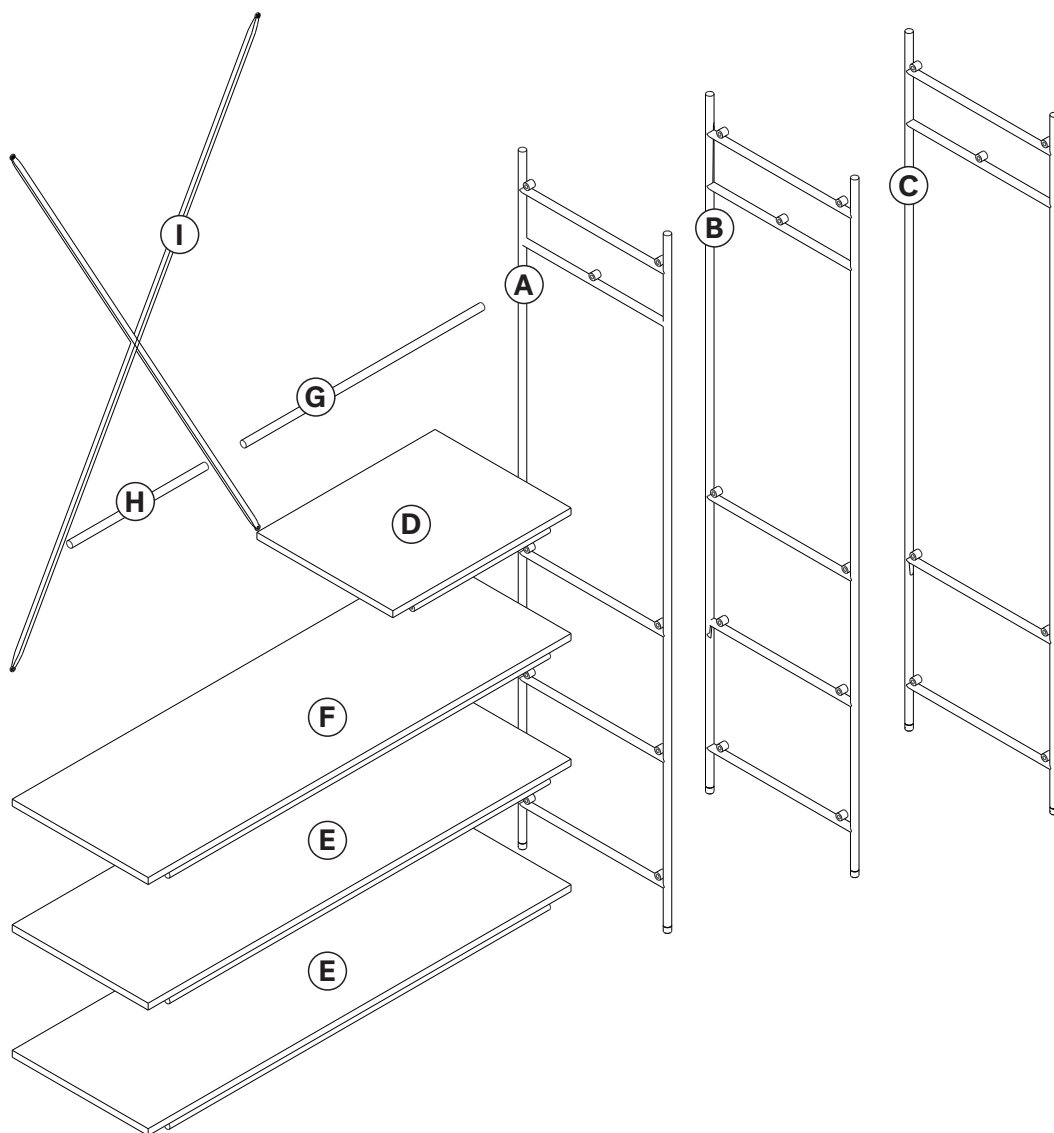
 <p>JCBC SCREW M6x20 (4pcs)</p>	 <p>FLAT RUBBER (4pcs)</p>	 <p>LOCK WASHER (4pcs)</p>	 <p>WASHER M6 (4pcs)</p>	 <p>ALLEN KEY (M4)</p>
--------------------------------------------------------------------------------------------------------------------------	-----------------------------------------------------------------------------------------------------------------	-----------------------------------------------------------------------------------------------------------------	-------------------------------------------------------------------------------------------------------------------	--------------------------------------------------------------------------------------------------------------

IN YOUR PACKAGE :

ASSEMBLY INSTRUCTIONS
HARDWARE (AS LISTED ABOVE)

PARTS TO BE INSTALLED

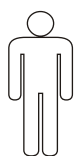
- A. LEFT FRAME (1 pc)
- B. MIDDLE FRAME (1 pc)
- C. RIGHT FRAME (1 pc)
- D. SHORT SHELF (1 pc)
- E. LOWER SHELVES (2 pcs)
- F. TOP SHELF (1pc)
- G. LONG HANGER BAR (1 pc)
- H. SHORT HANGER BAR (1 pc)
- I. BRACE (1 pc)



SYMBOLS



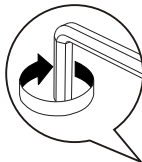
DIRECTION



NUMBER OF
PERSONS NEEDED

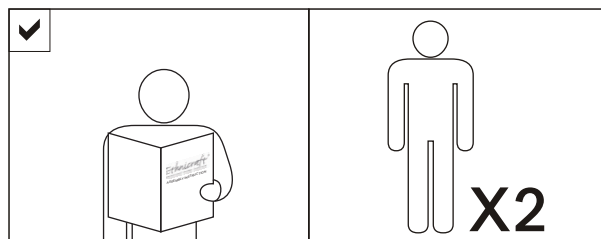


USE HAND



USE ALLEN KEY
TO TIGHTEN

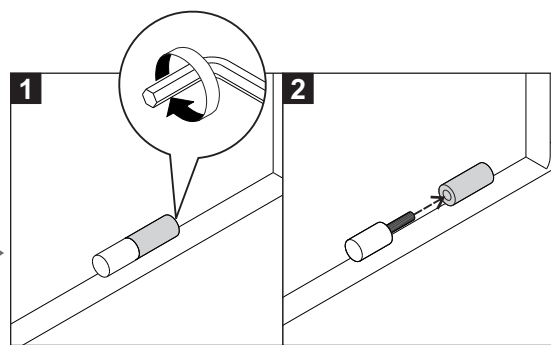
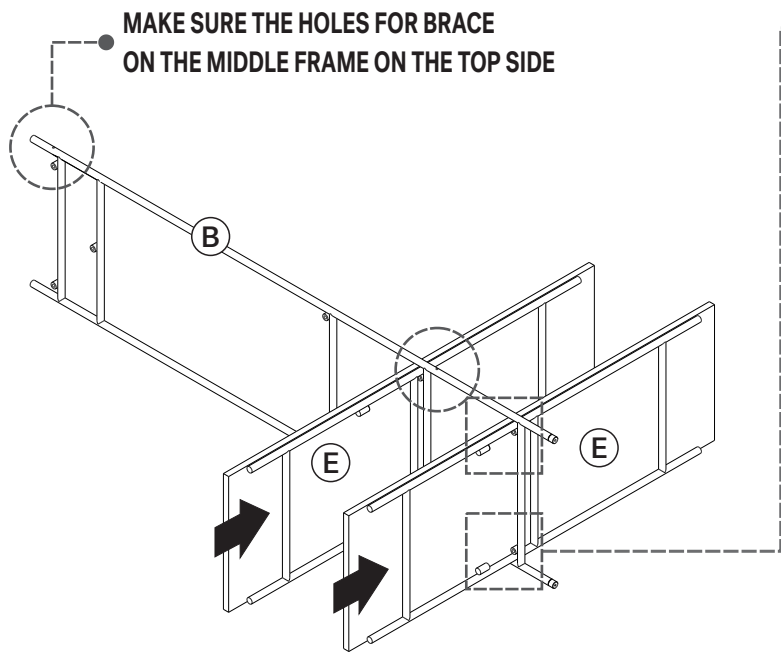
NOTICE



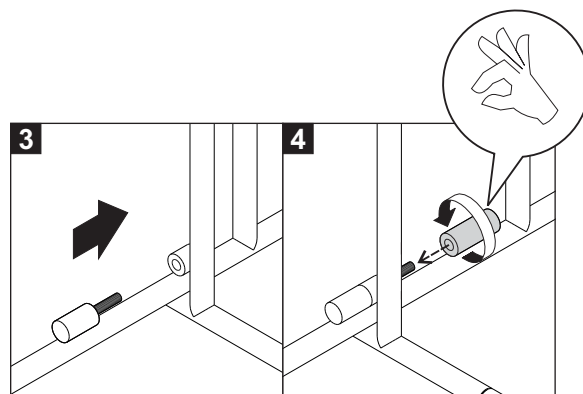
10101 TEAK OSCAR BROWN RACK - WITH CLOTHES HANGING BAR ASSEMBLY INSTRUCTIONS FOR RACK INSTALLATION

A ATTACHING LOWER SHELVES TO MIDDLE FRAME

OPTION 1

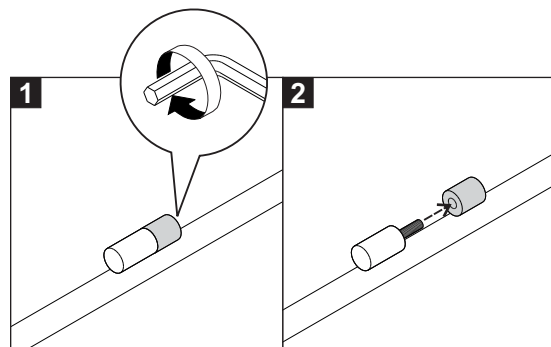
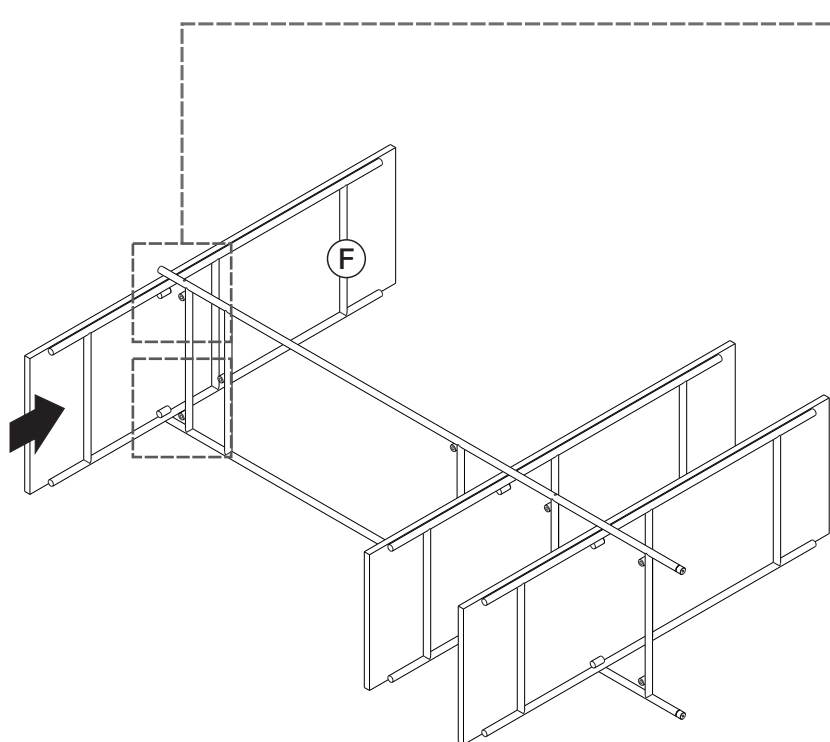


⚠ REMOVE LONG NUTS FROM LOWER SHELVES. THEY WILL BE USED TO REASSEMBLE IN NEXT STEP, DO NOT DISCARD

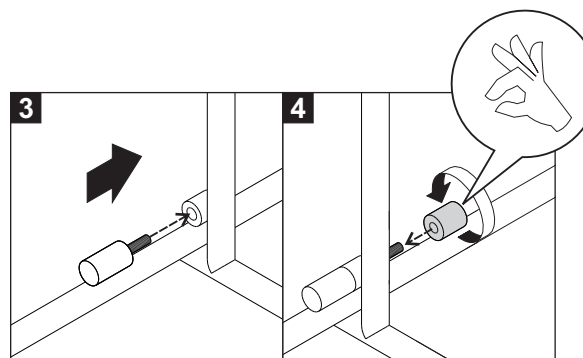


⚠ - RE-FIT THE PREVIOUSLY REMOVED NUTS
- DO NOT TIGHTEN FULLY

B ATTACHING TOP SHELF TO MIDDLE FRAME



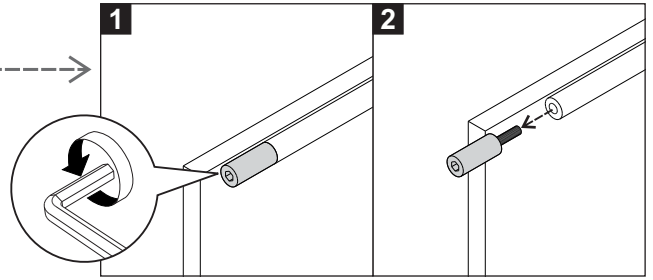
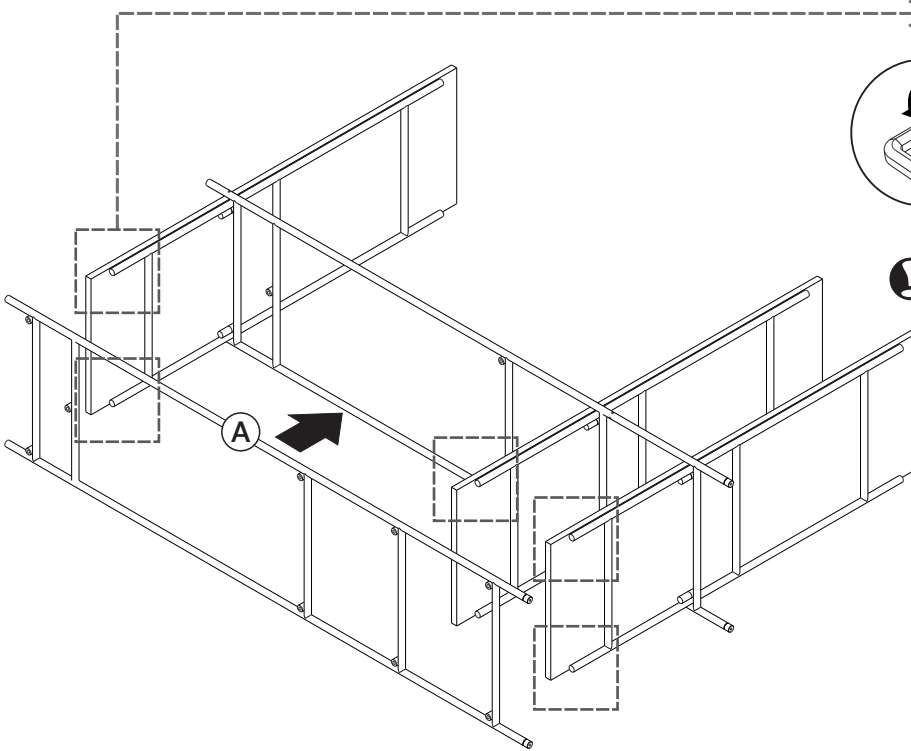
⚠ REMOVE SHORT NUTS FROM TOP SHELF. THEY WILL BE USED TO REASSEMBLE IN NEXT STEP, DO NOT DISCARD



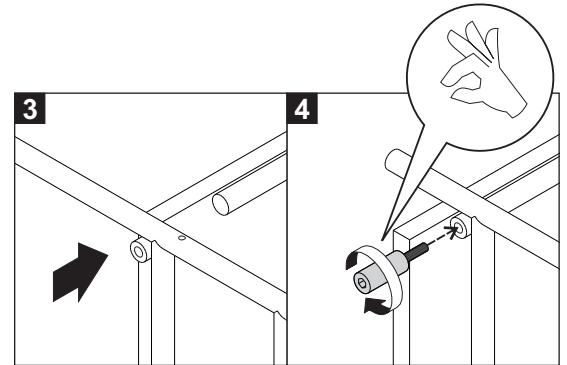
⚠ - RE-FIT THE PREVIOUSLY REMOVED NUTS
- DO NOT TIGHTEN FULLY

10101 TEAK OSCAR BROWN RACK - WITH CLOTHES HANGING BAR ASSEMBLY INSTRUCTIONS FOR RACK INSTALLATION

C ATTACHING LEFT FRAME

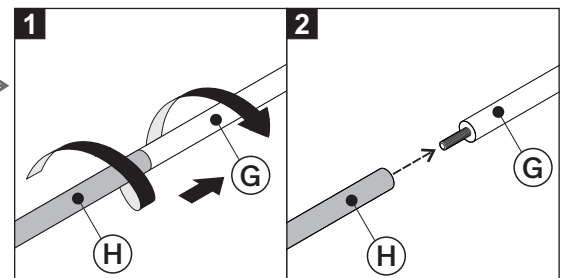
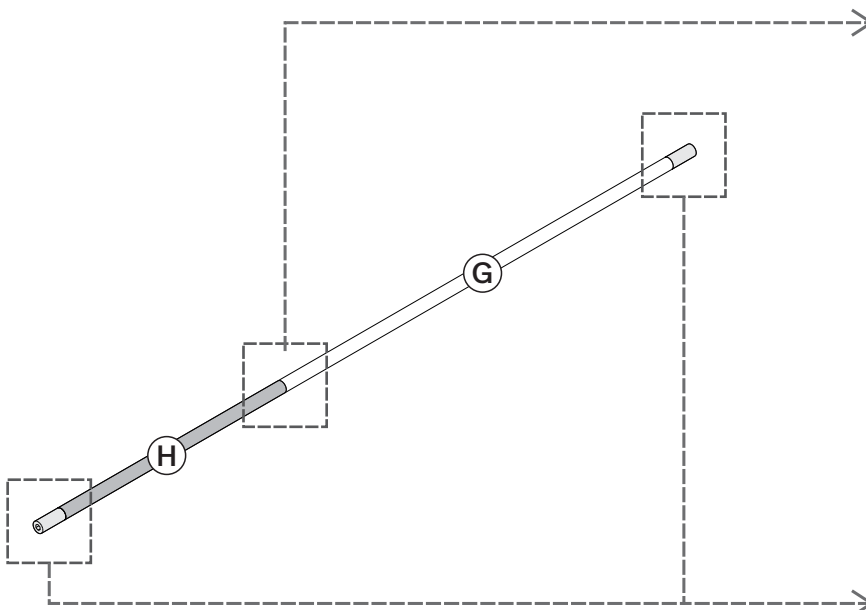


1 REMOVE BOLTS FROM SHELVES.
2 THEY WILL BE USED REASSEMBLE IN NEXT STEP,
DO NOT DISGUARD

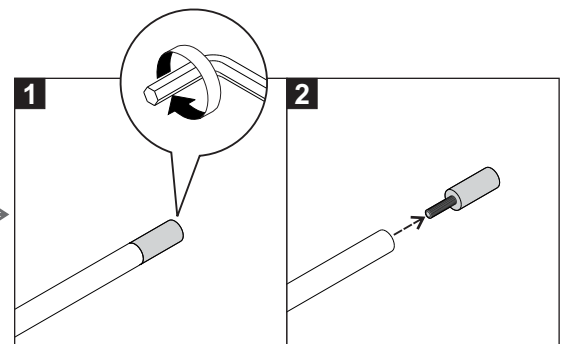


3 - RE-FIT THE PREVIOUSLY REMOVED BOLTS
4 - DO NOT TIGHTEN FULLY

D RELEASING HANGER BAR



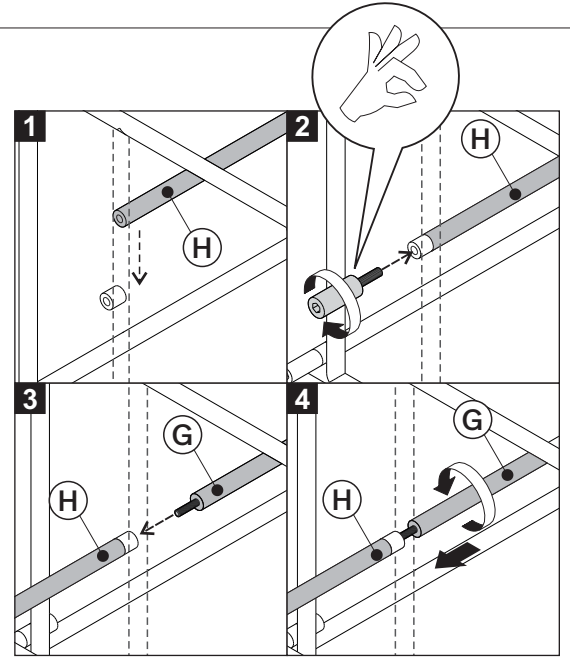
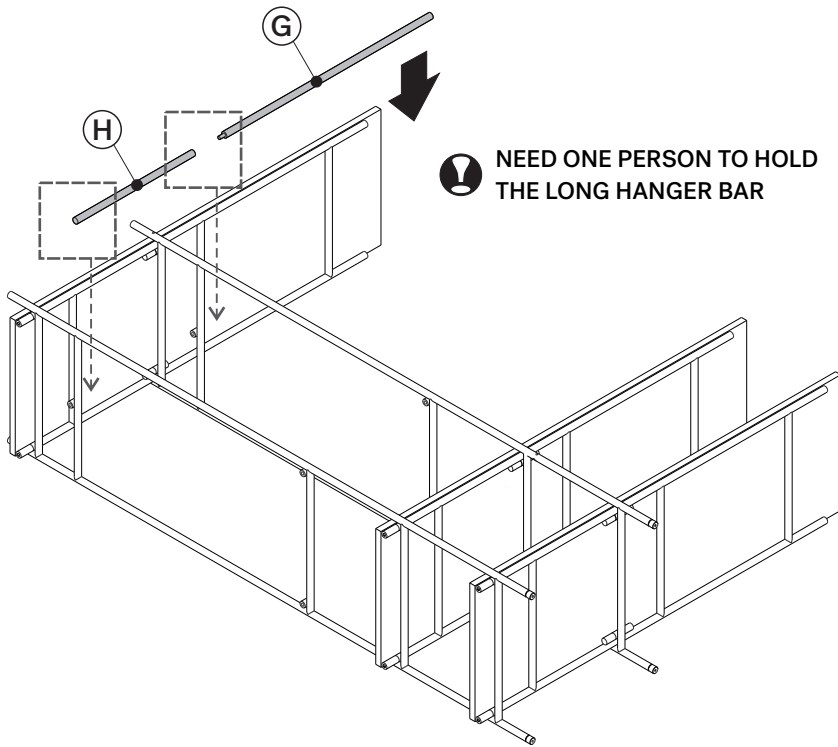
1 REMOVE ALL PARTS



1 REMOVED BOLTS FROM THE HANGER.
2 THEY WILL BE USED TO REASSEMBLE IN NEXT STEP,
DO NOT DISGUARD

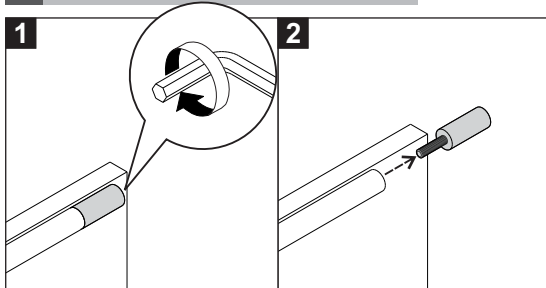
10101 TEAK OSCAR BROWN RACK - WITH CLOTHES HANGING BAR ASSEMBLY INSTRUCTIONS FOR RACK INSTALLATION

E ATTACHING HANGER BARS

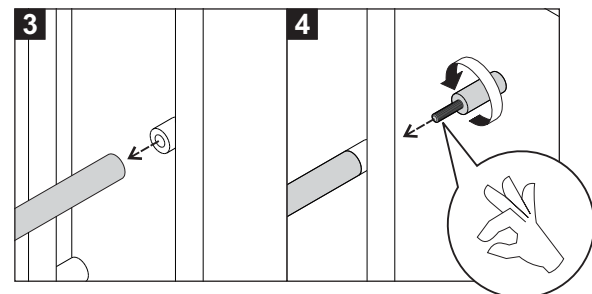


- ! - RE-FIT THE PREVIOUSLY REMOVED BOLTS**
- DO NOT TIGHTEN FULLY**

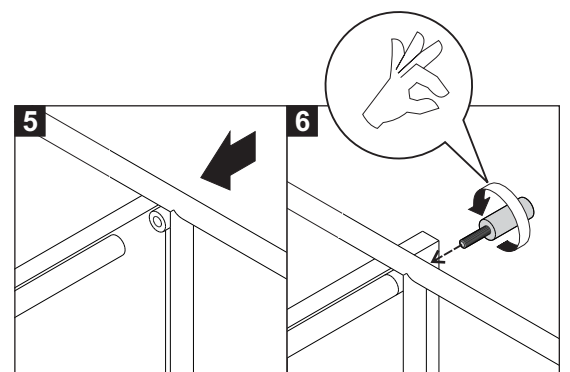
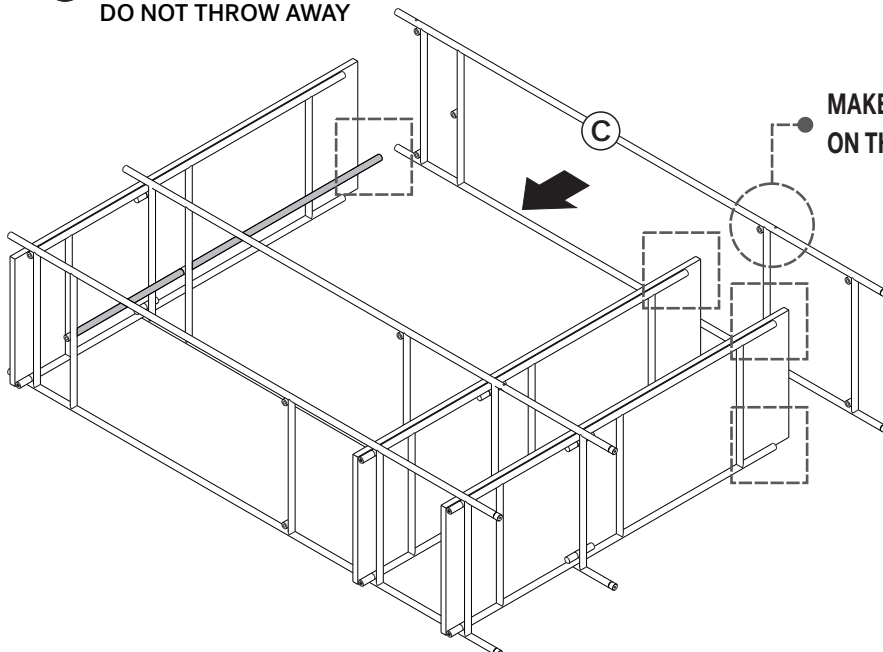
F ATTACHING RIGHT FRAME



- ! REMOVED BOLTS FROM SHELVES. THEY WILL BE USED TO REASSEMBLE IN NEXT STEP, DO NOT THROW AWAY**



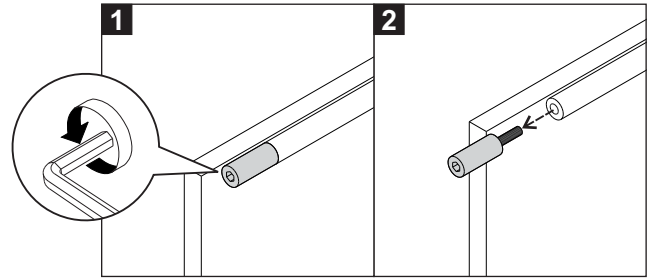
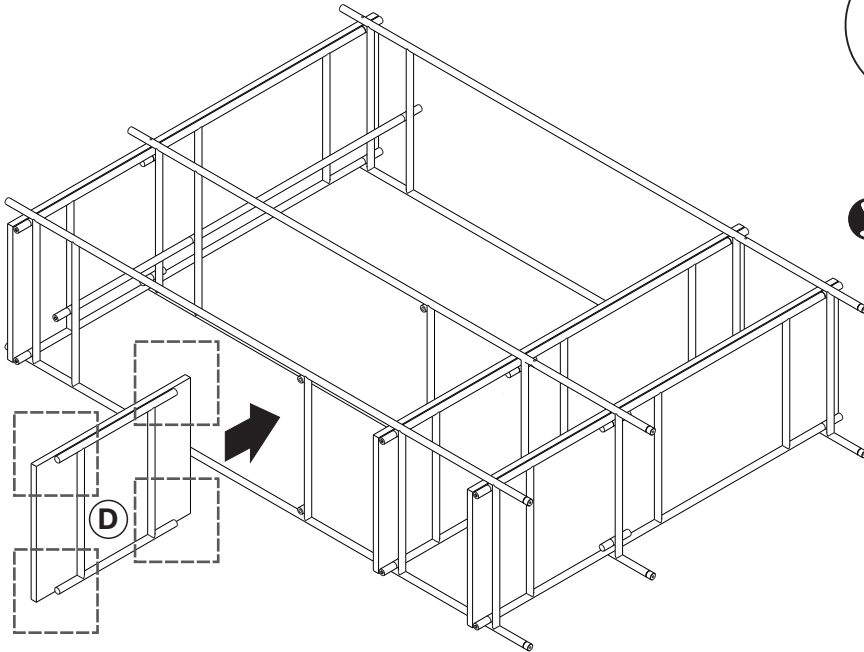
- ! - RE-FIT THE PREVIOUSLY REMOVED BOLTS**
- DO NOT TIGHTEN FULLY**



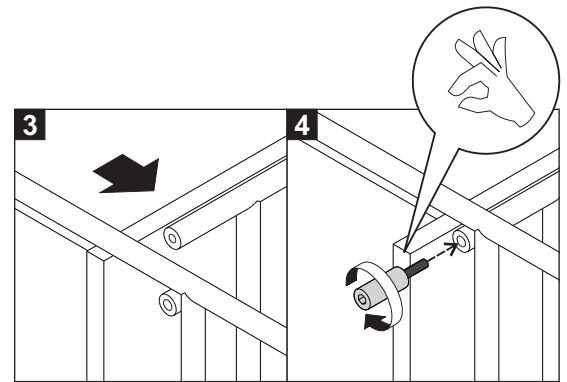
- ! - RE-FIT THE PREVIOUSLY REMOVED BOLTS**
- DO NOT TIGHTEN FULLY**

10101 TEAK OSCAR BROWN RACK - WITH CLOTHES HANGING BAR ASSEMBLY INSTRUCTIONS FOR RACK INSTALLATION

G ATTACHING SHORT SHELF

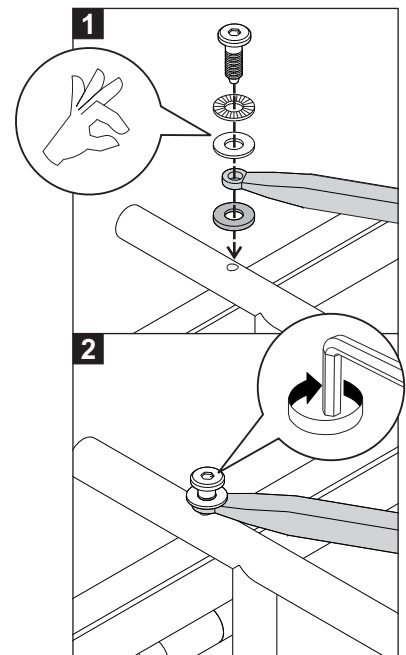
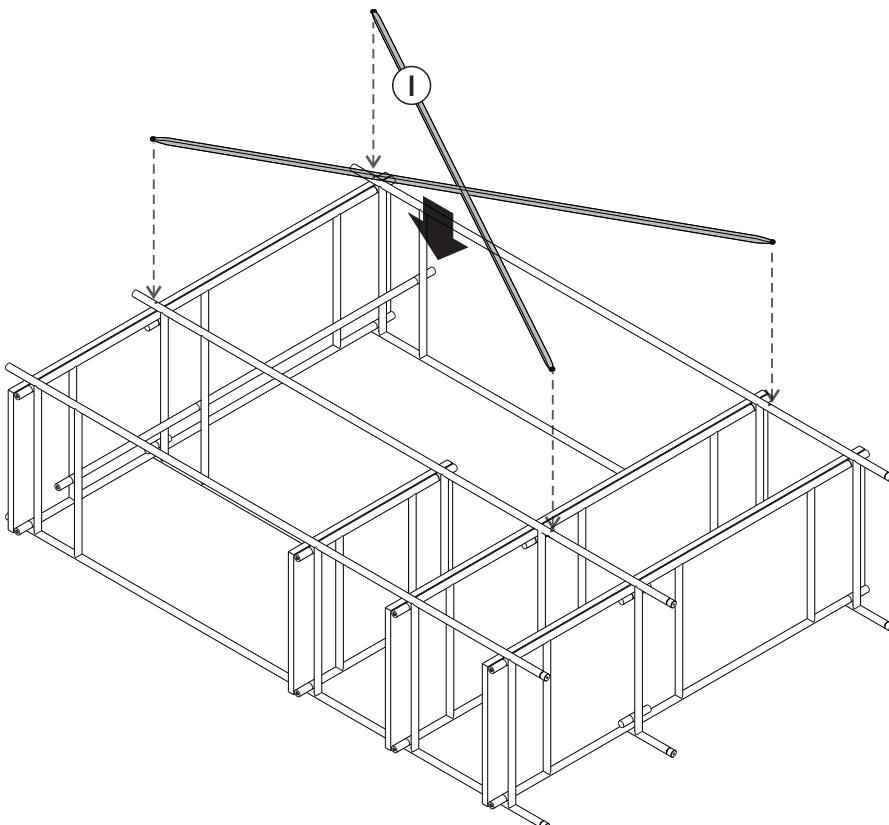


! REMOVED BOLTS FROM THE SHORT SHELF. THEY WILL BE USED TO REASSEMBLE IN NEXT STEP, DO NOT THROW AWAY



! - RE-FIT THE PREVIOUSLY REMOVED BOLTS
- DO NOT TIGHTEN FULLY

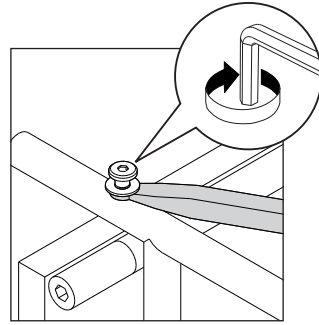
H INSTALLING BRACE



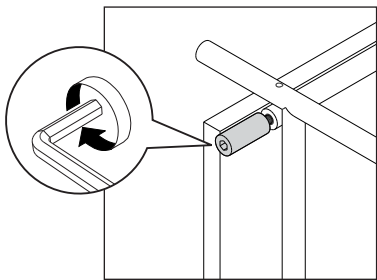
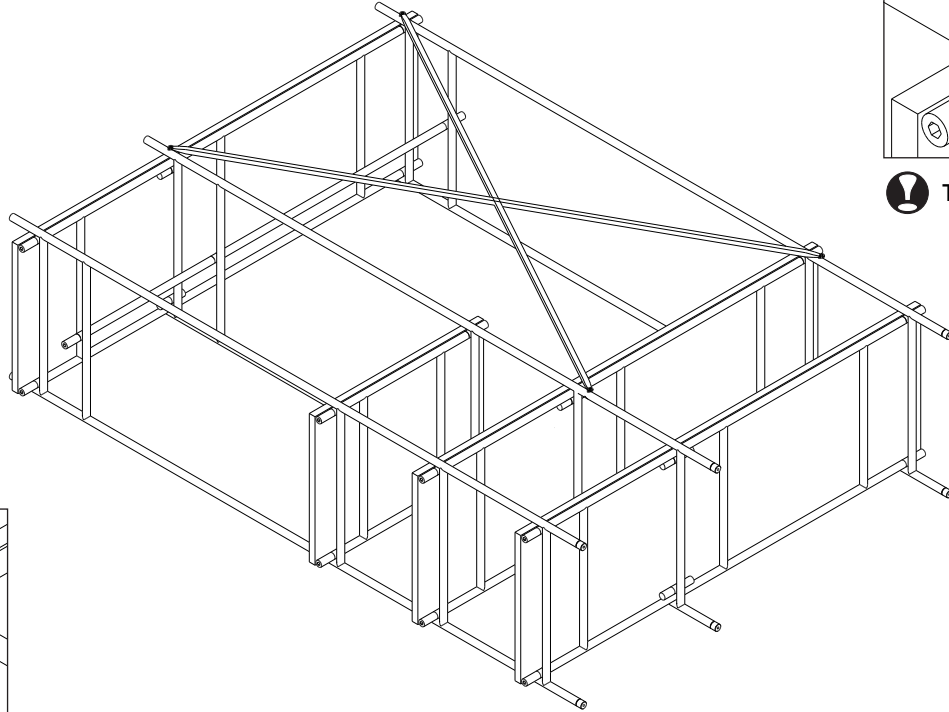
- FLAT RUBBER (4X)
- USE WASHER M6 (4X)
! - USE LOCK WASHER (4X)
- USE JCBC SCREW M6x20 (4X)
- DO NOT TIGHTEN SCREWS FULLY

10101 TEAK OSCAR BROWN RACK - WITH CLOTHES HANGING BAR ASSEMBLY INSTRUCTIONS FOR RACK INSTALLATION

I ADJUST ALL BOLTS, NUTS & SCREWS TO TIGHTEN

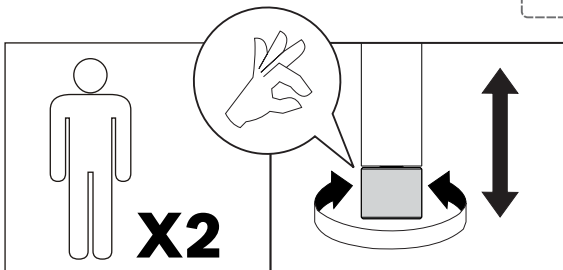
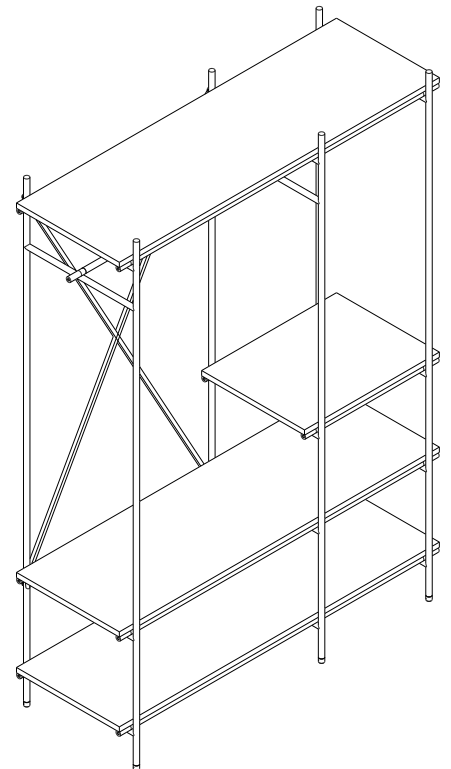
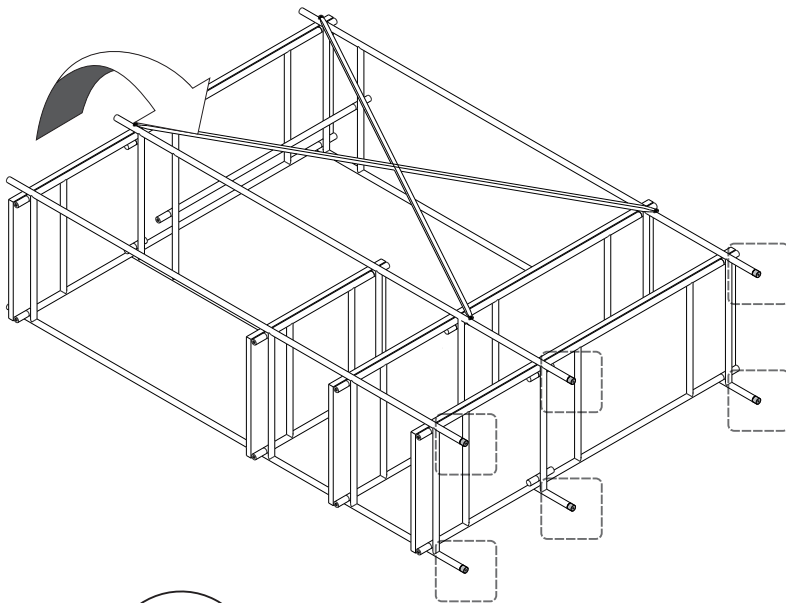


 **TIGHTEN FULLY**



 **TIGHTEN FULLY**

J STAND RACK & ADJUSTING LEVELERS

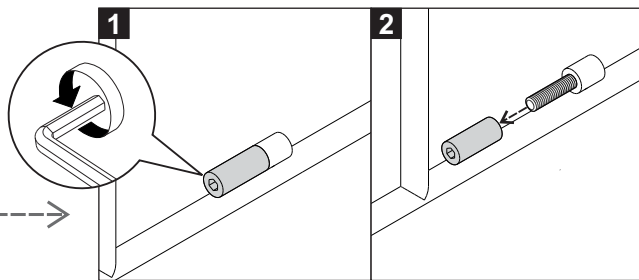
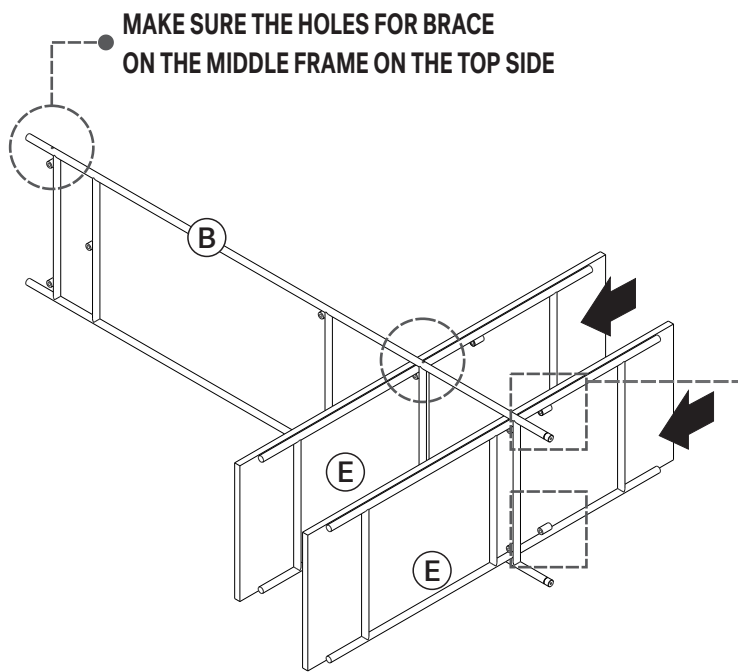


**IMPORTANT ACTION TO ENSURE A STEADY STANDING RACK:
ADJUST EACH LEVELER BY TURNING LEFT OR RIGHT
TO MAKE CONTACT WITH THE FLOOR**

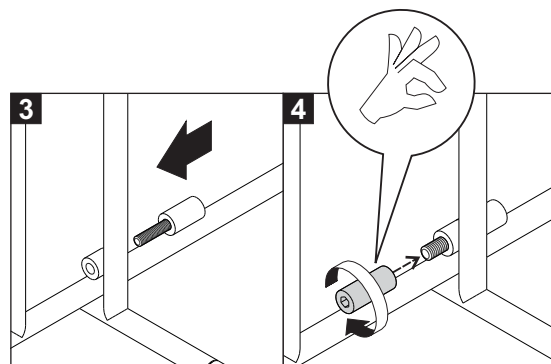
10101 TEAK OSCAR BROWN RACK - WITH CLOTHES HANGING BAR ASSEMBLY INSTRUCTIONS FOR RACK INSTALLATION

A ATTACHING LOWER SHELVES TO MIDDLE FRAME

OPTION 2

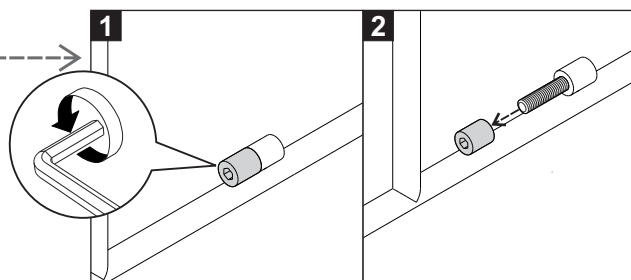
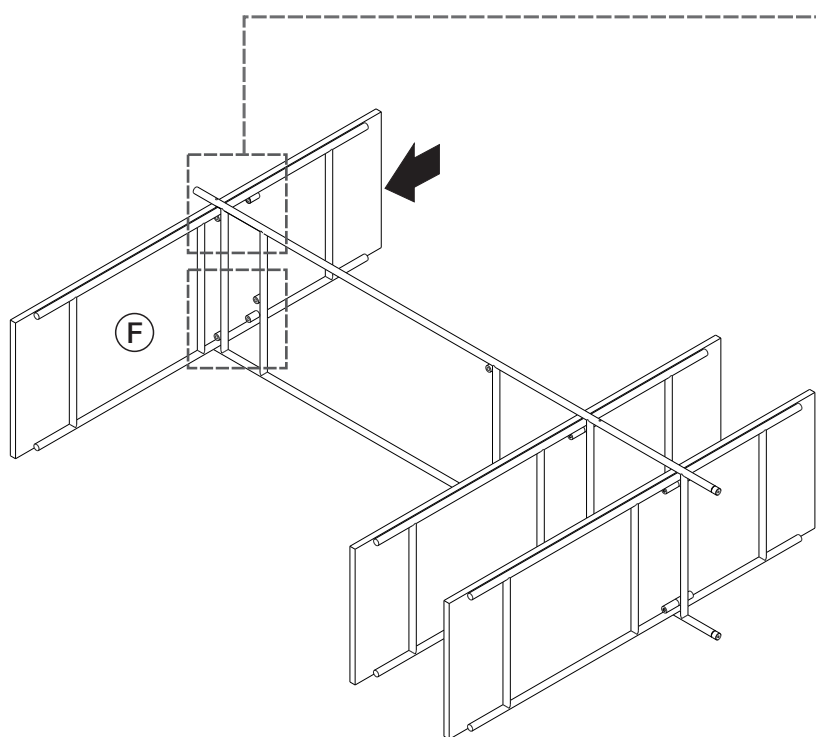


! REMOVE LONG NUTS FROM LOWER SHELVES. THEY WILL BE USED TO REASSEMBLE IN NEXT STEP, DO NOT DISCARD

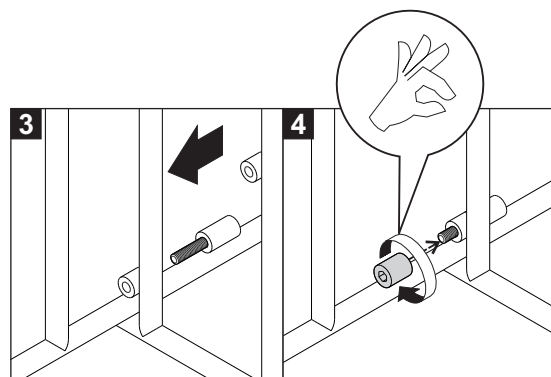


! - RE-FIT THE PREVIOUSLY REMOVED NUTS
- DO NOT TIGHTEN FULLY

B ATTACHING TOP SHELF TO MIDDLE FRAME



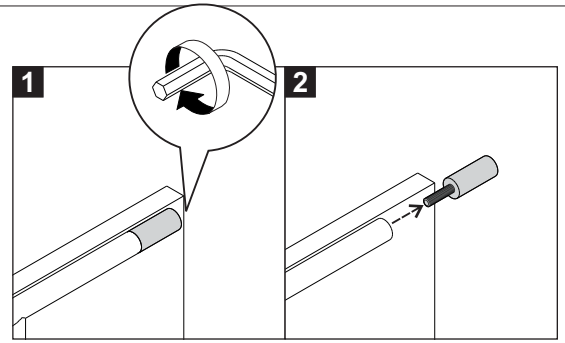
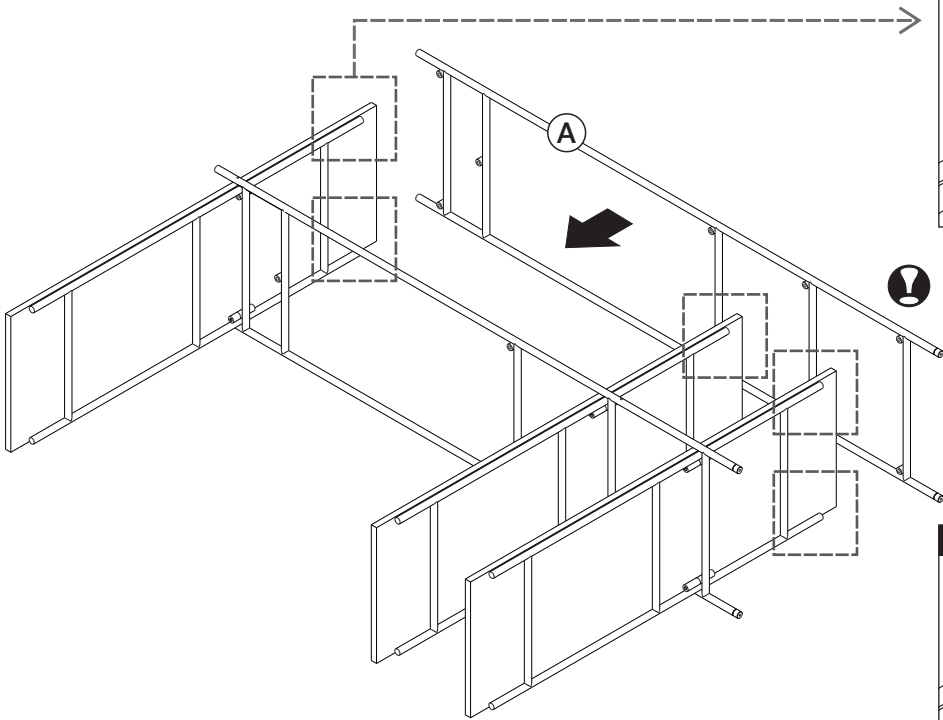
! REMOVE SHORT NUTS FROM TOP SHELF. THEY WILL BE USED TO REASSEMBLE IN NEXT STEP, DO NOT DISCARD



! - RE-FIT THE PREVIOUSLY REMOVED NUTS
- DO NOT TIGHTEN FULLY

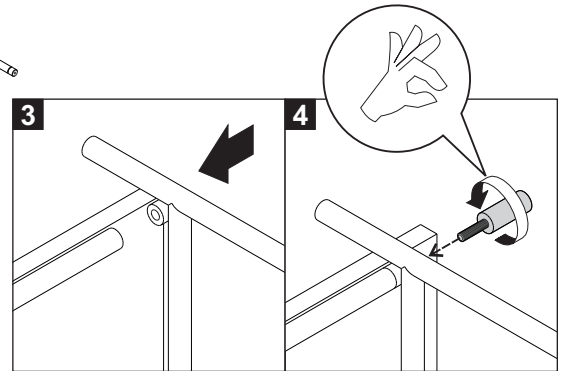
10101 TEAK OSCAR BROWN RACK - WITH CLOTHES HANGING BAR ASSEMBLY INSTRUCTIONS FOR RACK INSTALLATION

C ATTACHING LEFT FRAME



1 **2**

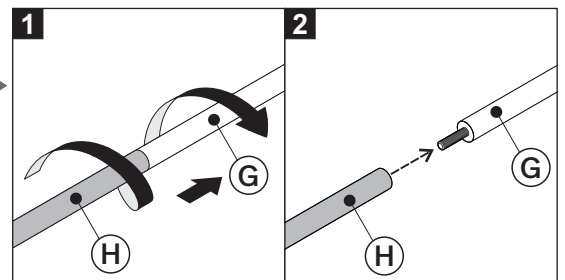
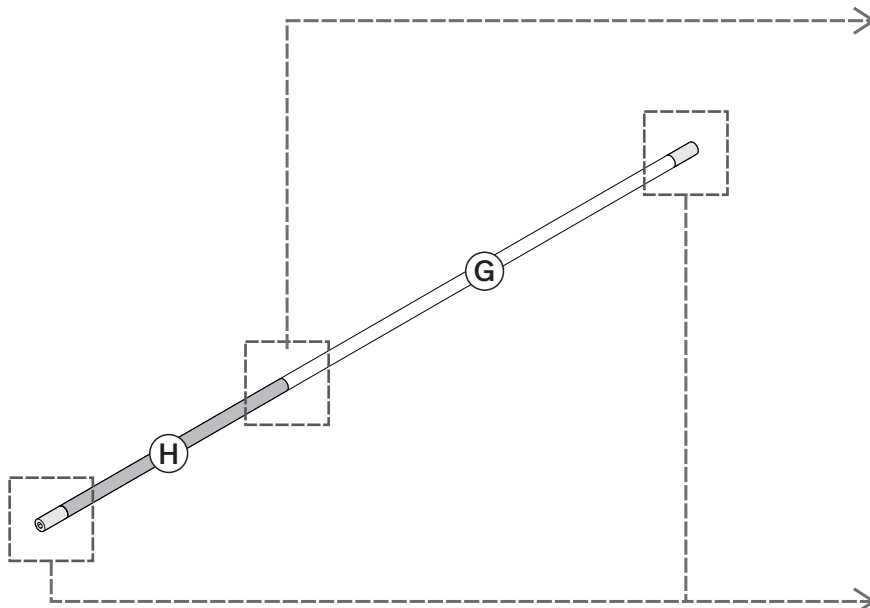
REMOVE BOLTS FROM SHELVES.
THEY WILL BE USED REASSEMBLE IN NEXT STEP,
DO NOT DISGUARD



3 **4**

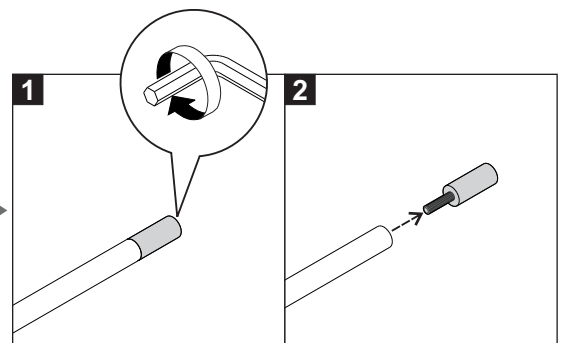
- RE-FIT THE PREVIOUSLY REMOVED BOLTS
- DO NOT TIGHTEN FULLY

D RELEASING HANGER BAR



1 **2**

REMOVE ALL PARTS

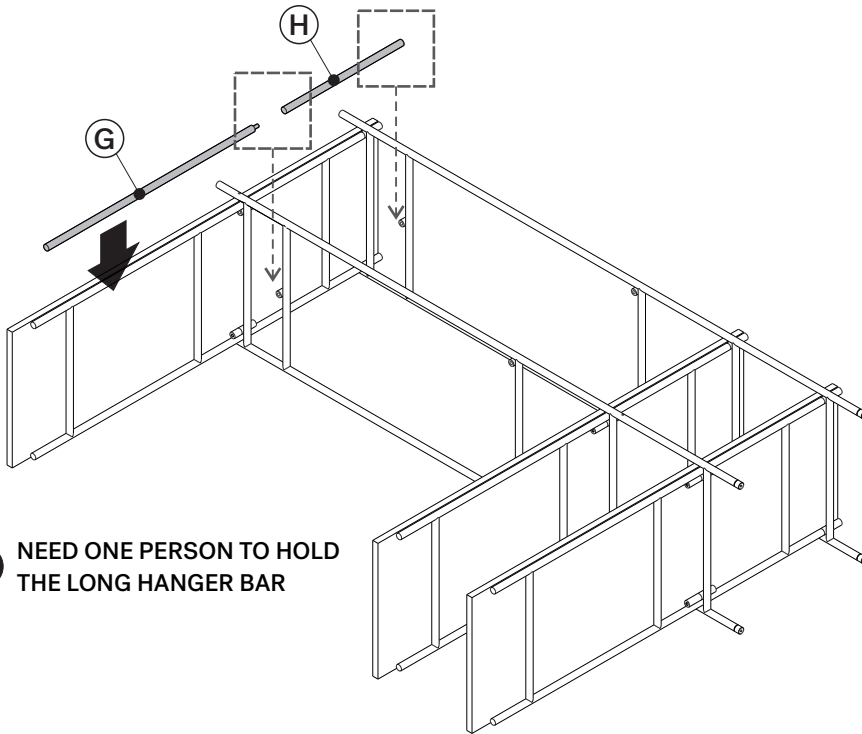


1 **2**

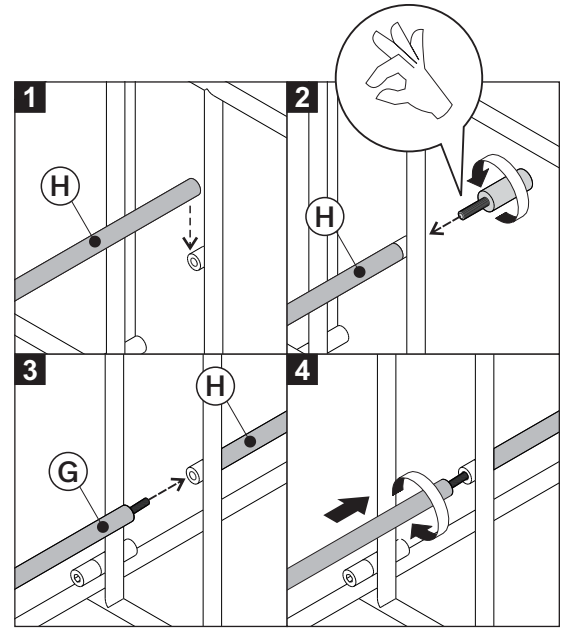
REMOVED BOLTS FROM THE HANGER.
THEY WILL BE USED TO REASSEMBLE IN NEXT STEP,
DO NOT DISGUARD

10101 TEAK OSCAR BROWN RACK - WITH CLOTHES HANGING BAR ASSEMBLY INSTRUCTIONS FOR RACK INSTALLATION

E ATTACHING HANGER BARS

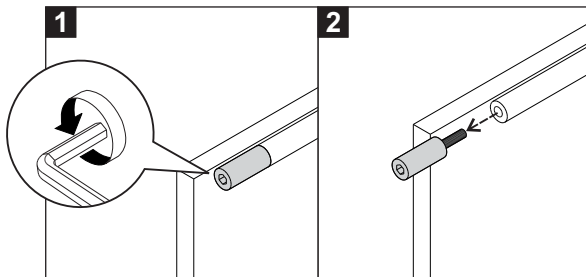


! NEED ONE PERSON TO HOLD THE LONG HANGER BAR

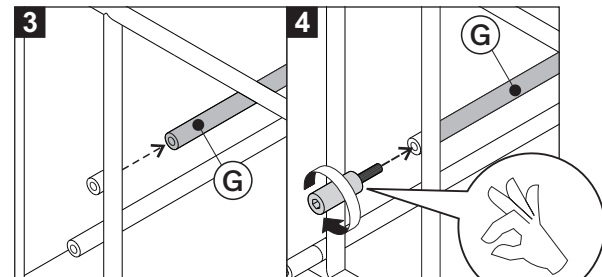


! - RE-FIT THE PREVIOUSLY REMOVED BOLTS
- DO NOT TIGHTEN FULLY

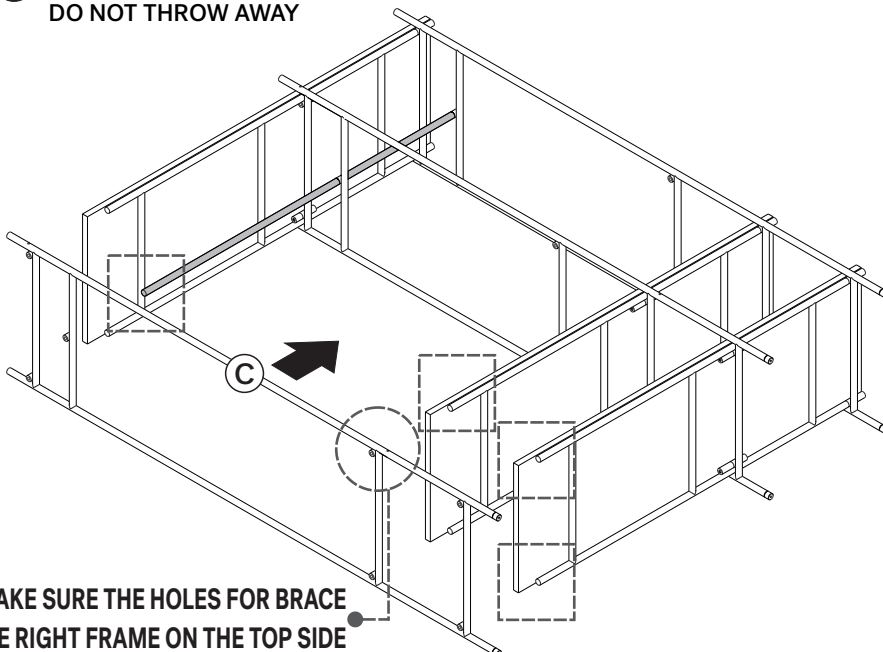
F ATTACHING RIGHT FRAME



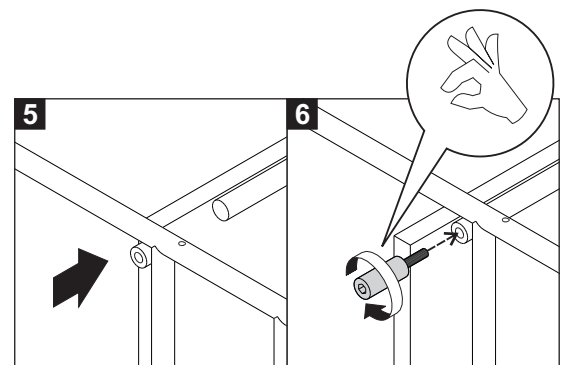
! REMOVED BOLTS FROM SHELVES.
THEY WILL BE USED TO REASSEMBLE IN NEXT STEP,
DO NOT THROW AWAY



! - RE-FIT THE PREVIOUSLY REMOVED BOLTS
- DO NOT TIGHTEN FULLY



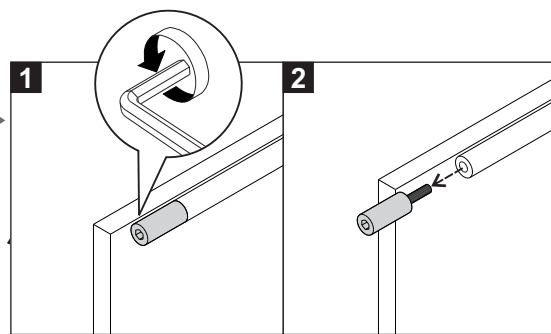
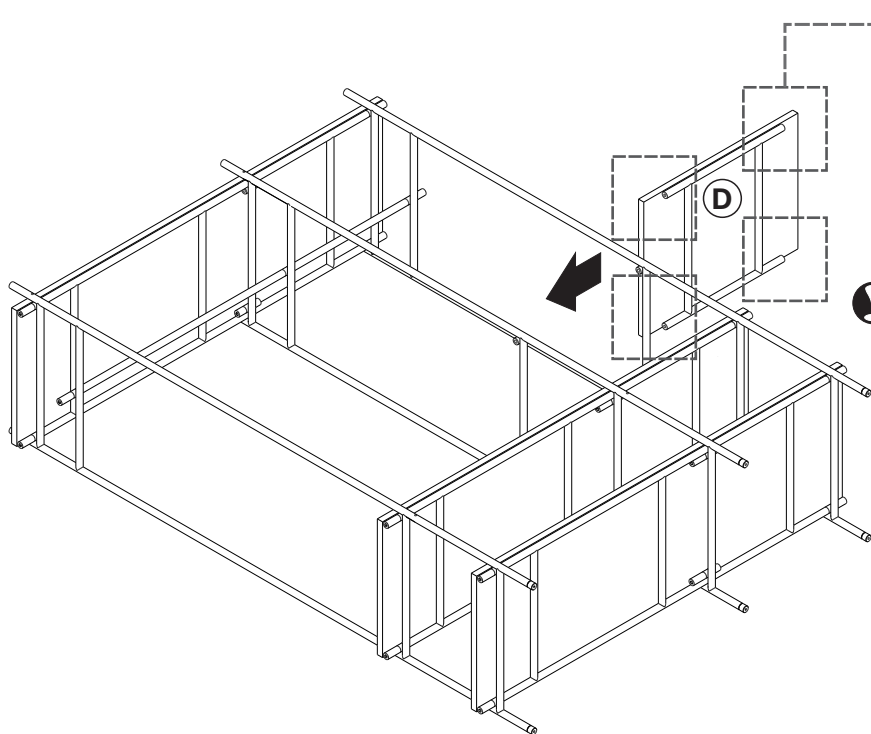
! MAKE SURE THE HOLES FOR BRACE ON THE RIGHT FRAME ON THE TOP SIDE



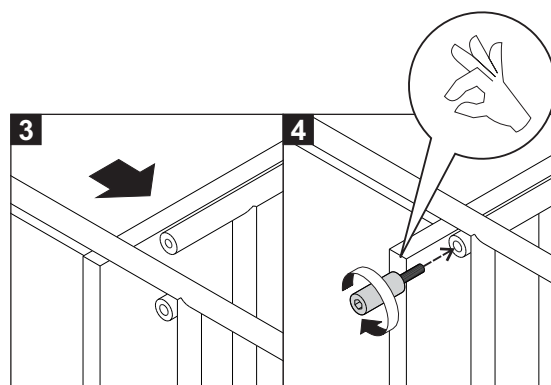
! - RE-FIT THE PREVIOUSLY REMOVED BOLTS
- DO NOT TIGHTEN FULLY

10101 TEAK OSCAR BROWN RACK - WITH CLOTHES HANGING BAR ASSEMBLY INSTRUCTIONS FOR RACK INSTALLATION

G ATTACHING SHORT SHELF

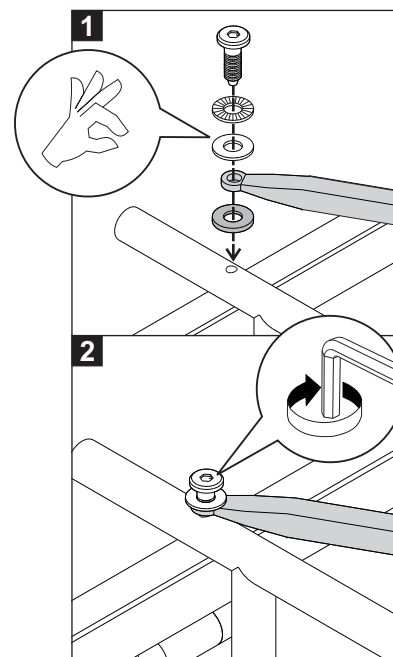
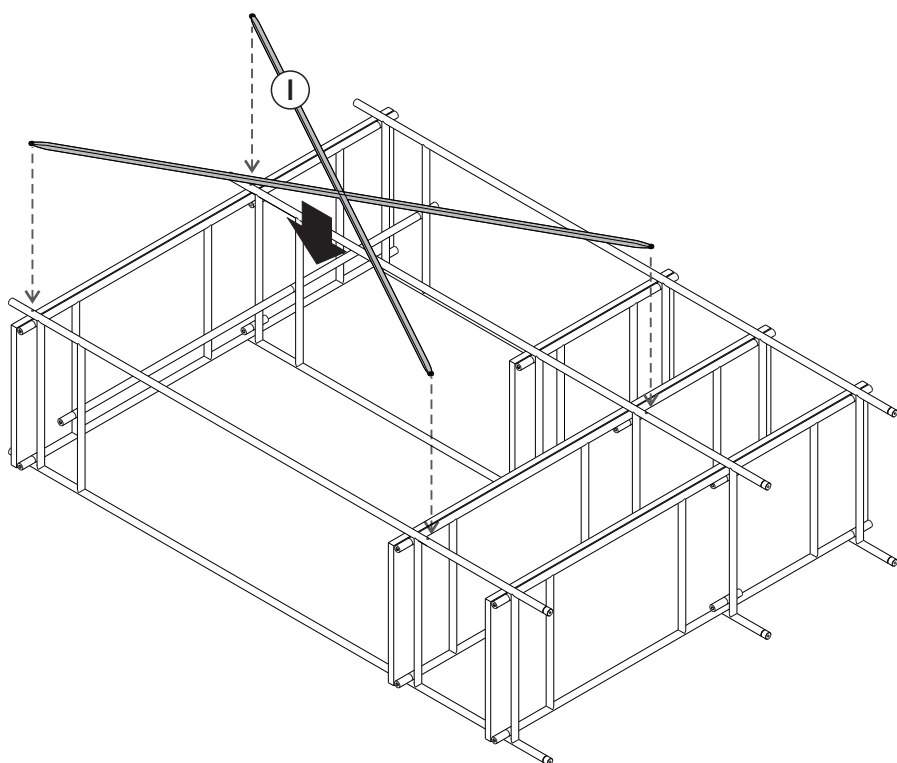


REMOVED BOLTS FROM THE SHORT SHELF. THEY WILL BE USED TO REASSEMBLE IN NEXT STEP, DO NOT THROW AWAY



**- RE-FIT THE PREVIOUSLY REMOVED BOLTS
- DO NOT TIGHTEN FULLY**

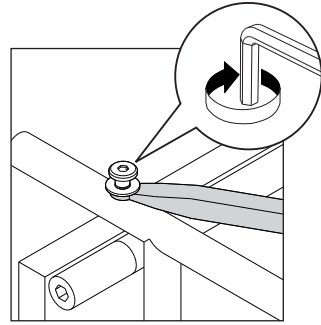
H INSTALLING BRACE



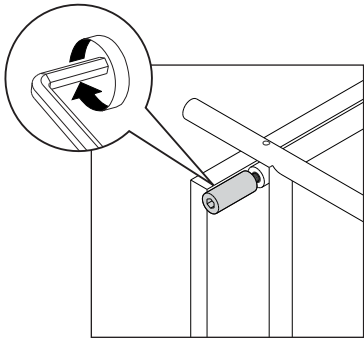
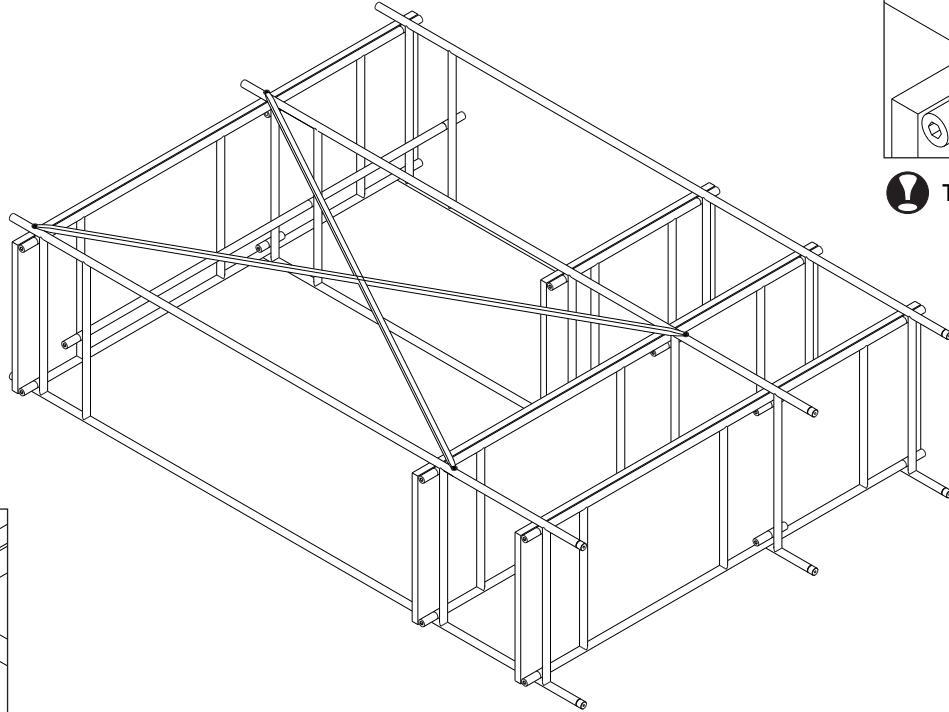
**- FLAT RUBBER (4X)
- USE WASHER M6 (4X)
- USE LOCK WASHER (4X)
- USE JCBC SCREW M6x20 (4X)
- DO NOT TIGHTEN SCREWS FULLY**

10101 TEAK OSCAR BROWN RACK - WITH CLOTHES HANGING BAR ASSEMBLY INSTRUCTIONS FOR RACK INSTALLATION

I ADJUST ALL BOLTS, NUTS & SCREWS TO TIGHTEN

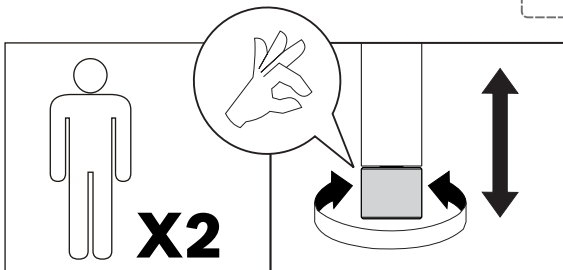
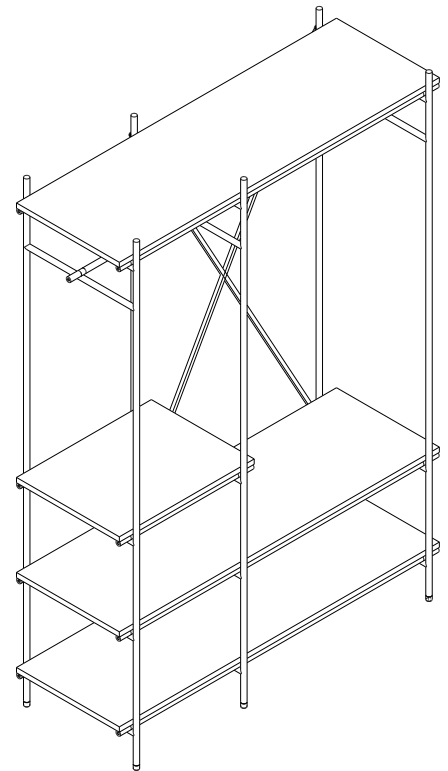
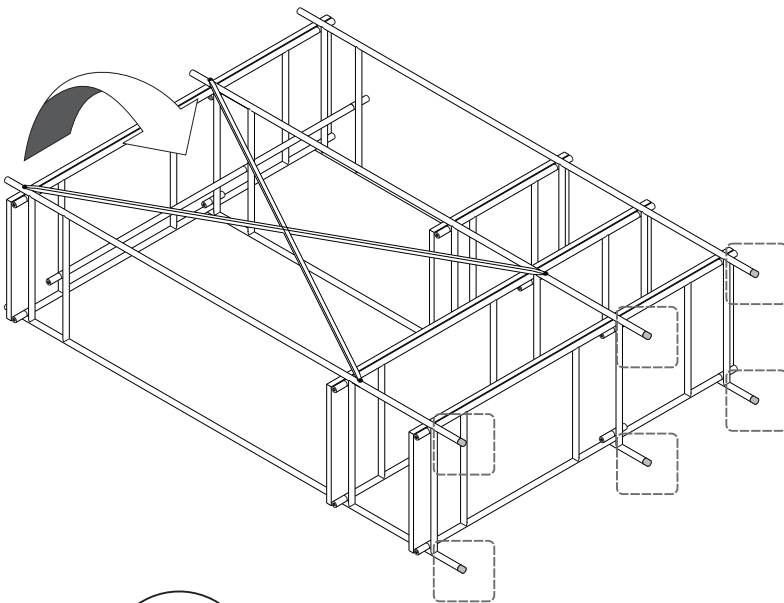


 **TIGHTEN FULLY**



 **TIGHTEN FULLY**

J STAND RACK & ADJUSTING LEVELERS



**IMPORTANT ACTION TO ENSURE A STEADY STANDING RACK:
ADJUST EACH LEVELER BY TURNING LEFT OR RIGHT
TO MAKE CONTACT WITH THE FLOOR**