



INDRA

Descriptions

Product code	CC0006M40
Product description	INDRA Table 120(200)x75 oak wax As one of the most important rooms in the house, our dining room will take centre stage with a beautiful table like this solid oak wood Vetter table. And it's extendable to cater for fun get-togethers and special occasions.
Origin country	CN

Dimensions

Height x Width x Depth (cm)	75 cm	x	120 - 200 cm	x	75 cm
Product weight (Kg)	38 Kg				
Top thickness (mm)	20				
Leaf sizes	40 X 75				

Technical drawings



Features

Use (domestic/contract/office)	Domestic
Indoor (yes/no)	Yes
Alfresco (yes/no)	No
Outdoor (yes/no)	No
Extendible (yes/no)	Yes
Adjustable height (yes/no)	No
Foldable (yes/no)	No
Seating capacity	6
Seating capacity fully extended	8
Max. load (kg)	80
Top edge type	Flat
Scratch and wear resistance (Mohs scale)	
Hardness (Rockwell method)	

Extension mechanism type	Removable
Number of leaves	2
Stored inside (yes/no)	No
Adjustable feet (yes/no)	No

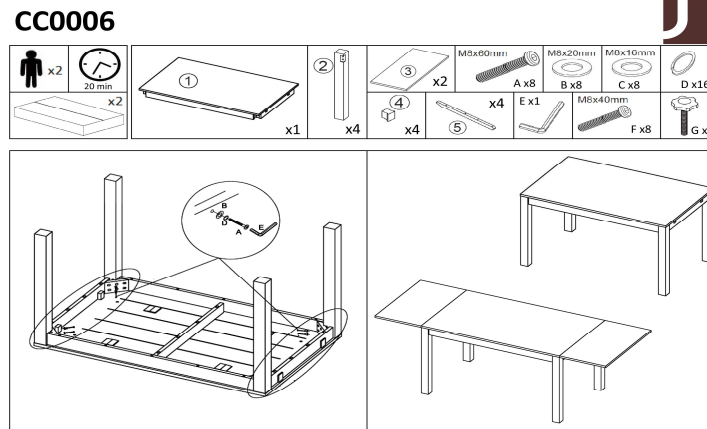
Materials

Main material	Solid wood
Top material	Oak wood (Quercus alba)
Top finishing	Waxed
Leaf material	Oak wood (Quercus alba)
Leaf finishing	Waxed
Legs material	Oak wood (Quercus alba)
Legs finishing	Waxed
Feet pad type	Rubber pad

Assembly

Unpacking time (min)	3
Assembly required (yes/no)	Yes
Difficulty of assembly	Easy
People required	2
Assembly time (min)	20
Assembly suggestions	Put the top upside down and screw the legs. Check and classify all fittings before starting the assembly. Assemble on a soft surface.

Assembly instructions



Care & Warranties

General warnings	This product has a porous finishing treatment and it will absorb any spill on it. When using it use a waterproof tablecloth or a coaster to protect from spills, scratches and damages. Changes on temperature and humidity may vary the shape.
Specific use and care instructions	Clean with a mild soapy solution and dry immediately. We strongly recommend varnishing/re-staining the furniture regularly once a year to prevent dryness, cracks and moisture absorption.
Specific use and care instructions for outdoor	N/A
Years of guarantee	2
Made according to	EN 12521:2010 for household use tables
FSC certified (yes/no)	No
PEFC certified (yes/no)	No
FLEGT license (yes/no)	N/A
Variation type	Natural wood grain and/or Colour tone, Light and environment conditions may
Purposeful distressing type	No distressing

Additional information	The extensions don't have any special bag. Wood origin country: China
------------------------	---

Packaging

Units per lot	
Cbm (m3) / Gross weight (Kg)	0,223 / 39,35
Nº of boxes	2

Box 1	C951M40 - 1
Description	INDRA Table 120x75 wood oak wax
Description box	FULL ITEM
Height x Width x Depth (cm)	16,5 x 131 x 82,5
Cbm (m3) / Gross weight (Kg) / Net weight (Kg)	0,178 / 28,1 / 24,4

Box 2	CC0005M40 - 2
Description	INDRA Extension table 40x75 wood oak fin.wax
Description box	FULL ITEM
Height x Width x Depth (cm)	9 x 82 x 60,5
Cbm (m3) / Gross weight (Kg) / Net weight (Kg)	0,045 / 11,25 / 9,6

Box 3	
Description	
Description box	
Height x Width x Depth (cm)	x x
Cbm (m3) / Gross weight (Kg) / Net weight (Kg)	/ /

Box 4	
Description	
Description box	
Height x Width x Depth (cm)	x x
Cbm (m3) / Gross weight (Kg) / Net weight (Kg)	/ /