

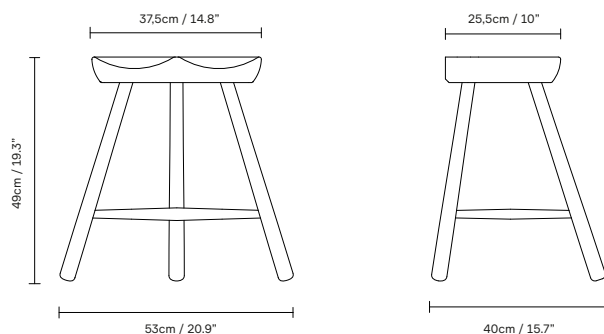
## Skoemaker Chair 49

---

Product Fact Sheet

# Skoemaker Chair 49

No. (8100) Shoemaker Chair, white oiled beech / No. (8105) Shoemaker Chair, black stained beech / No. (8205) / Shoemaker Chair, smoked oak / No. (8201) Shoemaker Chair, white oiled oak / No. (8200) Shoemaker Chair, oiled oak



## Dimensions:

W: 53 cm / 20.9", H: 49 cm / 19.3", D: 40 cm / 15.7", Seat H: 46cm / 18.1"

## Product description:

A true classic made in Denmark since 1936 – where it is still to this day produced by local craft's people. The seat has been rendered out of one large solid piece of wood which, because of the variations in the woodgrain, makes every Shoemaker Chair™ completely unique. Together, the turned legs and the stabilizing T connection create a harmonic and aesthetic piece of furniture with strong references to the history and experimentation of Nordic design. The construction may look simple but it utilizes a technique which is very difficult to master. The wood must be carefully handled and accurately carved to ensure the highest comfort. At the end of the process every model is finished by hand before going into a three-step process of staining or oiling surface treatments.

## Designer's thoughts:

"We have tirelessly optimized the chair since the early stages, adjusting minor aspects year after year – both in the production flow and in the finished product. Among other things, the T legs were added for extra stability and the seat was re-shaped and rounded so that if the chair falls the rounded profile would protect the topline from breaking." - Lars Werner, 2nd generation of the Werner Family

## Finish:



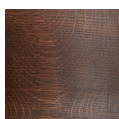
Natural oil treated



White oil treated



Black Stained  
RAL 9005  
Gloss 5



Smoked oak

## Made-to-order:

Non-standard configurations (special colors etc.) are available upon request at a minimum order quantity

**Product type:** Stool

**Environment:** Indoor

**Material:** Solid European beech  
Solid European oak

**Country of origin:** Made in Denmark

**Net weight:** 3,8 kg

**Designed by/year of design:** Werner

**Pre-assembled:** Yes

**Contract use:** Yes

**Certifications:** PEFC

**Scope of application:** Stool, hallway stool, dressing stool

**Warranty:** Form & Refine provides a five-year product warranty