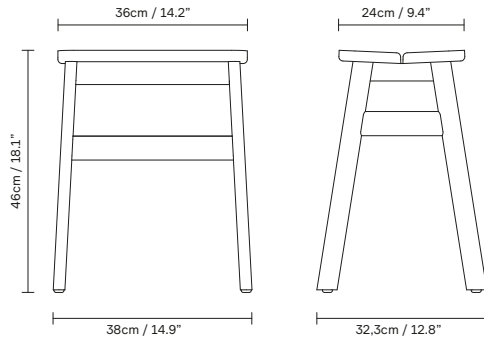


Angle Standard Stool 45

Product Fact Sheet

Angle Standard Stool 45

No. (5100) Angle Standard Stool, 45, Beech / No. (5101) Angle Standard Stool, 45, Black Stained Beech



Dimensions:

W: 38 cm / 14.9", H: 46 cm / 18.1", D: 32,3 cm / 12.8", Seat Depth: 24 cm / 9.4"

Product description:

A versatile stool that meets all needs and requirements for form, functionality, comfort and durability. The two sides of the seating base are angled 5 degrees towards each other. This unique design feature ensures surprising comfort for such a minimal footprint and makes this an ideal choice for seating.

The Angle standard stool is designed for both domestic and commercial spaces and intended as a sturdy seating option that can withstand a high impact due to its high-quality solid seat and sturdy legs.

The Angle Standard Stool collection brings together enduring material, craftsmanship and functionality.

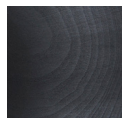
Designer's thoughts:

"With Angle Standard Stool we aimed for a light, comfortable stool that would stand up to everyday use. Angling the two components of the seat made the small stool surprisingly comfortable, even with prolonged use. The transverse bars give the construction added strength." – Herman Studio

Finish:



Beech Matt
lacquer



Beech Black
stained, RAL
Code 9005,
Gloss 5

Made-to-order:

Non-standard configurations (special colours etc.) are available upon request at a minimum order quantity

Product type: Stool

Environment: Indoor

Material: Solid European beech

Country of origin: Bosnia-Herzegovina

Net weight: 2,9 kg / 6.3 lb

Designed by/year of design: Herman Studio, 2018

Pre-assembled: Yes

Contract use: Yes

Scope of application: Stool, hallway stool, side table, bedside table

Warranty: Form & Refine provides a five-year product warranty