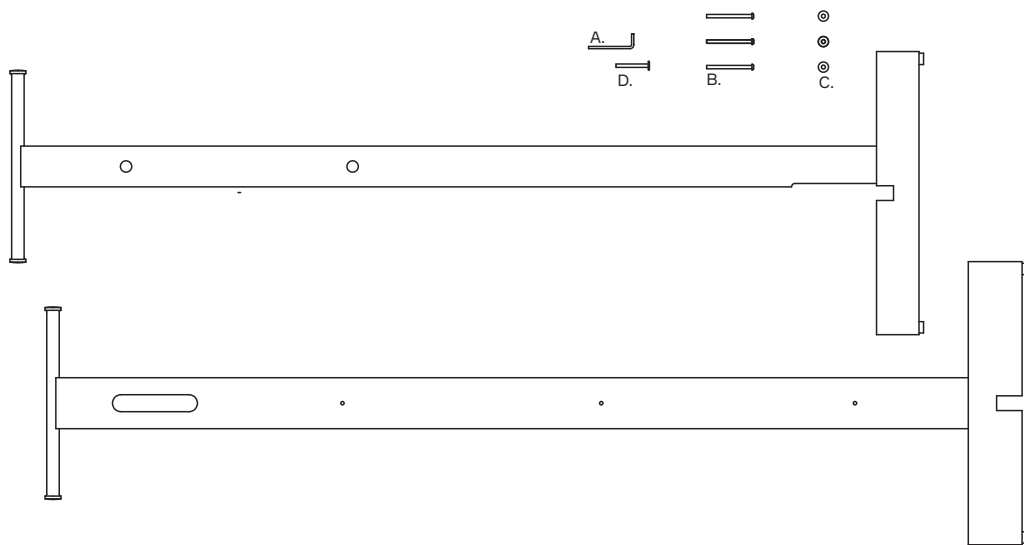


FOYER COAT STAND

Assembly guide

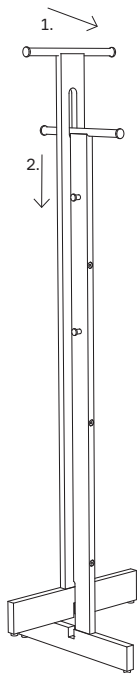


COMPONENTS

Place the components on a blanket to avoid scratches on the floor and on the Foyer Coat Stand.

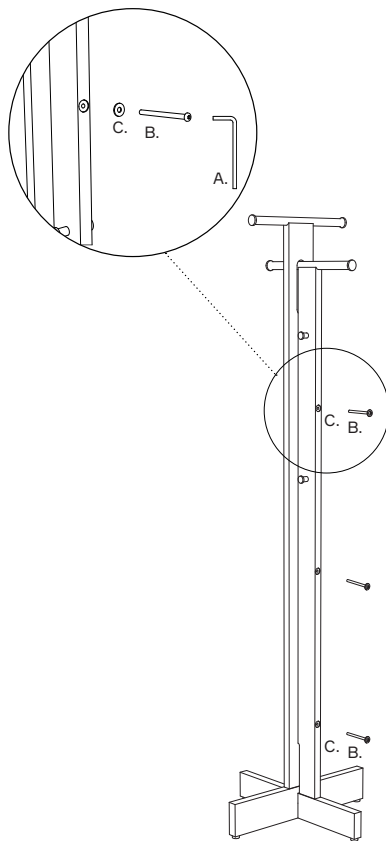
FOYER COAT STAND

Assembly guide



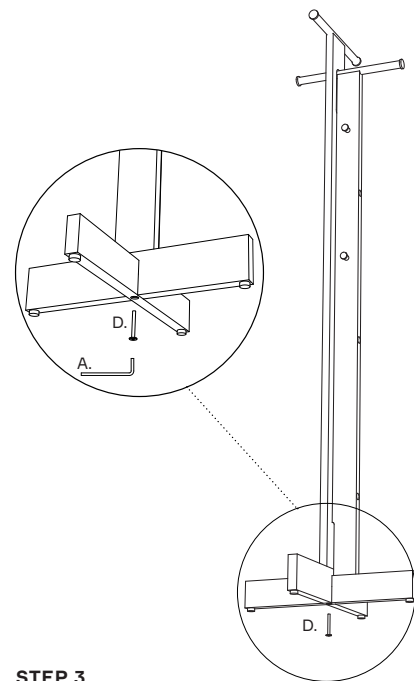
STEP 1

Assemble the two parts of the Foyer Coat Stand by pushing them together, as shown in the diagram.



STEP 2

Mount the tree supplied screws (B) together with the tree washers (C) using the Allen key (A).



STEP 3

Mount the last screw (D) to the bottom of the Foyer Coat Stand. You can now use adjustment gliders to make the Foyer Coat Stand stand straight.