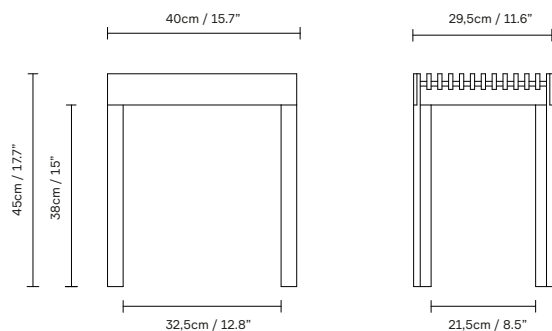


Lightweight Stool

Product Fact Sheet

Lightweight Stool

No. (1270) Lightweight stool, oak / No. (1271) Lightweight stool, white oak / No. (1272) Lightweight stool, black stained oak



Dimensions:

W: 40 cm / 15.7", H: 45 cm / 17.7", D: 29,5 cm / 11.6" Seat H: 45 cm / 17.7"

Product description:

A very versatile and ultra-lightweight stool to be used for extra seating, an elegant design object or side table. Even though it is very light in weight there is no compromise in quality, the stool is remarkably sturdy and strong. This piece boasts highly detailed woodwork and minimalistic wooden slat repetition.

Designer's thoughts:

"With the Lightweight Stool, we wanted to pay tribute to classic carpentry traditions by constructing the furniture with beautiful and classic-style wooden joints. We wanted to make a light impact furniture in both a visual and physical sense which reflects the quality grounded in our contemporary design language. The design is graphically tight but at the same time soft and tactile when used." - Herman Studio

Finish:



Natural oil treated



White oil treated



Black stained, RAL Code 9005, Gloss 10

Made-to-order:

Non-standard configurations (special colours etc.) are available upon request at a minimum order quantity.

Product type: Stool

Environment: Indoor

Material: Solid European oak

Country of origin: Portugal

Net weight: 2,5 kg / 5.5 lb

Designed by/year of design: Herman Studio, 2021

Note: Constructed using only wooden joints i.e., no screws used

Pre-assembled: Yes

Contract use: Yes

Scope of application: Stool, side table, bedside table, coffee table

Warranty: Form & Refine provides a five-year product warranty