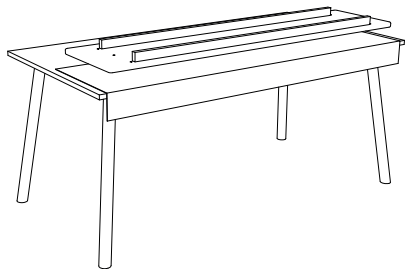


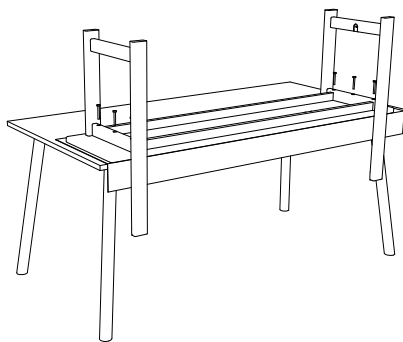
POSITION BENCH 155

Assembly guide



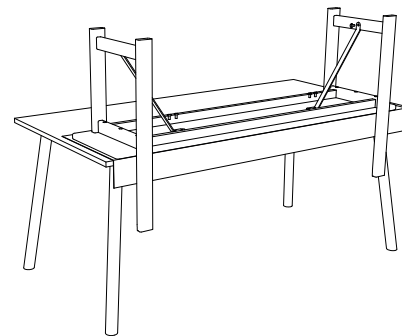
STEP 1

Place the seat bottom up on any larger table. To protect the surface from scratches lay a piece of textile or cardboard under the seat.



STEP 2

Place the leg frames above the bushings. Using the included hex key, mount the screws in the seat. Tighten the screws properly, though without fully tightening them.

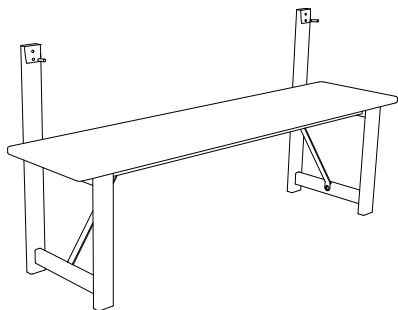


STEP 3

Place the two brass parts on the seat and mount the short brass screws. Tighten the screws with a flat-head screwdriver. Important note: Brass is softer than iron, therefore be careful not to scratch the screw.

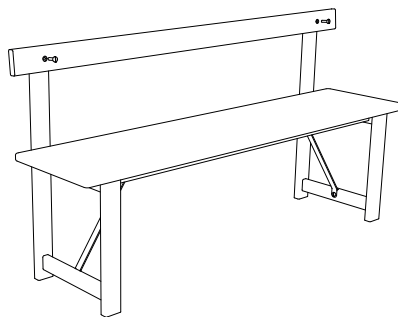
POSITION BENCH 155

Assembly guide



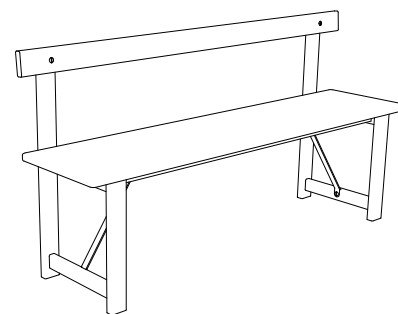
STEP 4

Place the two dowels in the legs.



STEP 5

Place the backrest in the two dowels. Mount the two long brass screws in the backrest. Important note: Brass is softer than iron, therefore be careful not to scratch the screw.



STEP 6

Good work, you are now done. The screws might have to be tightened after a while when the bench has been in use. Therefore, keep the tools for later use.