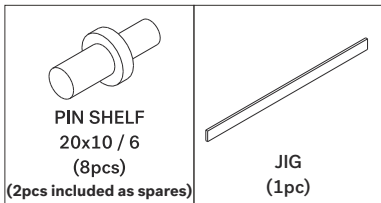


29793 POLISHED IMPERFECT WALL RACK - 1 SHELF ASSEMBLY INSTRUCTIONS FOR WALL RACK INSTALLATION

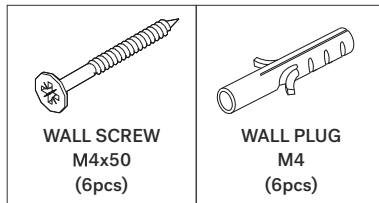


HARDWARE ENCLOSED



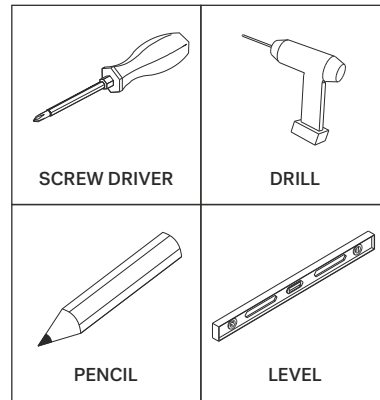
HARDWARE REQUIRED

(Not included in package)

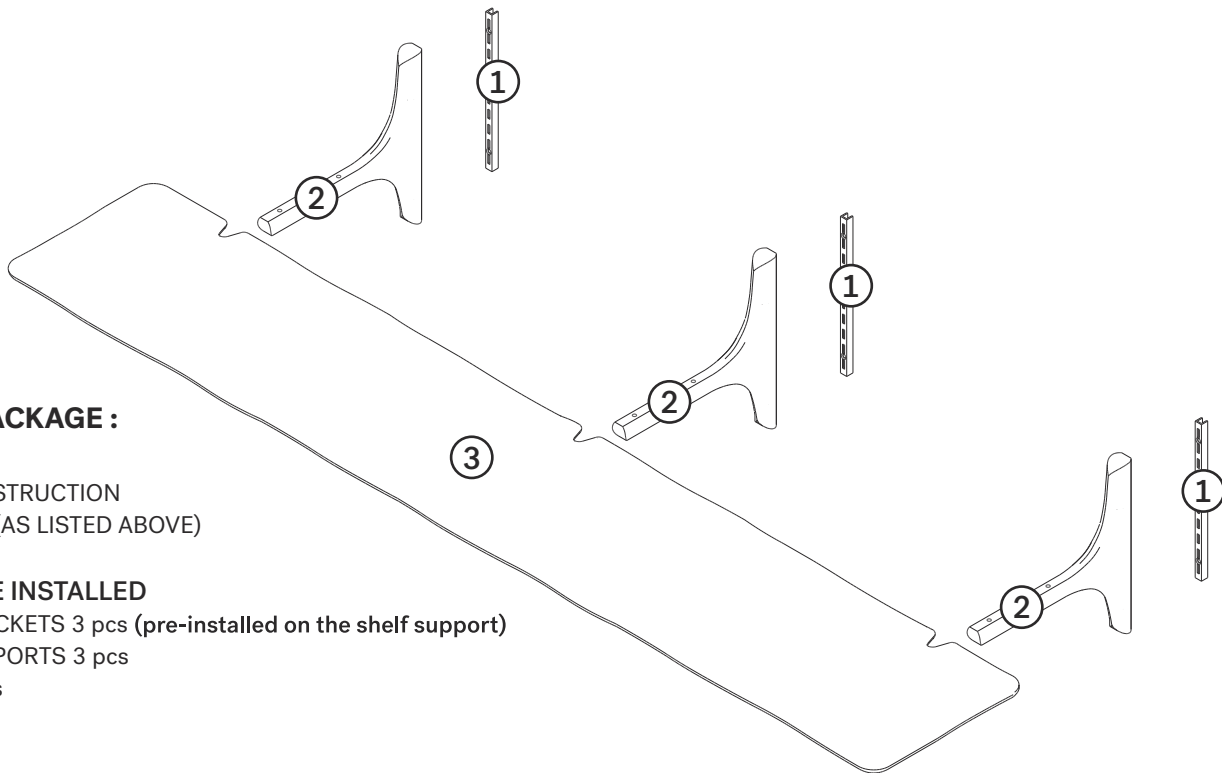


TOOLS REQUIRED

(Not included in package)



AS WALL MATERIALS VARY, SCREWS FOR FIXING TO WALL ARE NOT INCLUDED. FOR ADVICE ON SUITABLE SCREW SYSTEMS, CONTACT YOUR LOCAL SPECIALISED DEALER.



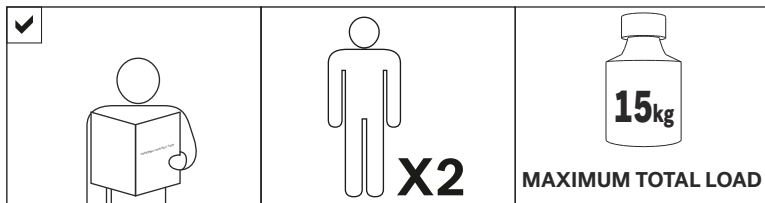
IN YOUR PACKAGE :

ASSEMBLY INSTRUCTION
HARDWARES (AS LISTED ABOVE)

PARTS TO BE INSTALLED

1. METAL BRACKETS 3 pcs (pre-installed on the shelf support)
2. SHELF SUPPORTS 3 pcs
3. SHELF 1 pcs

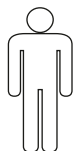
NOTICE



SYMBOLS



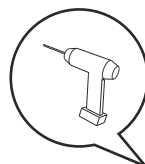
DIRECTION



NUMBER OF PERSONS NEEDED



USE HAND



USE DRILL



USE SCREWDRIVER TO TIGHTEN

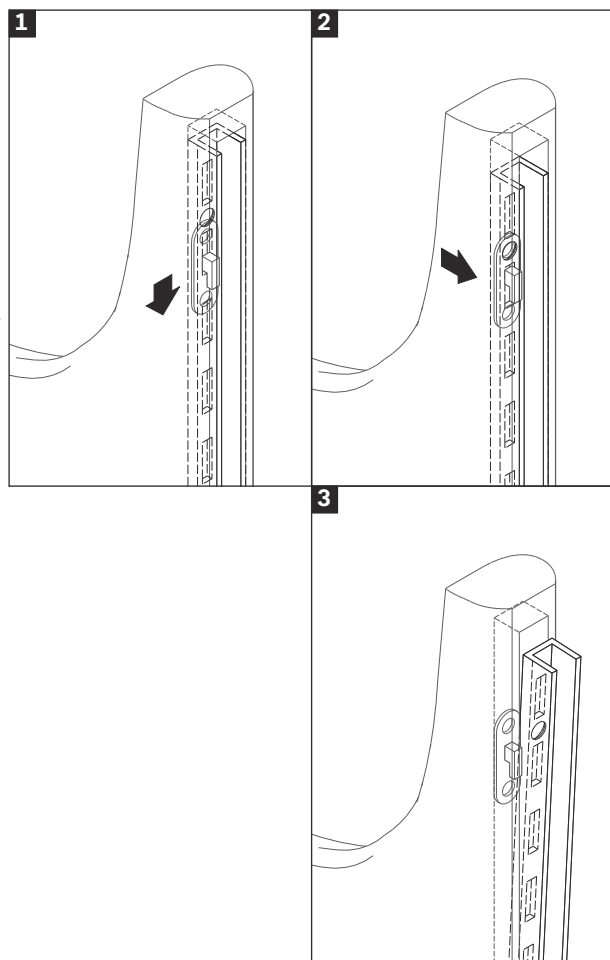
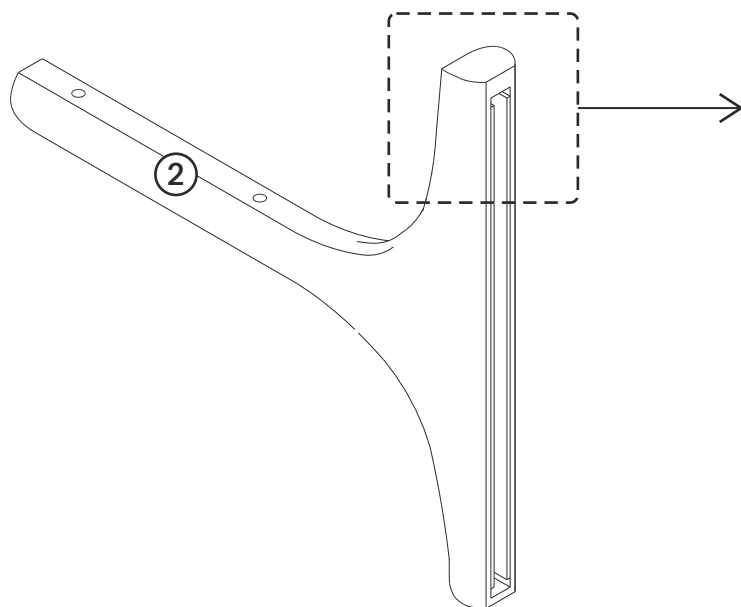


USE PENCIL

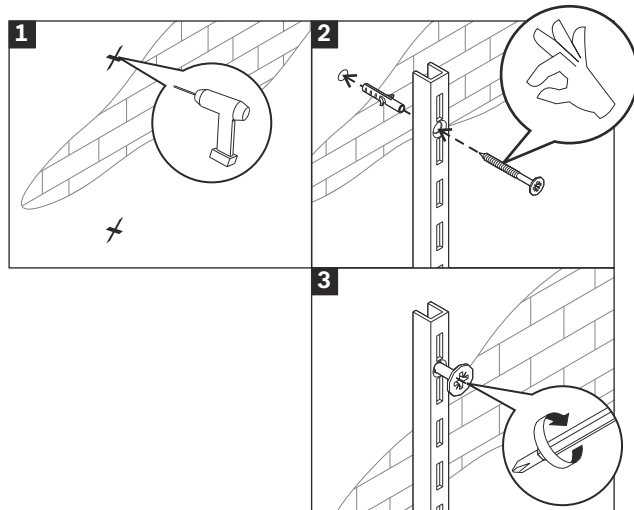
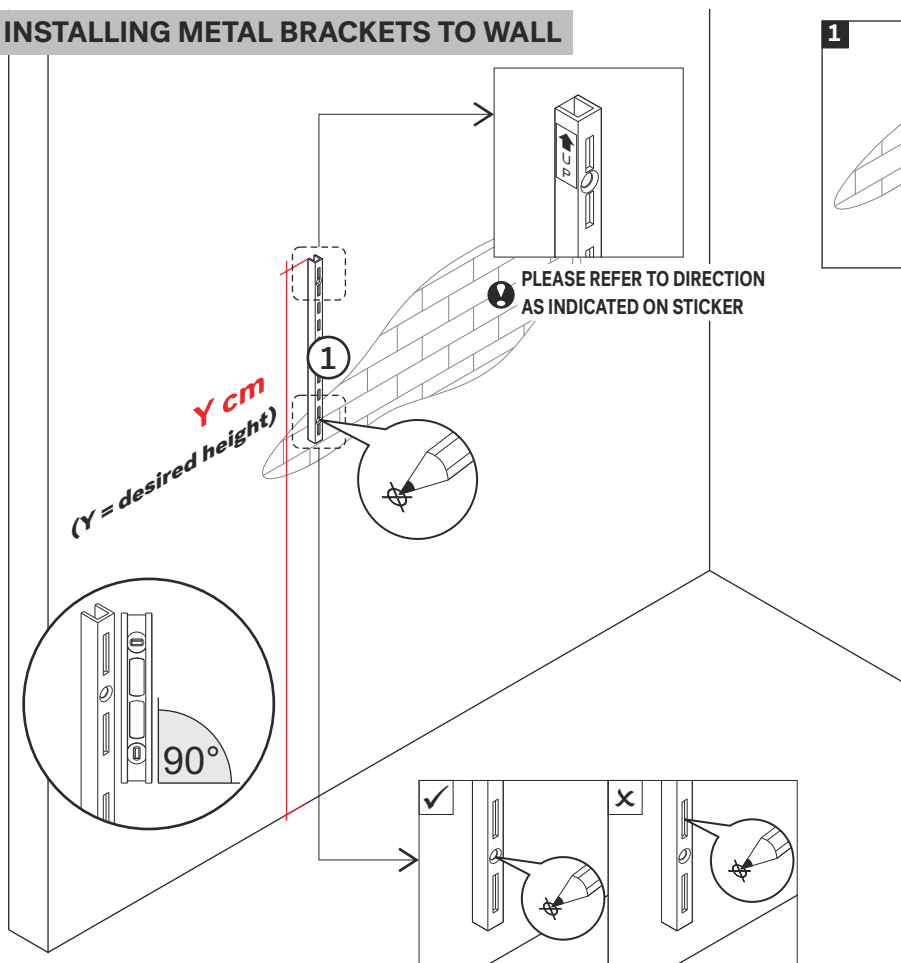
29793 POLISHED IMPERFECT WALL RACK - 1 SHELF ASSEMBLY INSTRUCTIONS FOR WALL RACK INSTALLATION



A RELEASING METAL BRACKETS



B INSTALLING METAL BRACKETS TO WALL

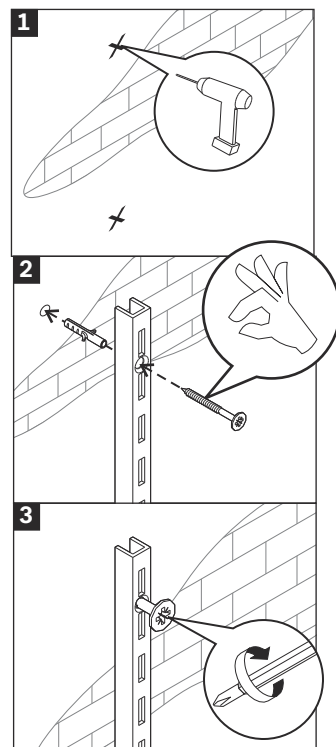
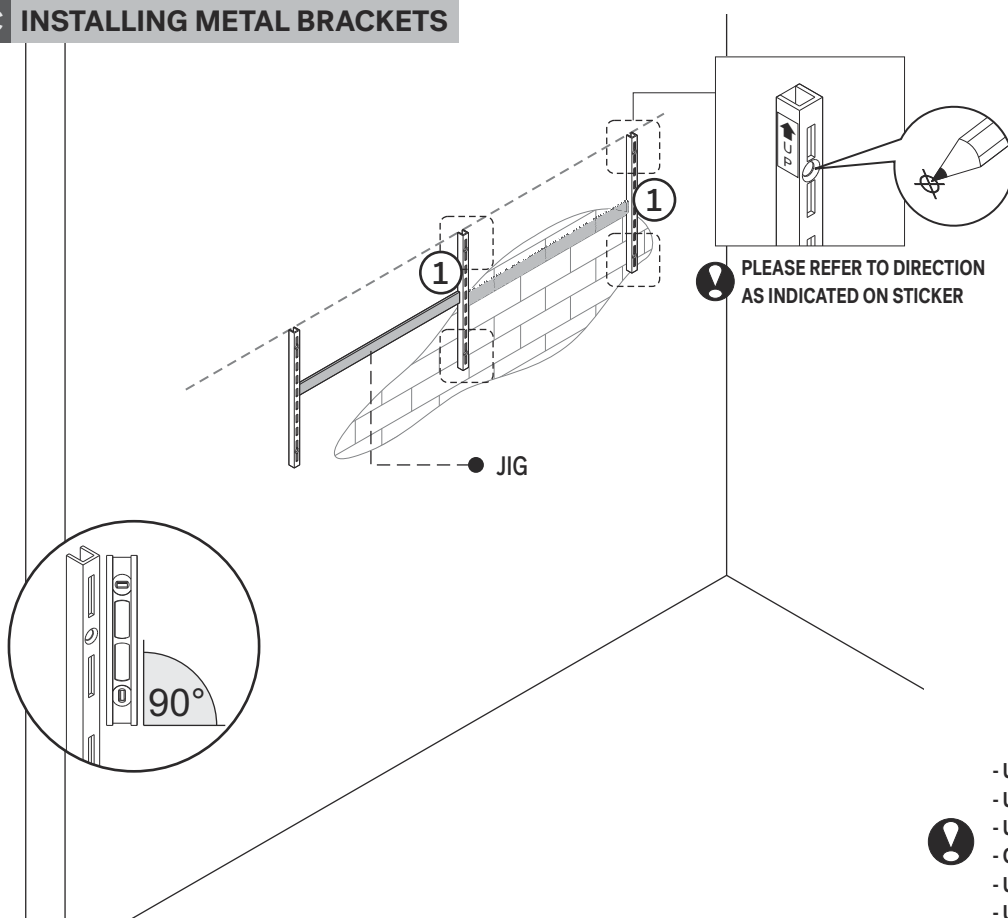


- ILLUSTRATION DEMONSTRATES BRICK WALL
- USING A PENCIL, LIGHTLY MARK WALL IN RELATION TO ROUND HOLES ON BRACKET
- USE LEVEL FOR ALIGNMENT
- USE WALL PLUG (x2)
- USE SCREWS M4x50 (x2)
- TIGHTEN FULLY

29793 POLISHED IMPERFECT WALL RACK - 1 SHELF ASSEMBLY INSTRUCTIONS FOR WALL RACK INSTALLATION

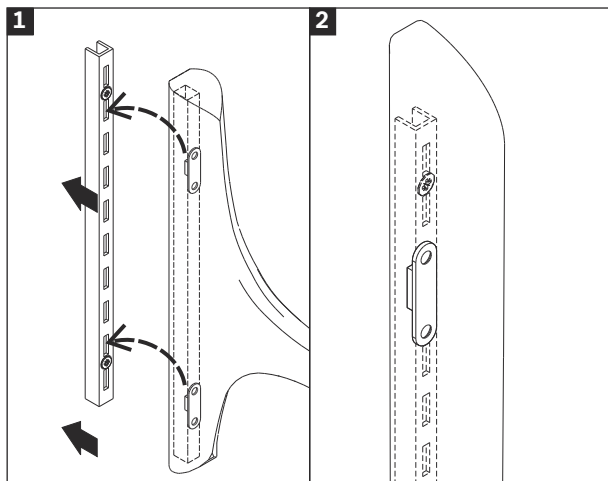
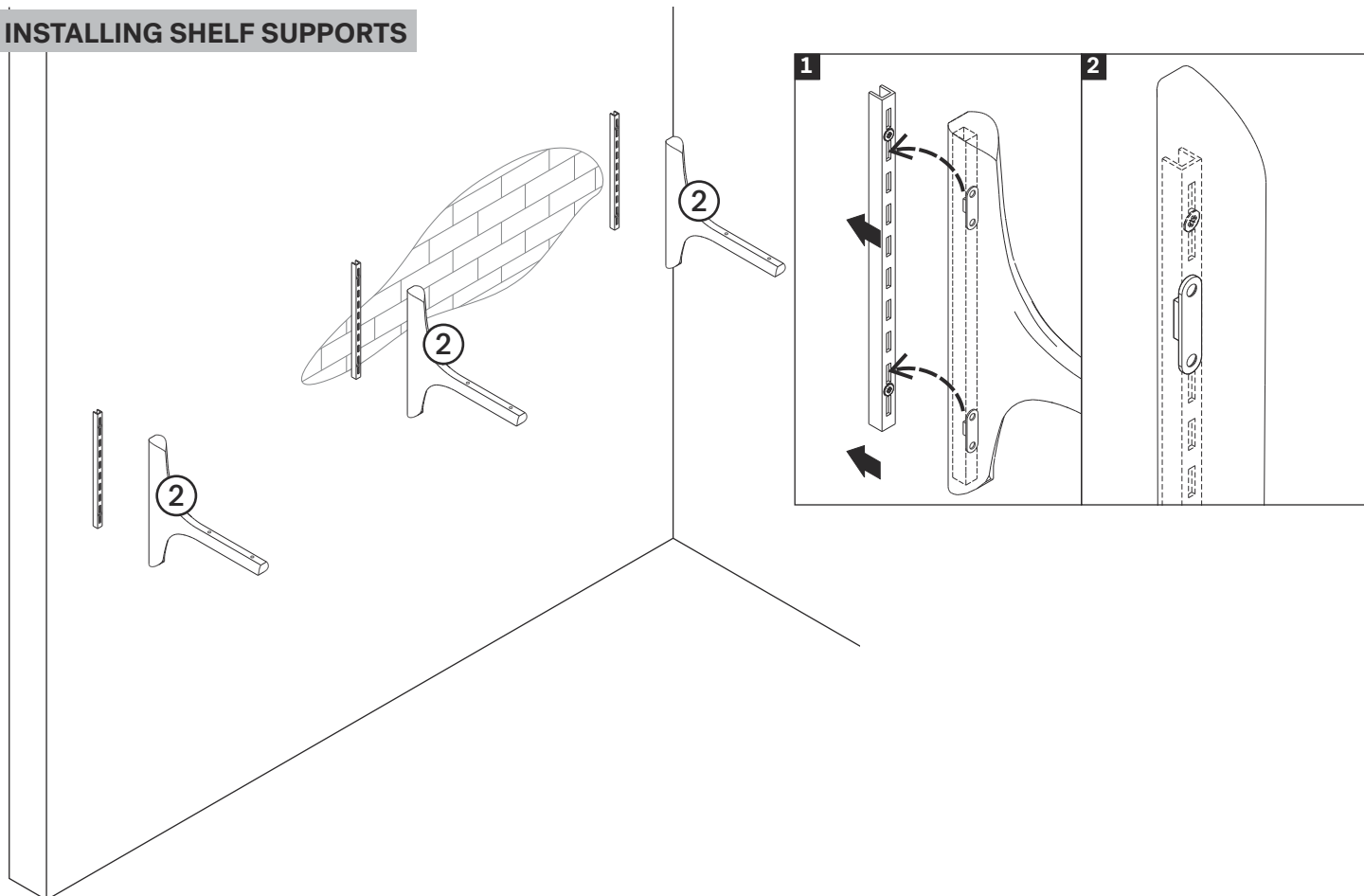


C INSTALLING METAL BRACKETS



- USE JIG TO GUIDE POSITIONING
- USE GUIDE LINES TO ENSURE VERTICAL POSITIONING
- USE LEVEL FOR ALIGNMENT
- CAREFULLY ENSURE EVEN HEIGHT OF ALL BRACKETS
- USE WALL PLUGS (x4)
- USE SCREWS M4x50 (x4)
- TIGHTEN FULLY

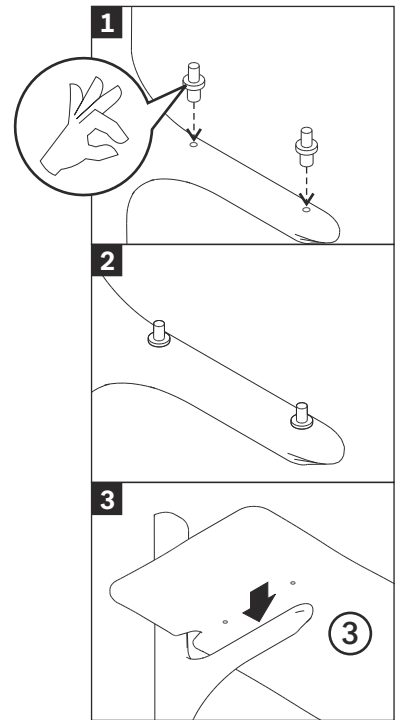
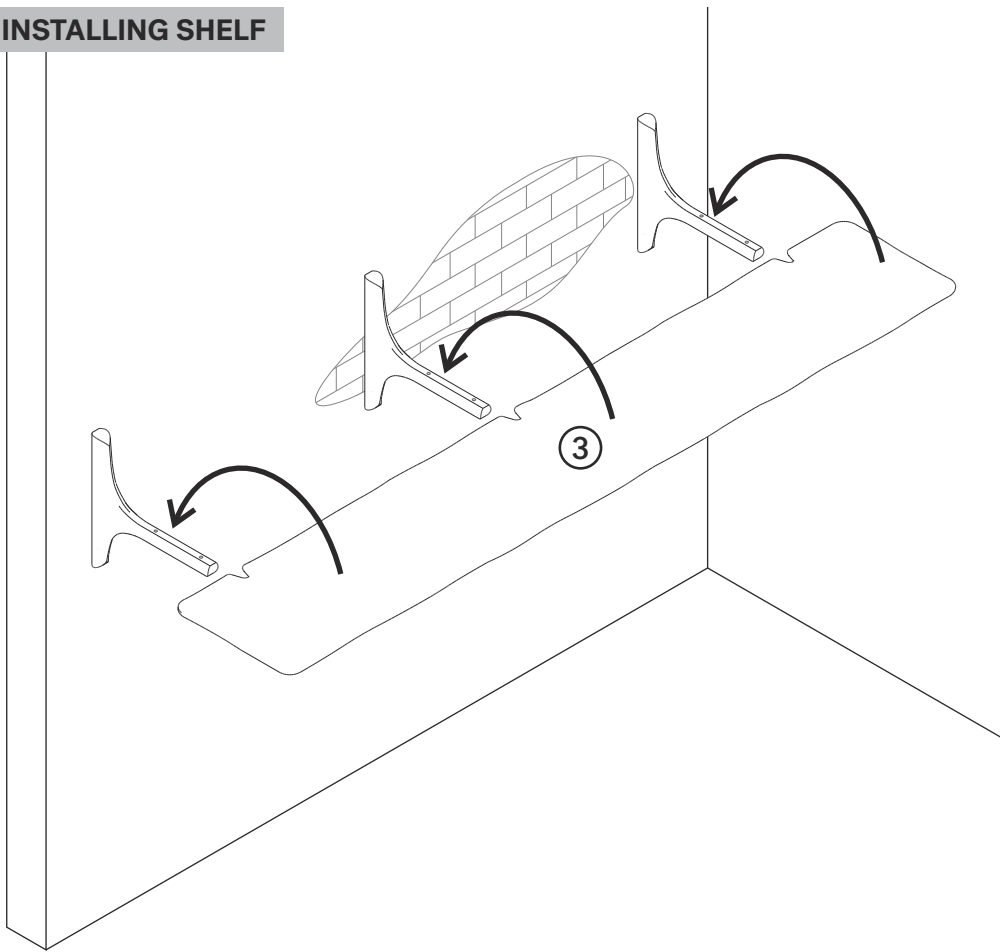
D INSTALLING SHELF SUPPORTS



29793 POLISHED IMPERFECT WALL RACK - 1 SHELF ASSEMBLY INSTRUCTIONS FOR WALL RACK INSTALLATION



E INSTALLING SHELF



 - USE PIN SHELF (x6)

F FINISH

