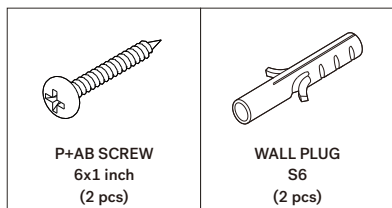


Ethnicraft

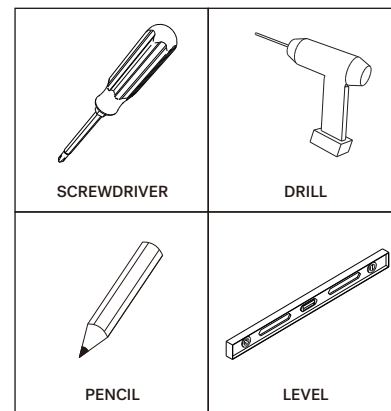
29782 PI WALL COAT RACK - VARNISHED MAHOGANY - DARK BROWN
 ASSEMBLY INSTRUCTIONS FOR WALL RACK INSTALLATION

HARDWARE ENCLOSED

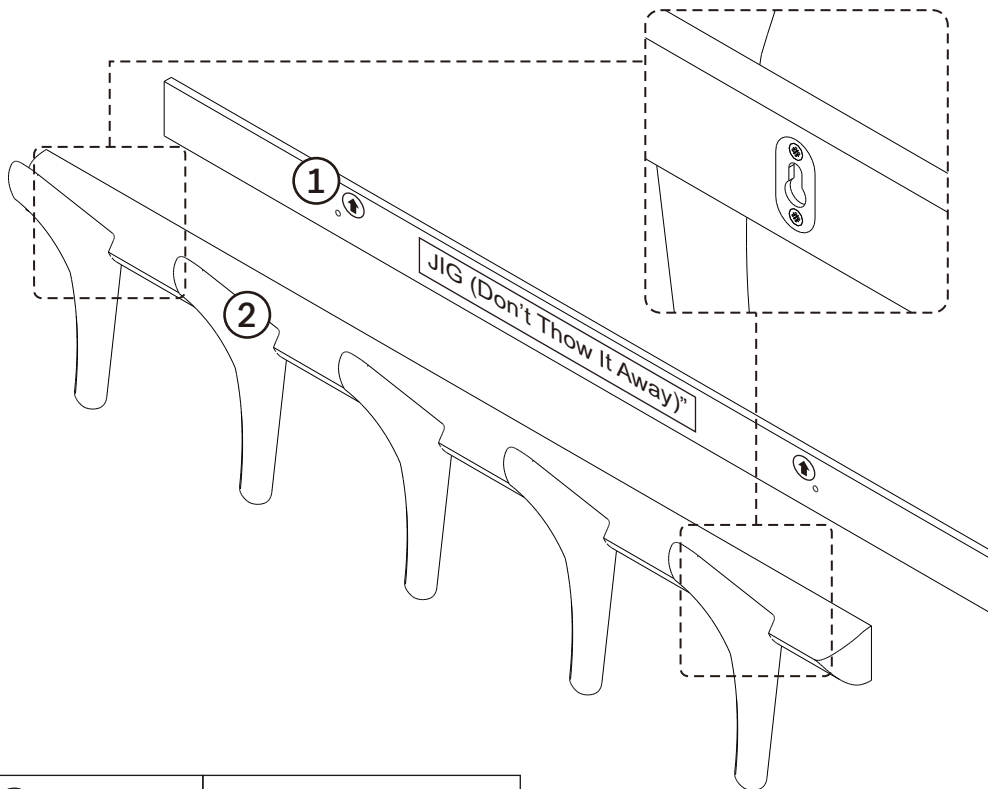
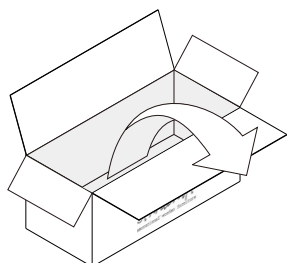


TOOLS

(Not included in Packaged)



! WALL MATERIALS VARY.
 FOR ADVICE ON SUITABLE SCREW SYSTEMS,
 CONTACT YOUR LOCAL SPECIALISED DEALER.



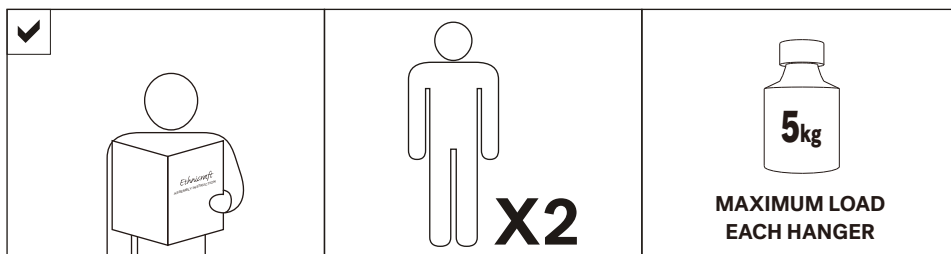
IN YOUR PACKAGE :

ASSEMBLY INSTRUCTIONS
 HARDWARE (AS LISTED ABOVE)

PARTS TO BE INSTALLED

1. WOODEN JIG 1pc
2. COAT RACK 1pc

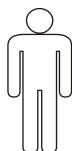
NOTICE



SYMBOLS



DIRECTION



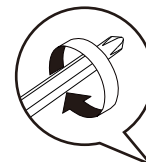
NUMBER OF
 PERSONS NEEDED



USE HAND



USE DRILL



USE SCREWDRIVER
 TO TIGHTEN

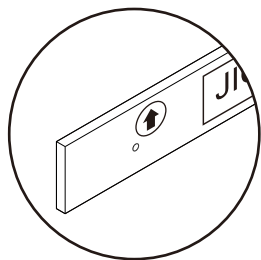


USE PENCIL

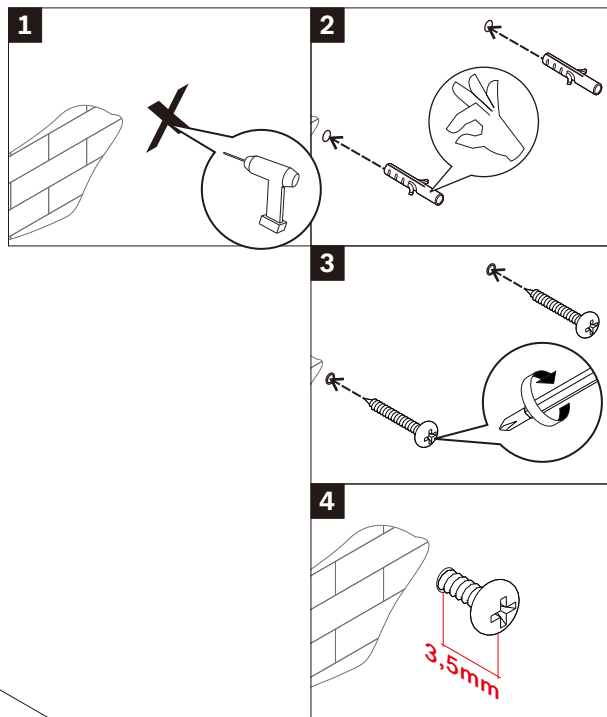
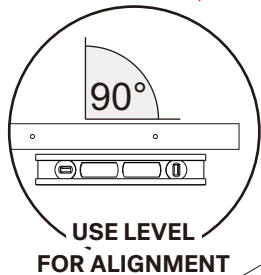
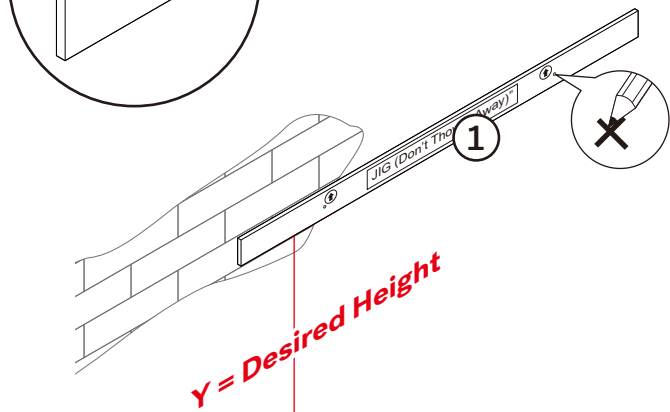
Ethnicraft

29782 PI WALL COAT RACK - VARNISHED MAHOGANY - DARK BROWN ASSEMBLY INSTRUCTIONS FOR WALL RACK INSTALLATION

1. INSTALLING SCREW ON THE WALL

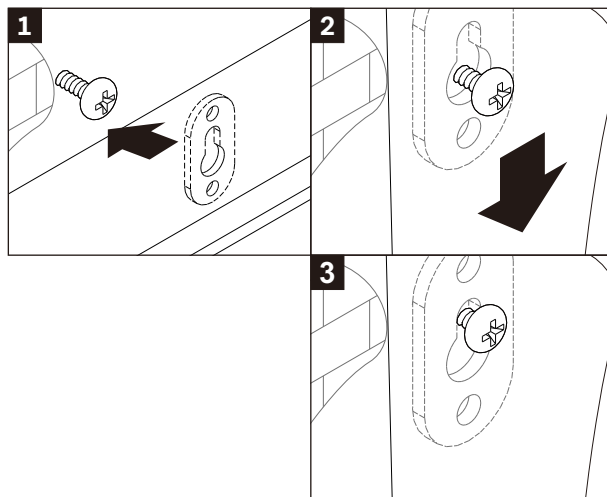
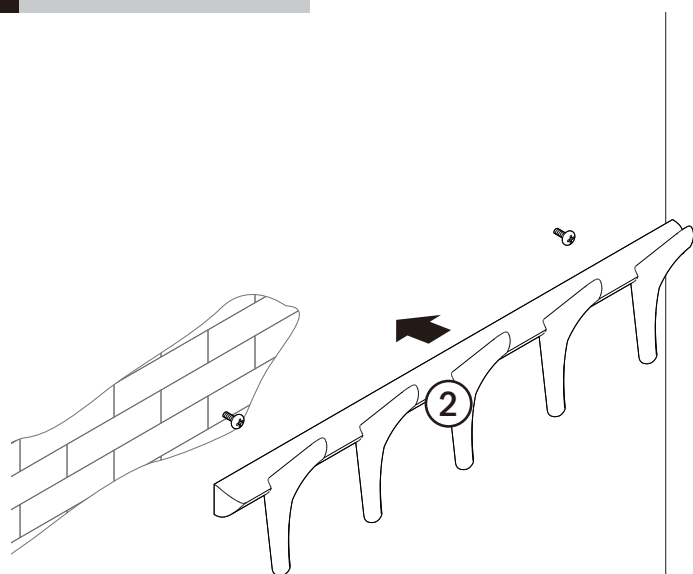


! PLEASE REFER TO STICKER DIRECTION



- USE WALL PLUG S6 (2X)
- USE P+AB SCREW 6x1 inch (2X)
- LEAVE THE SCREW LENGTH $\pm 3,5\text{mm}$ FROM THE WALL

2. ATTACHING COAT RACK



- AFTER ASSEMBLY, THERE SHOULD BE NO GAP BETWEEN WALL & HANGER
- IF A GAP IS FOUND, RE-TIGHTEN THE SCREW TO MINIMIZE THE GAP