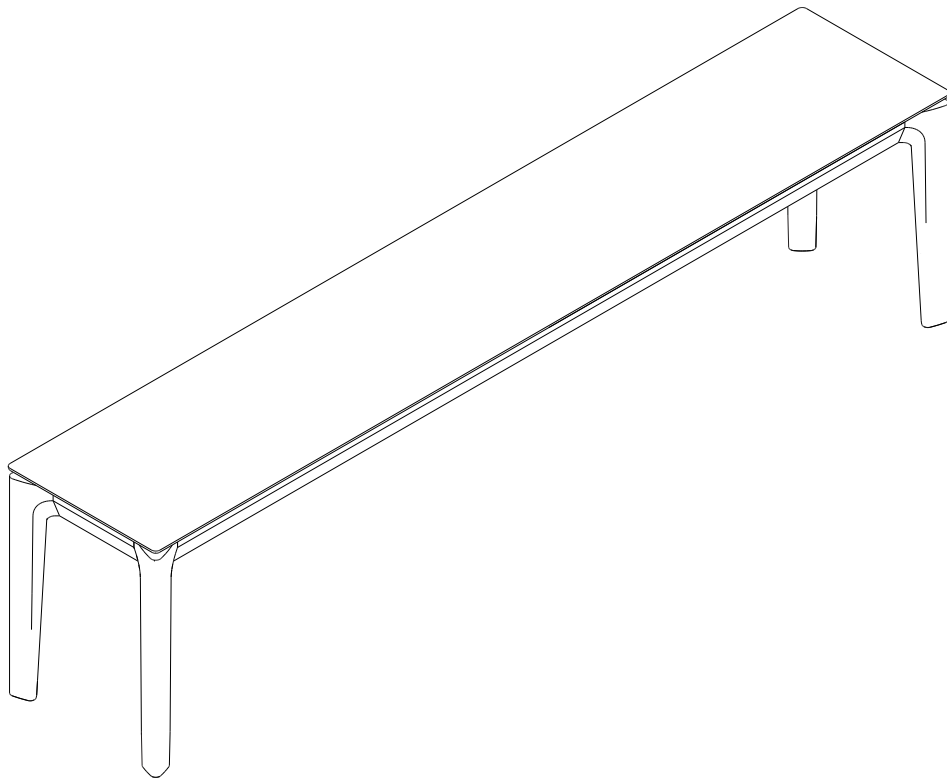


Ethnicraft

ASSEMBLY INSTRUCTIONS FOR BENCH INSTALLATION

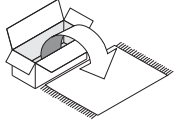
TEAK BOK BENCH

CODE	DESCRIPTION
NATURAL FINISHING	
10146	TEAK BOK BENCH 126/35/46
10147	TEAK BOK BENCH 146/35/46
10148	TEAK BOK BENCH 166/35/46
10149	TEAK BOK BENCH 186/35/46
BROWN FINISHING	
10676	TEAK BOK BENCH - VARNISHED TEAK - BROWN 126/35/46
10677	TEAK BOK BENCH - VARNISHED TEAK - BROWN 146/35/46
10678	TEAK BOK BENCH - VARNISHED TEAK - BROWN 166/35/46
10679	TEAK BOK BENCH - VARNISHED TEAK - BROWN 186/35/46



TEAK BOK BENCH ASSEMBLY INSTRUCTIONS FOR BENCH INSTALLATION

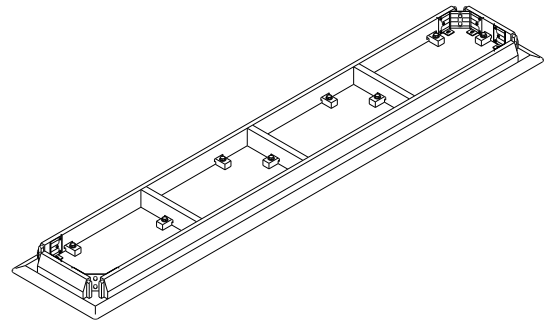
NOTE



- CAREFULLY OPEN THE CARTON
- REMOVE CONTENTS TO LAY OUT ON THE FLATTENED CARTON, CARPETED AREA, OR ANOTHER PROTECTIVE SURFACE TO AVOID DAMAGE WHILE ASSEMBLING
- CHECK PACKAGE CONTENTS TO ASSURE ALL THE NECESSARY HARDWARE AND PARTS ARE RECEIVED UNDAMAGED
- DO NOT USE DAMAGED OR DEFECTIVE PARTS/HARDWARE
- CONTACT RETAILER FOR ANY MISSING PART AND/OR HARDWARE
- READ THE ASSEMBLY INSTRUCTIONS BEFORE INSTALLATION AND CAREFULLY FOLLOW THE INSTRUCTIONS GIVEN
- SEEK THE ADVICE OF A PROFESSIONAL IF YOU ARE NOT FAMILIAR WITH THESE INSTALLATIONS OR HAVE ANY DOUBTS ABOUT THE SAFETY OF THIS INSTALLATION
- IT IS ADVISABLE TO DO THIS ASSEMBLY WITH A MINIMUM OF 2 PERSONS



PARTS TO ASSEMBLE



A TABLE TOP 1piece

CODE	DESCRIPTION
NATURAL FINISHING	
P1048	TOP 126x35
P1049	TOP 146x35
P1050	TOP 166x35
P1051	TOP 186x35
BROWN FINISHING	
P1142	TOP - BROWN 126x35
P1143	TOP - BROWN 146x35
P1144	TOP - BROWN 166x35
P1145	TOP - BROWN 186x35

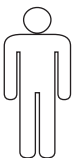
B LEGS (INTERCHANGEABLE) 4pieces

CODE	DESCRIPTION
NATURAL FINISHING	
P1052	LEG
BROWN FINISHING	
P1146	LEG - BROWN

SYMBOLS

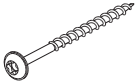




DIRECTION



NUMBER OF PERSONS NEEDED

HARDWARE ENCLOSED

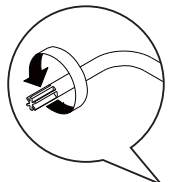
 H2035 SPAX SCREW M6x100 (8pcs)	 H2103 WASHER M8 (8pcs)	 H2036 SPRING WASHER M6 (8pcs)
--	---	--

TOOL

 H2029 TORX ALLEN SCREW (1pc)
--



USE HAND

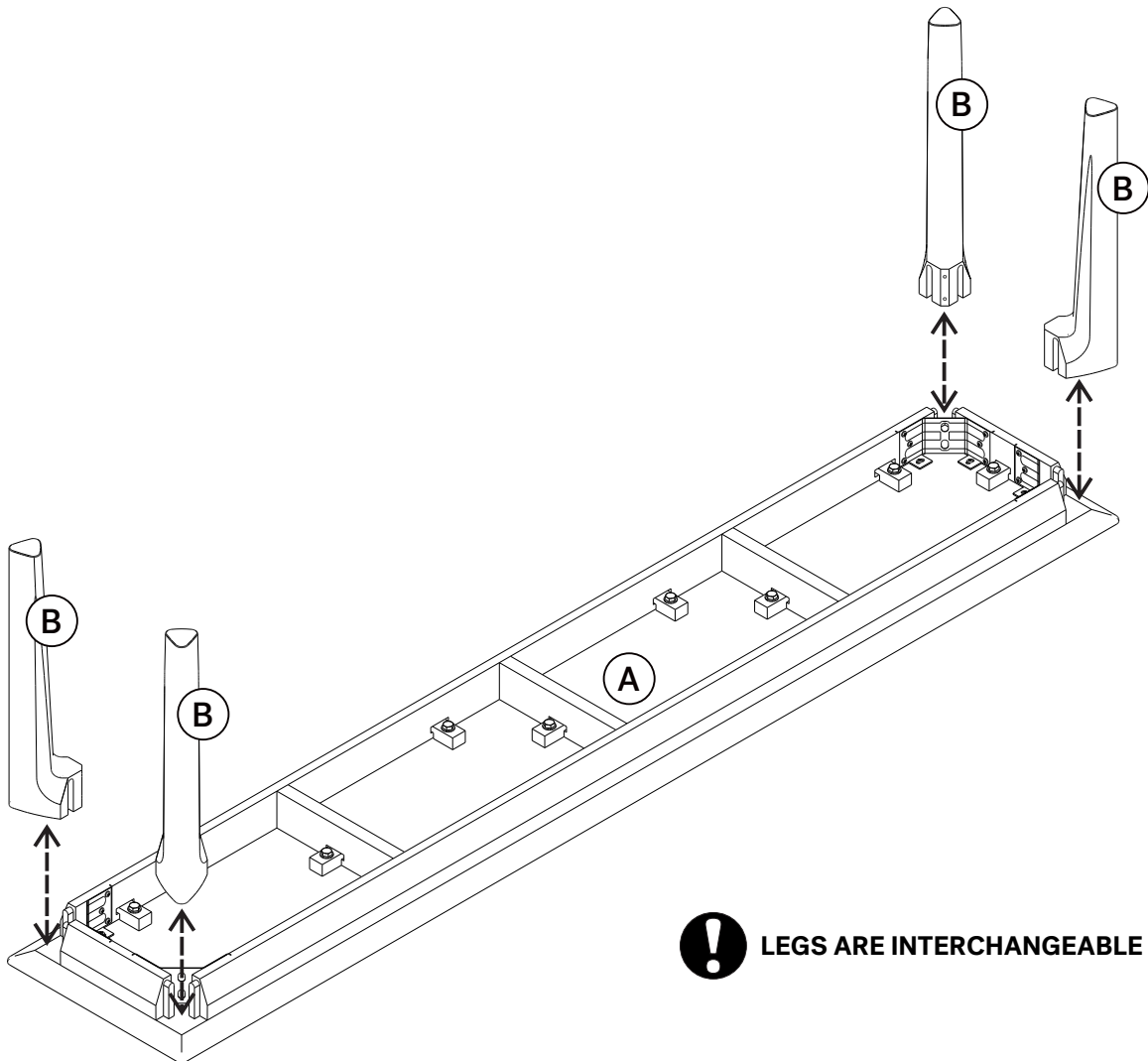


USE TORX ALLEN SCREW TO TIGHTEN

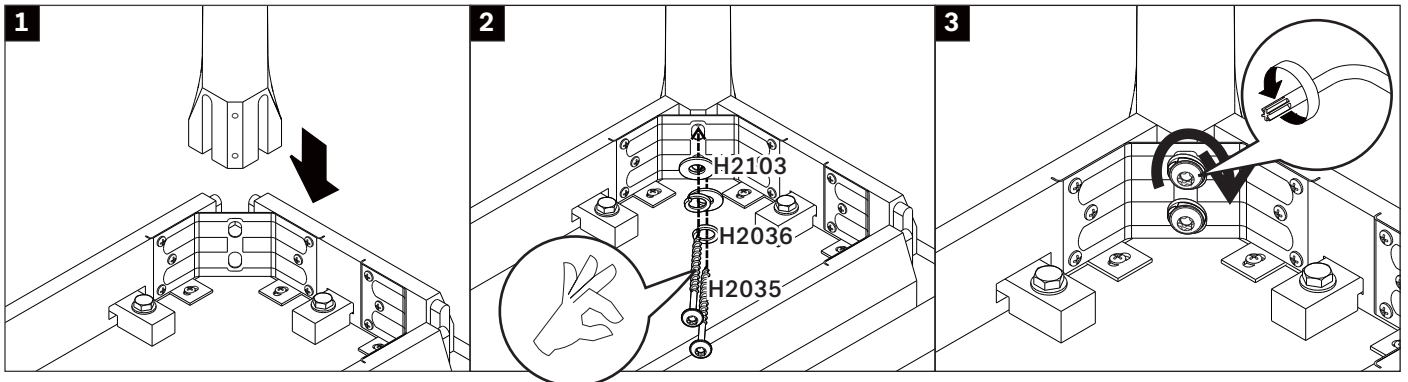
TEAK BOK BENCH

ASSEMBLY INSTRUCTIONS FOR BENCH INSTALLATION

CONNECTING THE LEGS AND TABLE TOP



! LEGS ARE INTERCHANGEABLE



- !** - REPEAT ON ALL LEGS
- !** - NOT TOO TIGHT (TO BE RE-TIGHTENED AFTER 15 DAYS)