



## SIG-419-403 PIERRE COCKTAIL TABLE

### CARACOLE SIGNATURE

#### ASSEMBLY INSTRUCTIONS

**PLEASE UNPACK ALL PARTS AND CHECK QUANTITY AGAINST PARTS LIST BEFORE DISCARDING PACKING CARTON!**

Assembling Steps:

**Step 1:** Unpack the carton and put the polymethyl methacrylate frame upright on a flat floor.

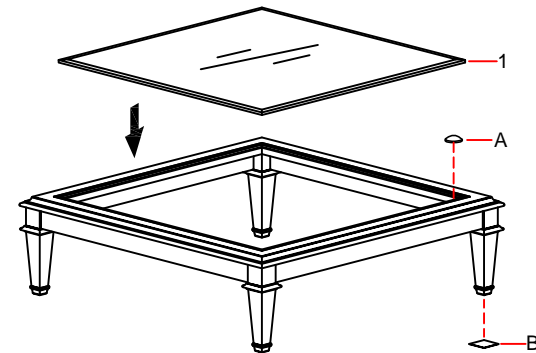
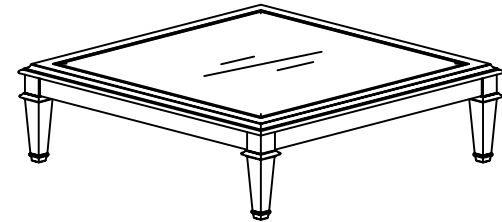
**Step 2:** Glue the self-adhesive clear plastic floor glides to the bottom of the legs.

**Step 3:** Put the clear plastic bumpers on the top frame.

**Step 4:** Put the glass top onto the polymethyl methacrylate top frame.

\*\*\* NOTE KEEP THIS SHEET \*\*\*

In the unlikely event that you would need a replacement part for your furniture, please contact your local authorized Schnadig International dealer. If you need replacement hardware quickly, it could be purchased from your local hardware store.



SIG-419-403				
PIERRE COCKTAIL TABLE				
Part List				
Hardware List		Part Number	QTY	
1		Glass Top	SIG-419-403-029	1

RTA Hardware			
Hardware List			QTY
A		Clear Bumper	8
B		Clear Plastic Floor Glide	4