



# THE BOUTIQUE BED-KING

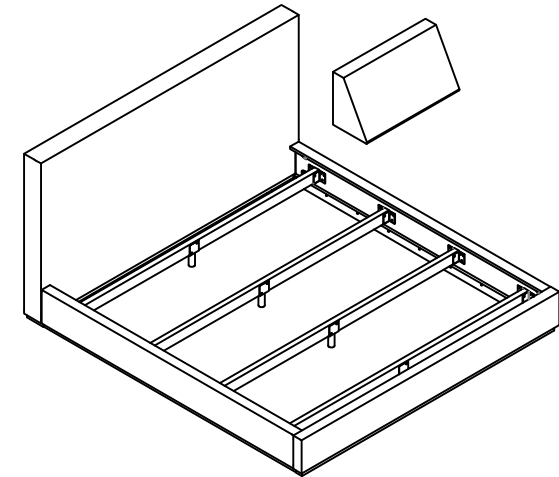
## SIG-419-125

### ASSEMBLY INSTRUCTIONS

TWO (2) PEOPLE AND PHILIP'S SCREWDRIVER REQUIRED

PLEASE UNPACK ALL PARTS AND CHECK AGAINST PARTS LIST ON THIS INSTRUCTION SHEET BEFORE DISCARDING PACKING AND CARTONING!!

- 1) Connect the side rail and headboard/footboard .
- 2) Assemble the side rail and headboard/footboard using the curved washer (A), flat washer (B), lock washer (C), and nut (D) tighten with wrench provided (E), as shown in Diagram A.
- 3) Assemble the middle support leg on the slat using screw (G) , as shown in Diagram B.
- 4) Mount the assembled support slats (done in step 3) onto the supporting metal (F), using screw (G), as shown in Diagram C.



\*\*\* NOTE KEEP THIS SHEET \*\*\*

In the unlikely event that you would need a replacement part for your furniture, please contact your local authorized Schnadig International dealer. If you need replacement hardware quickly, it could be purchased from your local hardware store.

THE BOUTIQUE BED-KING SIG-419-125		
Part Description	Part No.	QTY
Headboard(1)	SIG-419-125H	1
Footboard(2)	SIG-419-125F	1
Side rail(3)	SIG-419-105R	2
Bed pillows(4)	SIG-419-125P	2
Slat(5)	SIG-419-125F-3067	4
Support leg(6)	SIG-419-125F-30305	4
RTA Hardware(7)	SIG-419-105R-3001	1
RTA Hardware(8)	SIG-419-125F-3001	1
Pillow	SIG-419-125F-30260	2

RTA Hardware(7) and Parts List			
NO.	Hardware List		Q'ty
A		Curved Washer	8
B		Flat Washer	8
C		Lock Washer	8
D		Nut	8
E		Wrench	1
F		Bolt	8

G		Supporting Metal	8
---	--	------------------	---

RTA Hardware(8)			
NO.	Hardware List		Q'ty
H		Screw(3.5x18)	32

