

CLA-020-401 TURN STYLE
CARACOLE SIGNATURE




ASSEMBLY INSTRUCTIONS

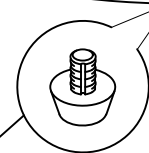
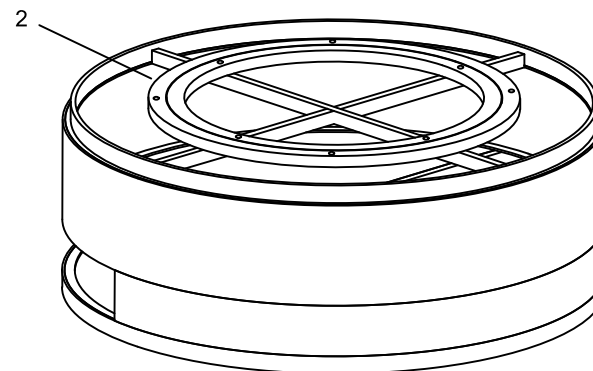
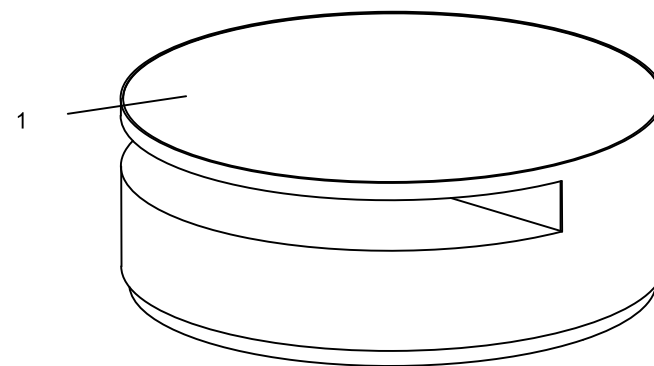
PLEASE UNPACK ALL PARTS AND CHECK QUANTITY AGAINST PARTS LIST BEFORE DISCARDING PACKING CARTON!

1) This is a set-up construction, No assembling steps

*** NOTE KEEP THIS SHEET ***

In the unlikely event that you would need a replacement part for your furniture, please contact your local authorized Schnadig International dealer. If you need replacement hardware quickly, it could be purchased from your local hardware store.

CLA-020-401				
TURN STYLE				
Part List				
Hardware List		Part Number	QTY	
1		Marble Top	CLA-020-401-0171	1
2		Swivel	CLA-020-401-0215	1
3		Adjustable Floor Glide	CLA-020-401-075	6



Adjustable Floor Glide