

SIG-021-121H/F/RR CITYSCAPE KG BED

CARACOLE SIGNATURE

ASSEMBLY INSTRUCTIONS

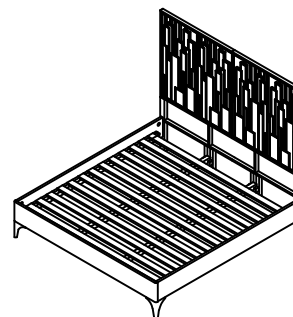
TWO (2) PEOPLE AND PHILIP'S SCREWDRIVER REQUIRED

PLEASE UNPACK ALL PARTS AND CHECK AGAINST PARTS LIST ON THIS INSTRUCTION SHEET BEFORE DISCARDING PACKING AND CARTON!!

- 1) Assemble the metal leg into the Footboard by bolt (Q), flat washer (H), lock washer (I), as shown in diagram A-1. Assemble the side rails and footboard using the bolt (F), curved washer (A), flat washer (B), lock washer (C), and nut (D) tighten with wrench provided (E), as shown in diagram A-2. Assemble the metal leg into the Side Rail by bolt (Q), flat washer (H), lock washer (I), as shown in diagram A-3.
- 2) Assemble the side rails and headboard using the bolt (F), curved washer (A), flat washer (B), lock washer (C), and nut (D) tighten with wrench provided (E) as shown in diagram B. **TIGHTEN ALL THE BOLTS WITH WRENCH PROVIDED (N/E).**
- 3) Attach the center support rail on the Cleat of headboard & footboard, using Philips' screw driver to tighten the screw (M) as shown in diagram C.
- 4) Attach the bed slats on the center support rail and cleat of side rails then using Philips' screw driver to tighten the screw (M) as shown in diagram D.

*** NOTE KEEP THIS SHEET!!! ***

In the unlikely event that you would need a replacement part for your furniture, please contact your local authorized Caracole International dealer. If you need replacement hardware quickly, it could be purchased from your local hardware store.



SIG-021-121 CITYSCAPE KG BED		
Part Description	Part No.	QTY
Headboard (1)	SIG-021-122-H	1
Footboard (2)	SIG-021-121-F	1
Side rail (3)	SIG-021-121-R	2
Center Support Rail (4)	SIG-021-121-R-0290	2
Slat (5)	SIG-021-121-F-067	12
Footboard Leg(6)	SIG-021-121-H-015	1
RTA Hardware(7)	SIG-021-121-R-001	1
RTA Hardware(8)	SIG-021-121-R-001	1
RTA Hardware(9)	SIG-021-121-R-001	1
Adjustable Cleat on Side Rail	SIG-021-121-R-30442	2
Adjustable Cleat on Headboard	SIG-021-121-H-30441	2
Adjustable Cleat on Footboard	SIG021-121 H-30441	2

RTA Hardware for footboard leg (7)			
NO.	Hardware List		KG BED Q'ty
Q		Bolt(5/16"X15MM)	8
H		Flat Washer(5/16"R8x1.5MM)	8
I		Lock Washer(5/16"R6.5x1.5MM)	8
N		Wrench	1

RTA Hardware For Side rail (8)			
NO.	Hardware List		KG BED Q'ty
A		Curved Washer	8
B		Flat Washer(5/16")	8
C		Lock Washer(5/16")	8
D		Nut	8
E		Wrench	1
F		Bolt (8x76mm)	8

RTA Hardware for bed slats (9)			
NO.	Hardware List		KG BED Q'ty
M		Screw(4.2x32MM)	52

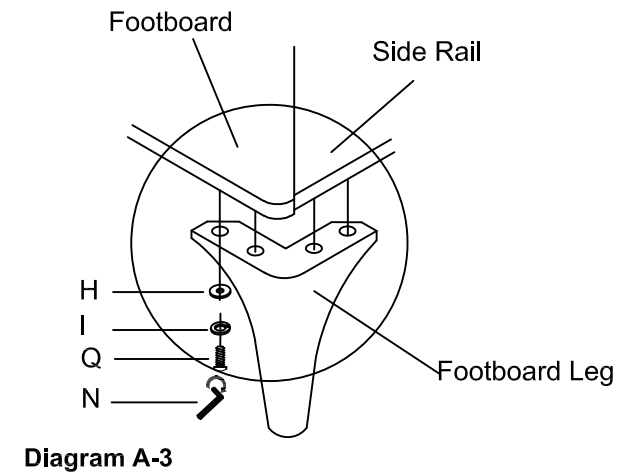
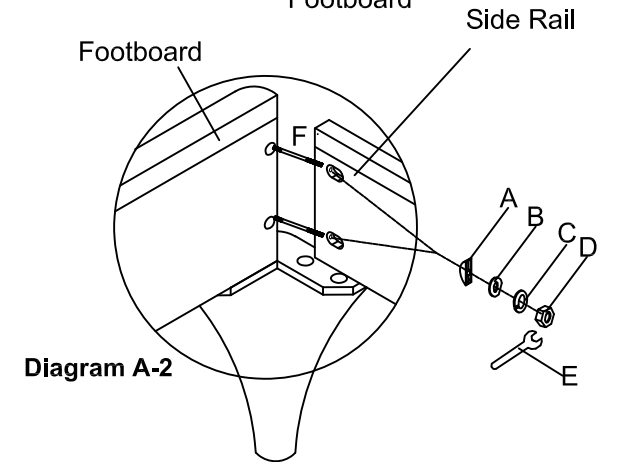
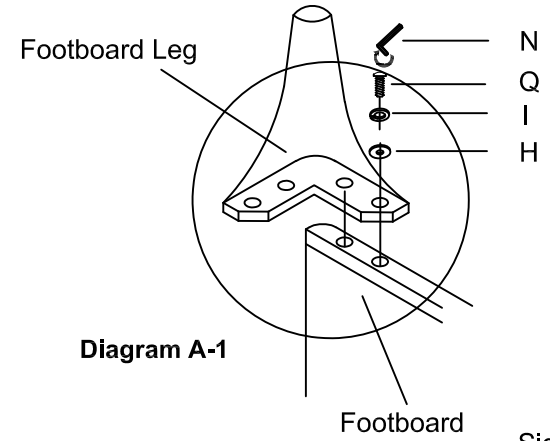
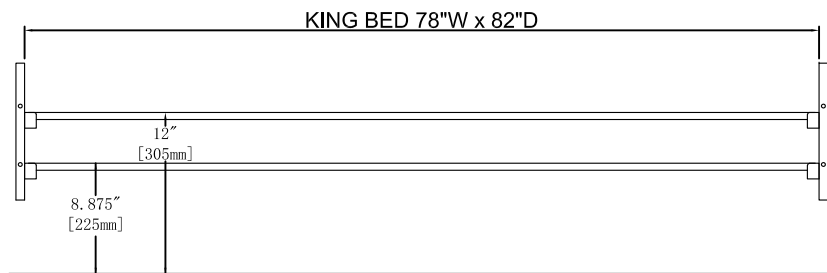
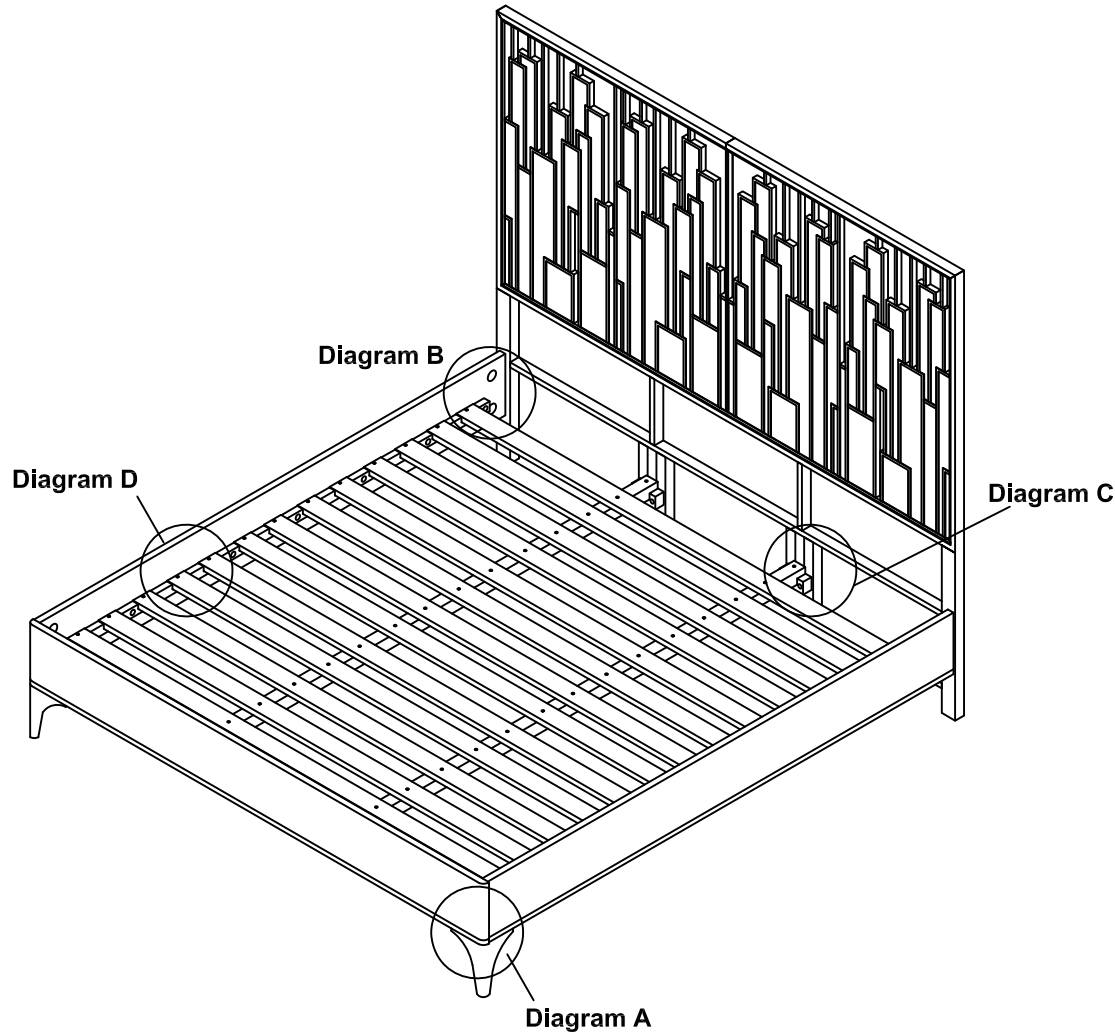


Diagram B

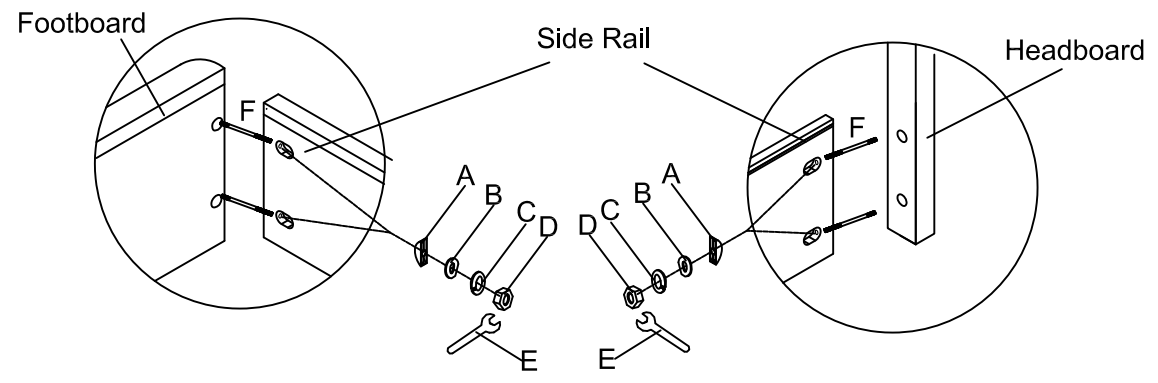


Diagram C

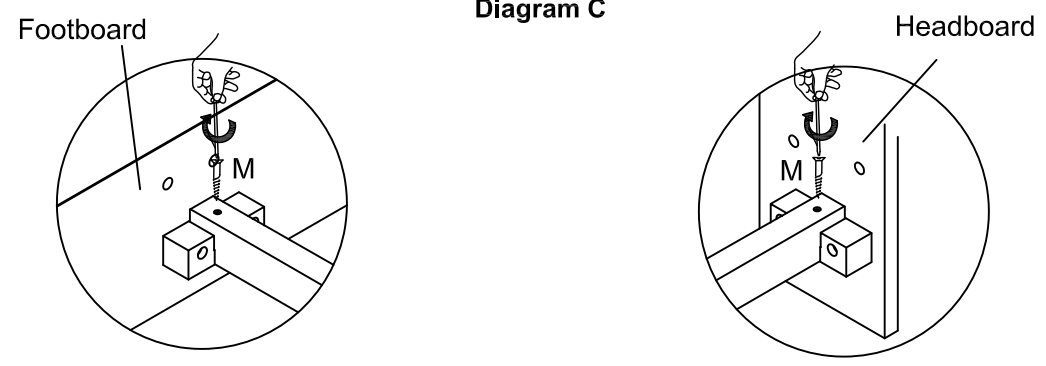


Diagram D

