

M133-421-122/102H/F/R-142R DA VITA PLATFORM BED KG/QN/CK

MODERN LA MODA

Attach the center support rail on the Cleat of headboard & footboard then using Philips' screw driver to tighten the screw (M) as shown in Diagram B.

ASSEMBLY INSTRUCTIONS

TWO (2) PEOPLE AND PHILIP'S SCREWDRIVER REQUIRED

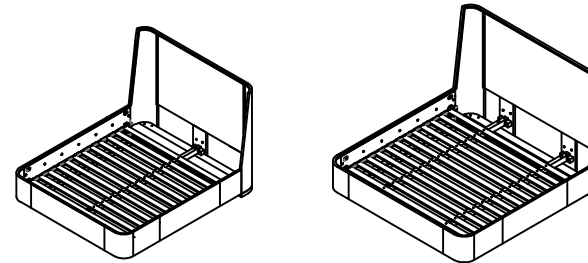
PLEASE UNPACK ALL PARTS AND CHECK AGAINST PARTS LIST ON THIS INSTRUCTION SHEET BEFORE DISCARDING PACKING AND CARTON!!

- 1) Connect the side rails and headboard / footboard by bolt (F).
- 2) Attach the center support rail on the Cleat of headboard & footboard, please NOTED that the end with sticker "H" towards headboard and " F" towards footboard. Using Philips' screw driver to tighten the screw (M) as shown in diagram B.
- 3) Attach the bed slats on the center support rail and cleat of side rails then using Philips' screw driver to tighten the screw (M) as shown in diagram C.
- 4) The bed slats are adjustable and you can move it to another location by Wrench provided (N) as shown in Diagram B & Diagram C.

Note:Touch-up pen is provided for repair of minor issues resulting from transit ,handing and normal use.

*** NOTE KEEP THIS SHEET!!! ***

In the unlikely event that you would need a replacement part for your furniture, please contact your local authorized Caracole International dealer. If you need replacement hardware quickly, it could be purchased from your local hardware store.



Part Description	M133-421-102		M133-421-122		M133-421-142	
	QUEEN BED		KING BED		CAL KING BED	QTY
Part No.	QTY	Part No.	QTY	Part No.	1	
Headboard (1)	M133-421-102-H	1	M133-421-122-H	1	M133-421-122-H	1
Footboard (2)	M133-421-102-F	1	M133-421-1212-F	1	M133-421-122-F	2
Side rail (3)	M133-421-102-R	2	M133-421-122-R	2	M133-421-142-R	5
Center Support Rail (4)	M133-421-102-R	1	M133-421-122-R	2	M133-421-142-R	2
Slat (5)	M133-421-102-F-3067	12	M133-421-122-F-3067	12	M133-421-122-F-3067	12
RTA Hardware(6)	M133-421-102-H-30444	1	M133-421-122-H-30444	1	M133-421-122-H-30444	1
RTA Hardware(7)	M133-421-102-R-30443	1	M133-421-122-R-30443	1	M133-421-142-R-30443	1
RTA Hardware(8)	M133-421-102-R-3001	1	M133-421-122-R-3001	1	M133-421-122-R-3001	1
RTA Hardware(9)	M133-421-102-F-3001	1	M133-421-122-F-3001	1	M133-421-122-F-3001	1
Adjustable Cleat on Side Rail	M133-421-102-R-30442	2	M133-421-122-R-30442	2	M133-421-142-R-30442	2
Adjustable Cleat on Headboard	M133-421-102-H-30441	1	M133-421-122-H-30441	2	M133-421-122-H-30441	2
Adjustable Cleat on Footboard	M133-421-102-H-30441	1	M133-421-122-H-30441	2	M133-421-122-H-30441	2
Touch-up pen	M131-421-402-30439	1	M131-421-402-30439	1	M131-421-402-30439	1

RTA Hardware for bed slats (9)			
NO.	Hardware List	KG/CK BED Q'ty	QN BED Q'ty
M	Screw(4.2x32MM)	76	62

RTA Hardware For Side rail (8)				
NO.	Hardware List	KG/CK BED Q'ty	QN BED Q'ty	
A	Curved Washer	8	8	
B	Flat Washer(5/16")	8	8	
C	Lock Washer(5/16")	8	8	
D	Nut	8	8	
E	Wrench	1	1	
F	Bolt (8x85mm)	8	8	
N	Wrench	1	1	

RTA Hardware for adjustable side rail cleat (7)			
NO.	Hardware List	KG/CK BED Q'ty	QN BED Q'ty
G	Bolt(5/16"X44MM)	14	14
H	Flat Washer(5/16"R8x1.5MM)	14	14
I	Lock Washer(5/16"R6.5x1.5MM)	14	14

RTA Hardware for Center Support Rail (6)			
NO.	Hardware List	KG/CK BED Q'ty	QN BED Q'ty
J	Bolt(5/16"X63MM)	8	4
H	Flat Washer(5/16"R8x2MM)	8	4
I	Lock Washer(5/16"R5x1.5MM)	8	4

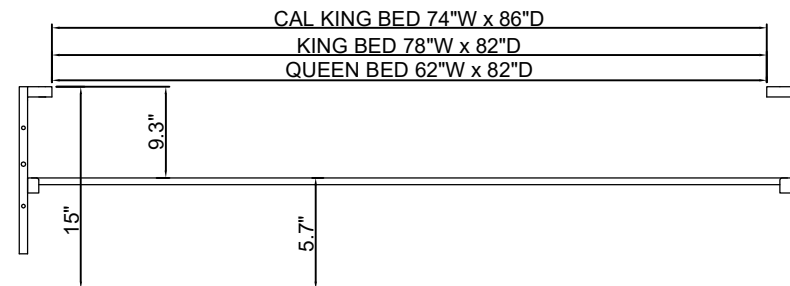
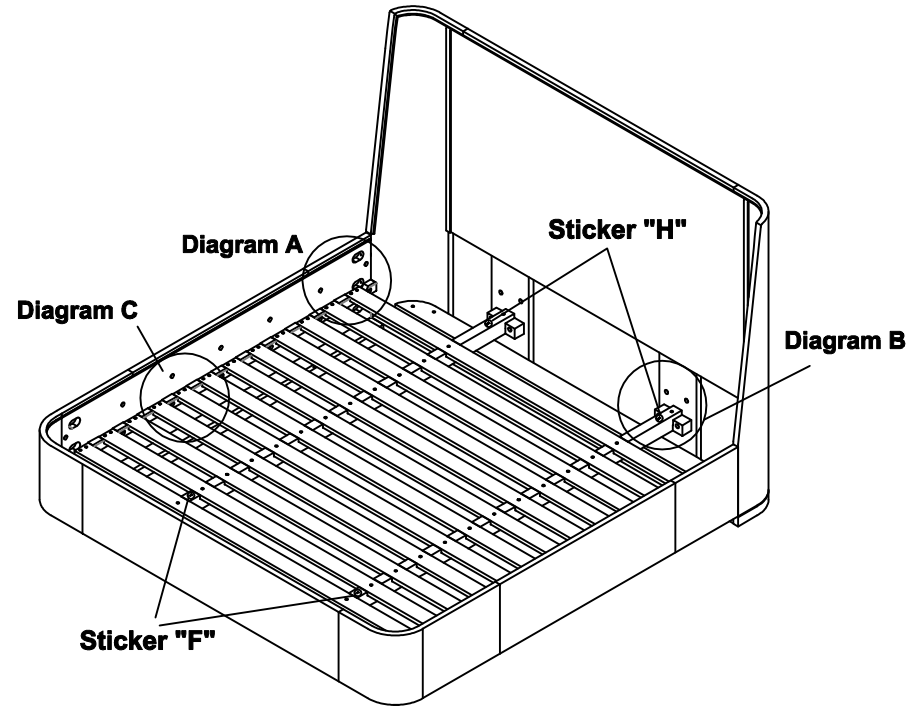
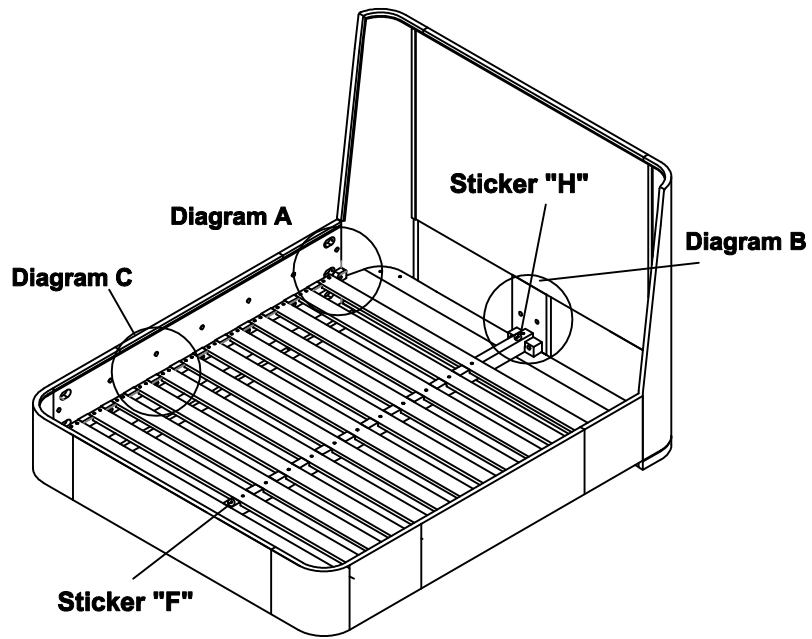


Diagram A

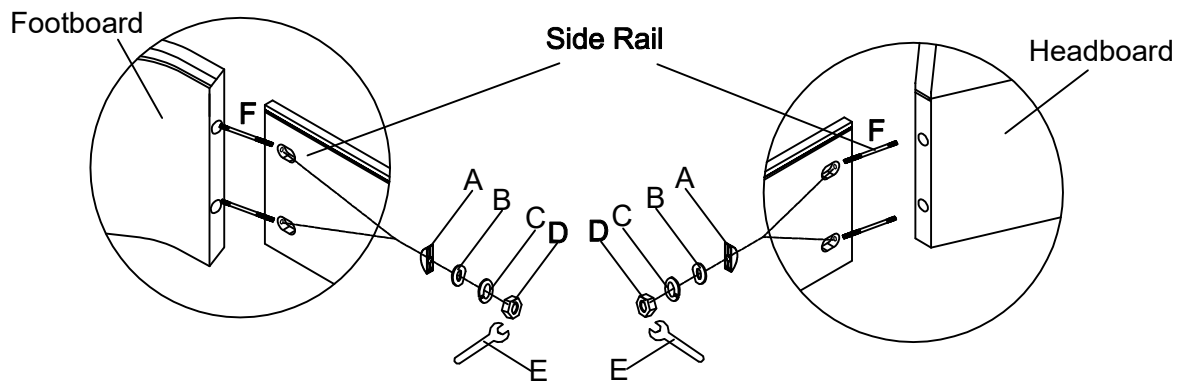


Diagram B

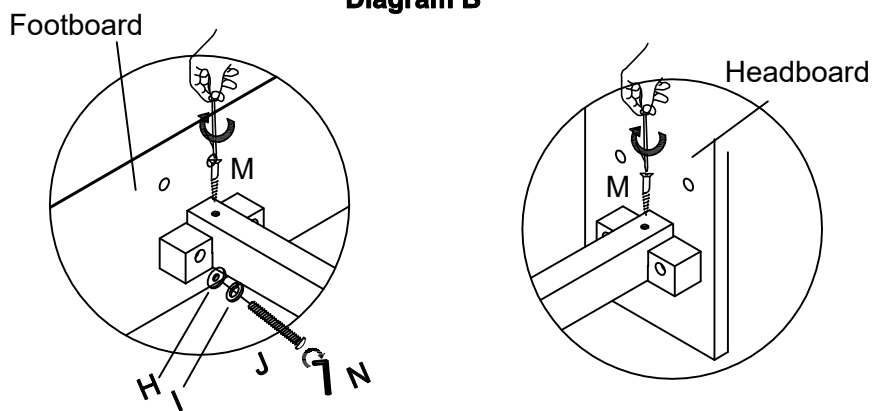


Diagram C

