

M133-421-121/101H/F/R-141R LA MODA UPH PANEL BED KG/QN/CK

MODERN LA MODA

ASSEMBLY INSTRUCTIONS

TWO (2) PEOPLE AND PHILIPS SCREWDRIVER REQUIRED

PLEASE UNPACK ALL PARTS AND CHECK AGAINST PARTS LIST ON THIS INSTRUCTION SHEET BEFORE DISCARDING PACKING AND CARTON!!!

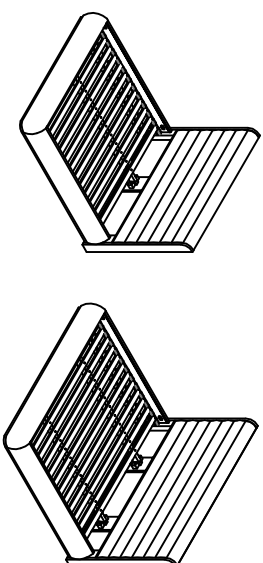
- 1) Connect the side rails and headboard / footboard by Bolt (F).
- 2) Attach the center support rail on the Cleat of headboard & footboard then using Phillips' screw driver to tighten the screw (M) as shown in Diagram B.
- 3) Attach the bed slats on the center support rail and cleat of side rails then using Phillips' screw driver to tighten the Screw (M) as shown in diagram C.
- 4) The bed slats are adjustable and you can move it to another location by Wrench provided (N) as shown in Diagram B & Diagram C.

Note: Touch-up pen is provided for repair of minor issues resulting from transit, handling and normal use.

*** NOTE KEEP THIS SHEET!!! ***

In the unlikely event that you would need a replacement part for your furniture, please contact your local authorized Caracole International dealer. If you need replacement hardware quickly, it could be purchased from your local hardware store.

Part Description	M133-421-101 QN BED		M133-421-121 KG BED		M133-421-141 CK BED		QTY
	Part No.	QTY	Part No.	QTY	Part No.	QTY	
Headboard (1)	M133-421-101-H	1	M133-421-121-H	1	M133-421-121-H	1	1
Footboard (2)	M133-421-101-F	1	M133-421-121-F	1	M133-421-121-F	1	1
Side rail (3)	M133-421-101-R	2	M133-421-121-R	2	M133-421-141-R	2	2
Center Support Rail (4)	M133-421-101-R	1	M133-421-121-R	2	M133-421-141-R	2	2
Slat (6)	M133-421-101-F-3067	12	M133-421-121-F-3067	12	M133-421-121-F-3067	12	12
RTA Hardware(7)	M133-421-101-H-30444	1	M133-421-121-H-30444	1	M133-421-121-H-30444	1	1
RTA Hardware(8)	M133-421-101-R-30443	1	M133-421-121-R-30443	1	M133-421-141-R-30443	1	1
RTA Hardware(9)	M133-421-101-R-3001	1	M133-421-121-R-3001	1	M133-421-141-R-3001	1	1
RTA Hardware(10)	M133-421-101-F-3001	1	M133-421-121-F-3001	1	M133-421-121-F-3001	1	1
Adjustable Cleat on Side Rail	M133-421-101-R-30442	2	M133-421-121-R-30442	2	M133-421-141-R-30442	2	2
Adjustable Cleat on Headboard	M133-421-101-H-30441	1	M133-421-121-H-30441	2	M133-421-121-H-30441	2	2
Adjustable Cleat on Footboard	M133-421-101-H-30441	1	M133-421-121-H-30441	2	M133-421-121-H-30441	2	2
Touch-up pen	M133-421-061-30439	1	M133-421-061-30439	1	M133-421-061-30439	1	1



RTA Hardware For Side rail (9)			
NO.	Hardware List	KG/CK BED Qty	QN BED Qty
A	Curved Washer	8	8
B	Flat Washer(5/16")	8	8
C	Lock Washer(5/16")	8	8
D	Nut	8	8
E	Wrench	1	1
F	Bolt (8x85mm)	8	8
N	Wrench	1	1

RTA Hardware for adjustable side rail cleat (8)			
NO.	Hardware List	KG/CK BED Qty	QN BED Qty
G	Bolt(5/16"x44MM)	14	14
H	Flat Washer(5/16"R8x1.5MM)	14	14
I	Lock Washer(5/16"R6.5x1.5MM)	14	14

RTA Hardware for Center Support Rail (7)			
NO.	Hardware List	KG/CK BED Qty	QN BED Qty
J	Bolt(5/16"x63MM)	8	4
H	Flat Washer(5/16"R8x2MM)	8	4
I	Lock Washer(5/16"R5x1.5MM)	8	4

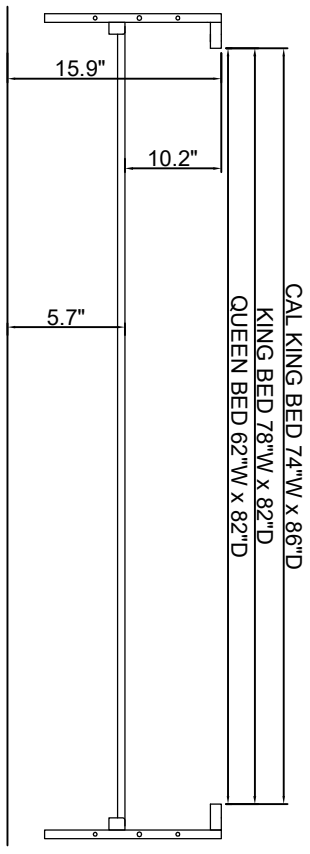
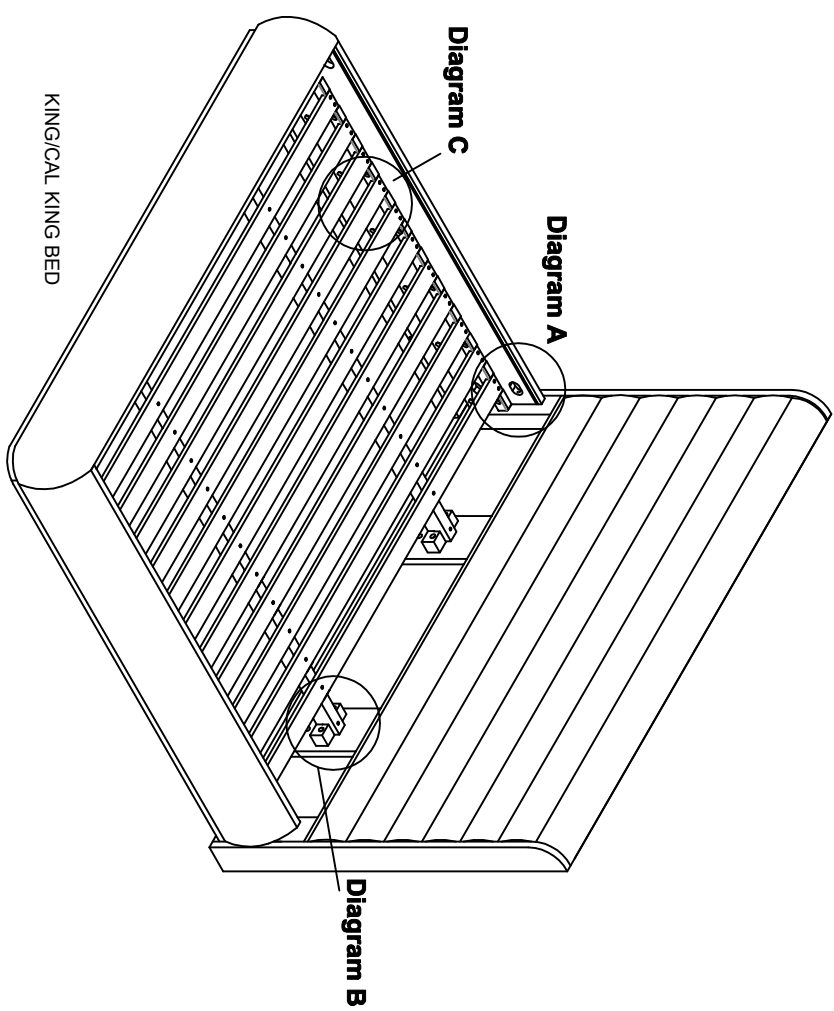
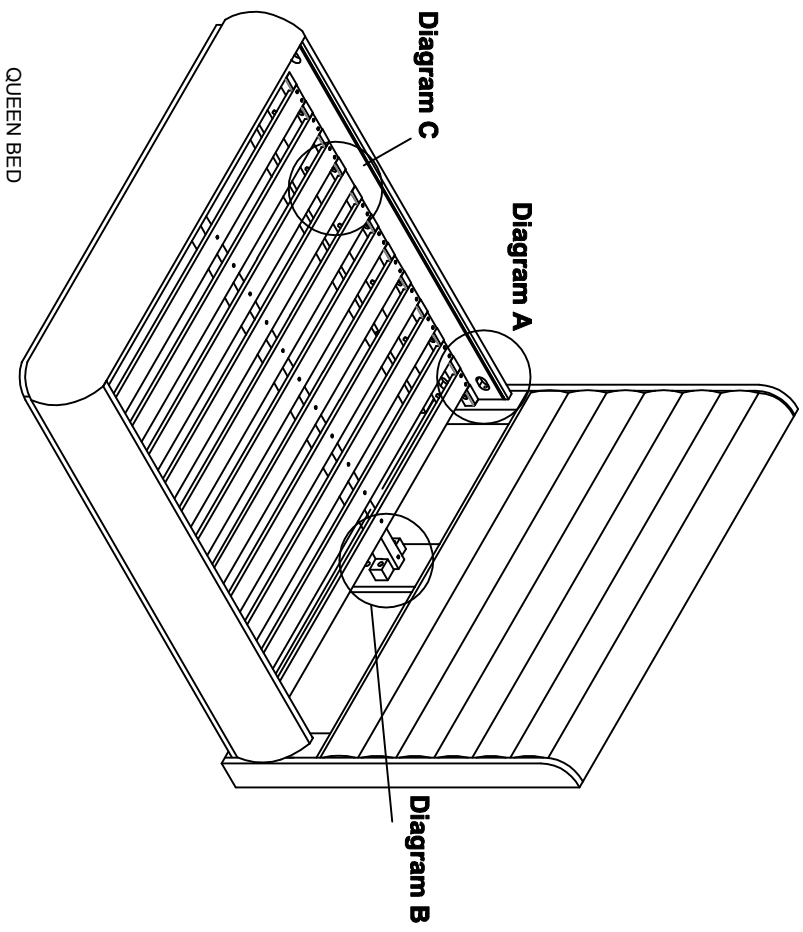


Diagram A

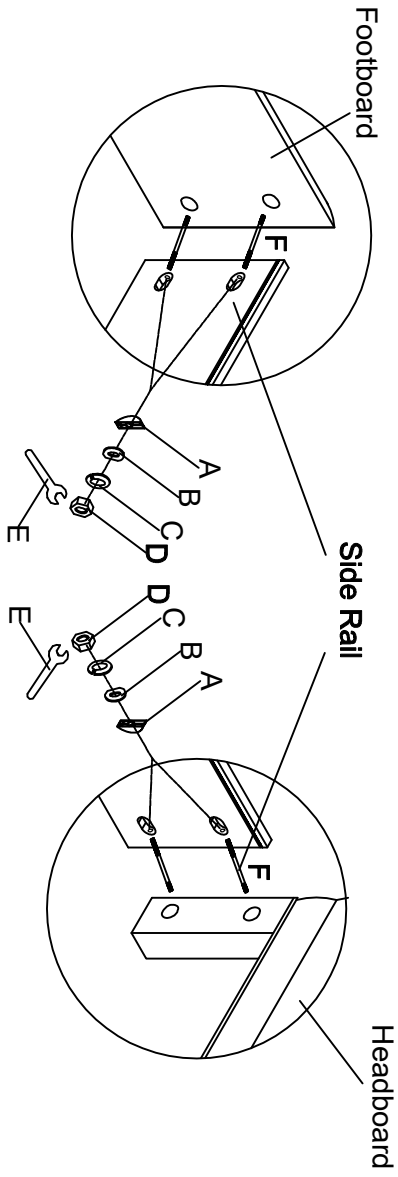


Diagram B

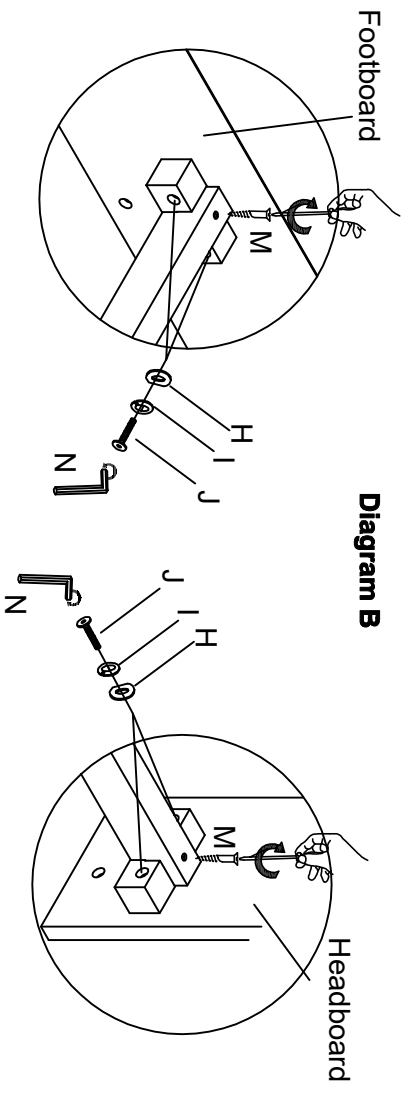


Diagram C

