

# M123-420-101-121 H / F / R - 141R QUEEN / KING / CAL KING BED

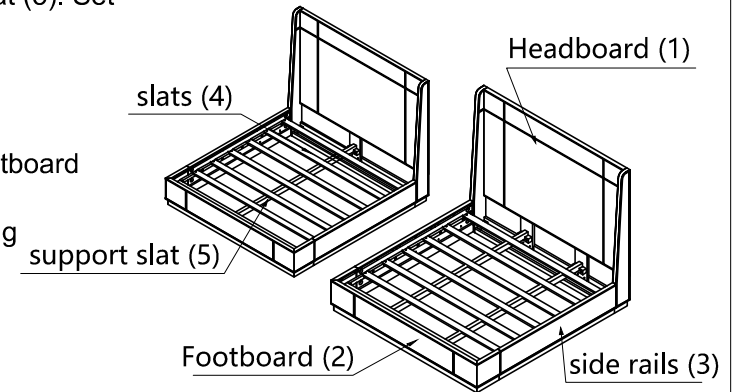
## CARACOLE MODERN

### ASSEMBLY INSTRUCTIONS

TWO (2) PEOPLE AND SCREWDRIVER REQUIRED

PLEASE UNPACK ALL PARTS AND CHECK AGAINST PARTS LIST ON THIS INSTRUCTION SHEET BEFORE DISCARDING PACKING AND CARTON!!

- 1) Remove the pre-installed panel support for footboard and headboard by Allen Key provided (F) as shown in Diagram A1.  
Apply the felt pad (H) to the bottom of the headboard (1) 2 (pcs), footboard (2) 4(pcs) , each side rails (3) 2(pcs) as shown in Diagram A2.
- 2) Connect the side rails (3) and headboard (1)/ footboard (2) by bolt (E) , using the curved washer (A), lock washer (B), flat washer (B1) and nut (C) tighten with wrench provided (D), as shown in Diagram B. (On inside face of Headboard and Side rails notice A and B , need assembly correct position A-A , B-B)
- 3) We can take out or assemble the adjustable wooden brackets on HB,FB and the adjustable rail on side rail (3) for suitable for use purpose ,through the lower holes and the upper holes by Allen Key provided (F), as shown in Diagram C1,C2.  
(Note: need to use more bolt (I) lock washer (B), flat washer (B1) to fixed to the adjustable rail with footboard before make next step ), as shown in Diagram C3
- 4) On inside face of both Headboard (1) and foodboard (2) are pre-installed wooden brackets for support slat (5). Set the support slat (5) on the wooden brackets, as shown in Diagram D.
- 5) On inside face of both side rails (3) are cavities designed to hold the slats (4). Set the slats (4) on both sides of the side rails (3) using short screws (G) tighten by the screwdriver (not included), as shown in Diagram E.
- 6) For the side rail of cal king bed only,need using screws (G) to conect the cap rail of side rail with the Footboard to increase stability tighten screws by the screwdriver (not included), as shown in Diagram F.
- 7) For the slats of cal king bed only , the slats should be rotate at tilt position to easy install, after that using screws (J) through holes on the pre-installed L shape metal to fixed to slats tighten by the screwdriver (not included) as shown in Diagram G.



\*\*\* NOTE KEEP THIS SHEET!!! \*\*\*

In the unlikely event that you would need a replacement part for your furniture, please contact your local authorized Schnadig International dealer. If you need replacement hardware quickly, it could be purchased from your local hardware store.

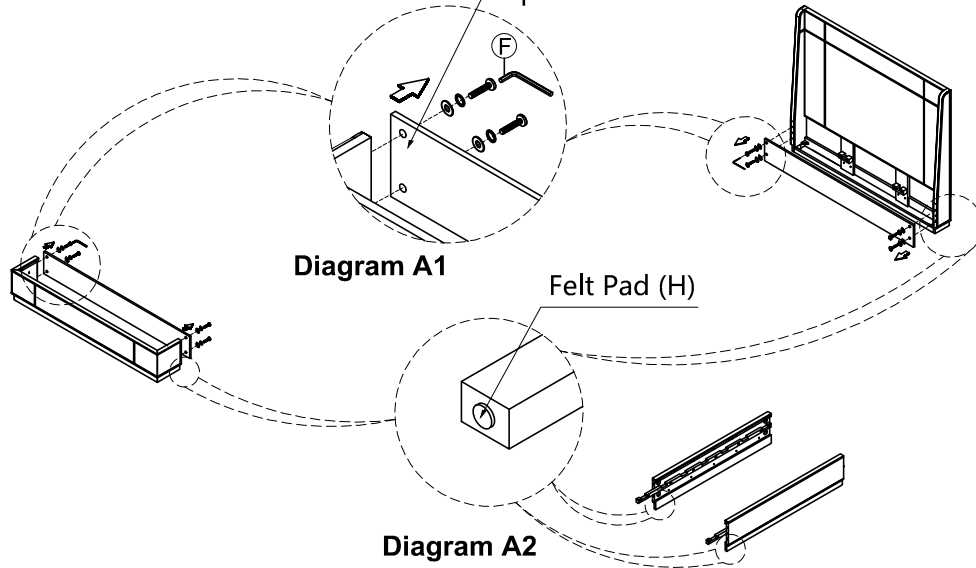
Part Description	M123-420-101 QN BED		M123-420-121 KG BED		M123-420-141R CK BED	
	Part No.	QTY	Part No.	QTY	Part No.	QTY
1 Headboard	M123-420-101-H	1 (pc)	M123-420-121-H	1 (pc)	M123-420-141-H	1 (pc)
2 Footboard	M123-420-101-F	1 (pc)	M123-420-121-F	1 (pc)	M123-420-141-F	1 (pc)
3 Side rail	M123-420-101-R	2 (pcs)	M123-420-121-R	2 (pcs)	M123-420-141-R	2 (pcs)
4 Slats	M123-420-101-3017	7 (pcs)	M123-420-121-3017	7 (pcs)	M123-420-121-3017	7 (pcs)
5 Support slats	M123-420-101-3018	1 (pc)	M123-420-101-3018	2 (pcs)	M123-420-141-3018	2 (pcs)
6 RTA hardware	M123-420-101-3001	1 (pc)	M123-420-101-3001	1 (pc)	M123-420-141-3001	1 (pc)

RTA Hardware For Side rail and slats of KB and QB		
NO.	Hardware List	Q'ty
A	Curved Washer(5/16")	8 (pcs)
B	Lock Washer (5/16"x13mm)	12 (pcs)
B1	Flat Washer (5/16"x16x2mm)	12 (pcs)
C	Nut (5/16"x12mm)	8 (pcs)
D	Wrench (5/16") 88x12mm	1 (pc)
E	Bolt (5/16"x82mm)	8 (pcs)
F	Allen Key (59x23x4mm)	1 (pc)
G	Screws(#8x28mm)	14 (pcs)
H	Felt pad (Ø22x2mm)	10 (pcs)
I	Bolt (1/4"x44mm)	4 (pcs)

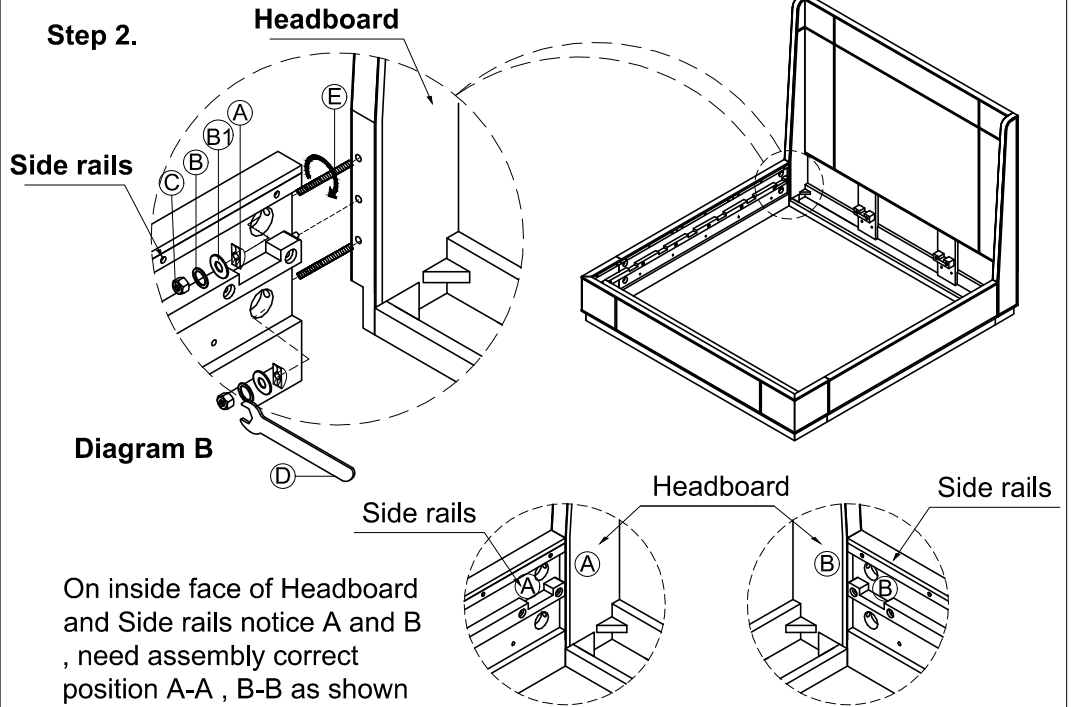
RTA Hardware For Side rail and slats of cal king bed		
NO.	Hardware List	Q'ty
A	Curved Washer(5/16")	8 (pcs)
B	Lock Washer (5/16"x13mm)	12 (pcs)
B1	Flat Washer (5/16"x16x2mm)	12 (pcs)
C	Nut (5/16"x12mm)	8 (pcs)
D	Wrench (5/16") 88x12mm	1 (pc)
E	Bolt (5/16"x82mm)	8 (pcs)
F	Allen Key (59x23x4mm)	1 (pc)
G	Screws(#8x28mm)	18 (pcs)
H	Felt pad (Ø22x2mm)	10 (pcs)
I	Bolt (1/4"x44mm)	4 (pcs)
J	Screws(#7x15mm)	14 (pcs)

**Step 1.**

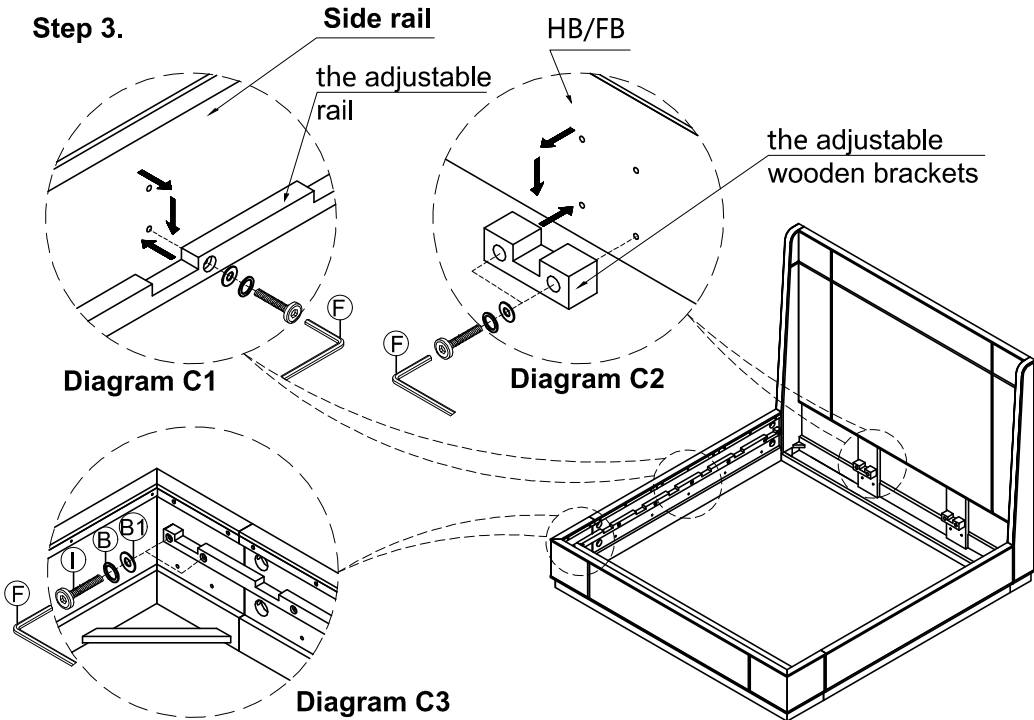
this panel support for footboard and headboard are not part of product , please discard after removal



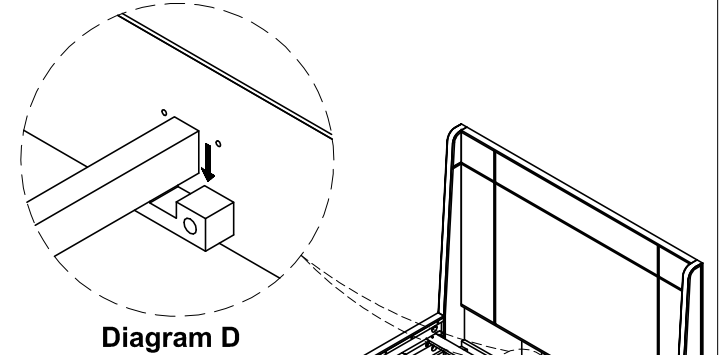
**Step 2.**



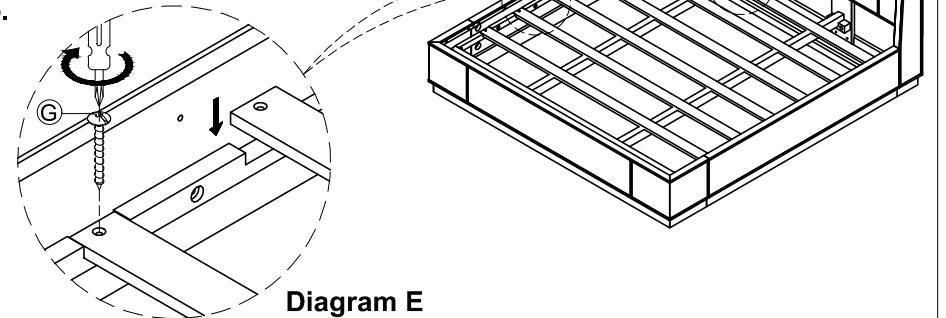
**Step 3.**



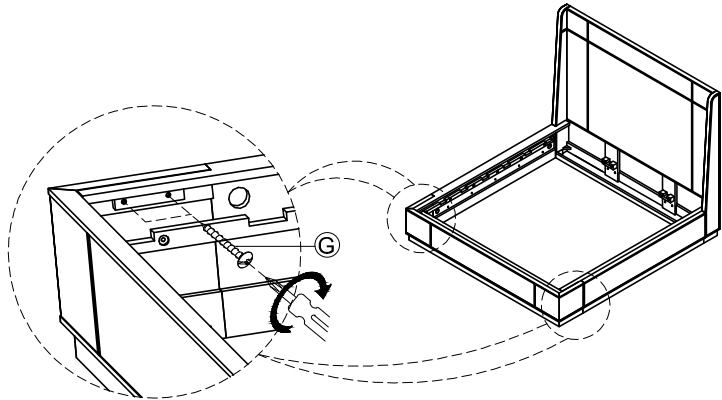
**Step 4.**



**Step 5.**



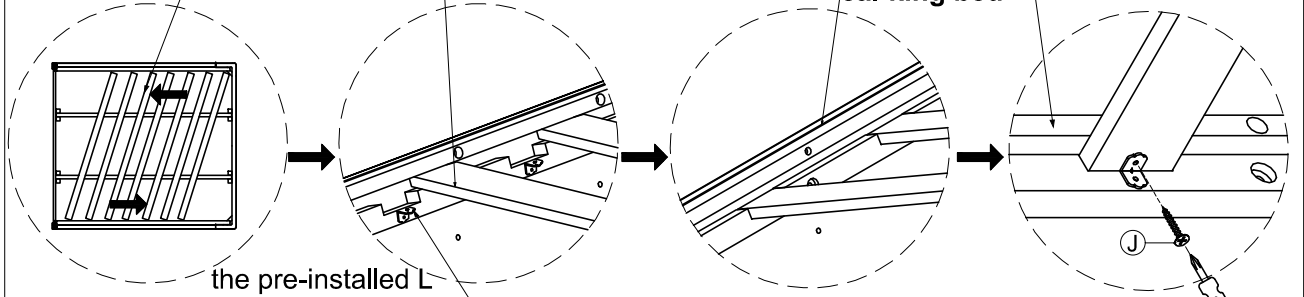
**Step 6.**



**Diagram F**

**Step 7.**

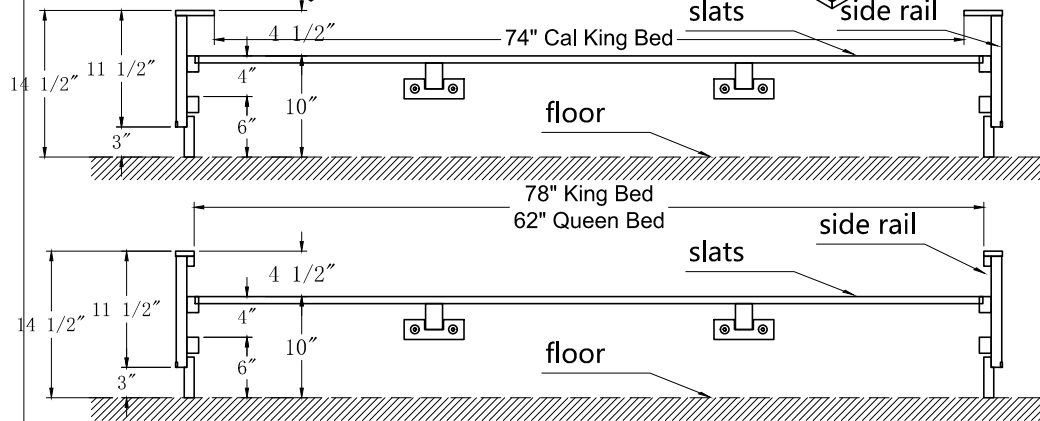
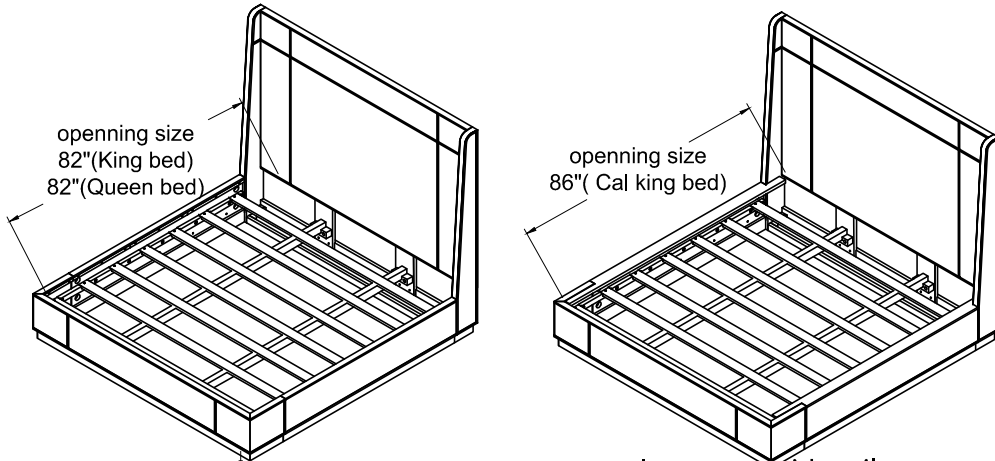
Cal King bed : the slats should be rotate at tilt position to easy install



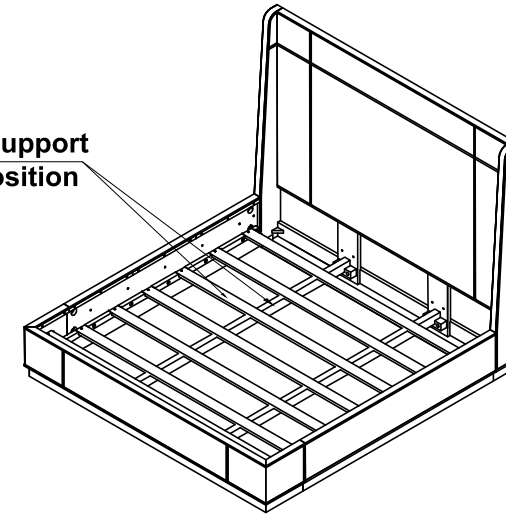
the pre-installed L shape metal on the adjustable rail of cal king bed only

the cap rail on cal-king bed

**Diagram G**



**The Slats And Support Slat In Lower Position**



**The Slats And Support Slat In Upper Position**

