

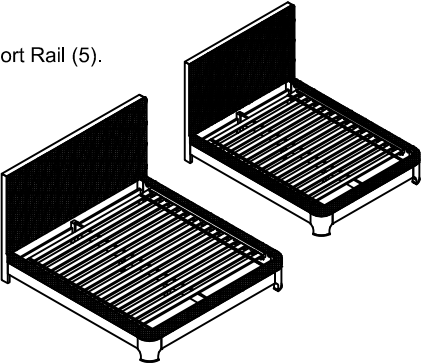
M023-417-101-121H/F/R Modern Queen / King bed
MODERN STREAMLINE

ASSEMBLY INSTRUCTIONS

TWO(2)PEOPLE AND PHILIP'S SCREWDRIVER REQUIRED

UNPACK ALL PARTS AND CHECK AGAINST PARTS LIST ON THIS INSTRUCTION SHEET BEFORE DISCARDING PACKING AND CARTON!!

- 1) Connect the side rail and headboard/footboard by bolt (F).
- 2) Assemble the side rail and headboard/footboard using the curved washer (A), flat washer (B), lock washer (C), and nut (D) by wrench (E), as shown in Diagram A.
- 3) On inside face of both Headboard (1) and footboard (2) are pre-installed wooden brackets for Center Support Rail (5). Set the support slat (5) on the wooden brackets, as shown in Diagram B.
- 4) Mount the assembled slats onto the cleat of side rails with screws (G). Use a Phillips Head Screwdriver to tighten screws, as shown in Diagram C.



*** NOTE KEEP THIS SHEET!!! ***

In the unlikely event that you would need a replacement part for your furniture, please contact your local authorized Schnadig International dealer. If you need replacement hardware quickly, it could be purchased from your local hardware store.

Part Description	M023-417-101H/F/R Queen Bed		M023-417-121H/F/R King bed	
	Part No.	QTY	Part No.	QTY
Headboard (1)	M023-417-101-H	1	M023-417-121-H	1
Footboard (2)	M023-417-101-F	1	M023-417-121-F	1
Side rail (3)	M023-417-101-R	2	M023-417-101-R	2
Slat (4)	M023-417-101-F-3017	1set	M023-417-121-F-3017	1set
Center Support Rail(5)	M023-417-101-R-3039	1	M023-417-101-R-3039	1
RTA Hardware(6)	M023-417-101-R-3001	1	M023-417-101-R-3001	1

RTA Hardware			
NO.	Hardware List	Q'ty	
A	Curved Washer	8	
B	Flat Washer	8	
C	Lock Washer	8	
D	Nut	8	
E	Wrench	1	
F	Bolt	8	
G	Screw(#8x32)	16	

Diagram A

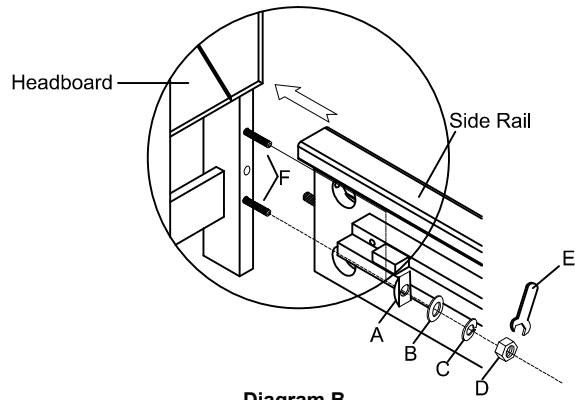


Diagram B

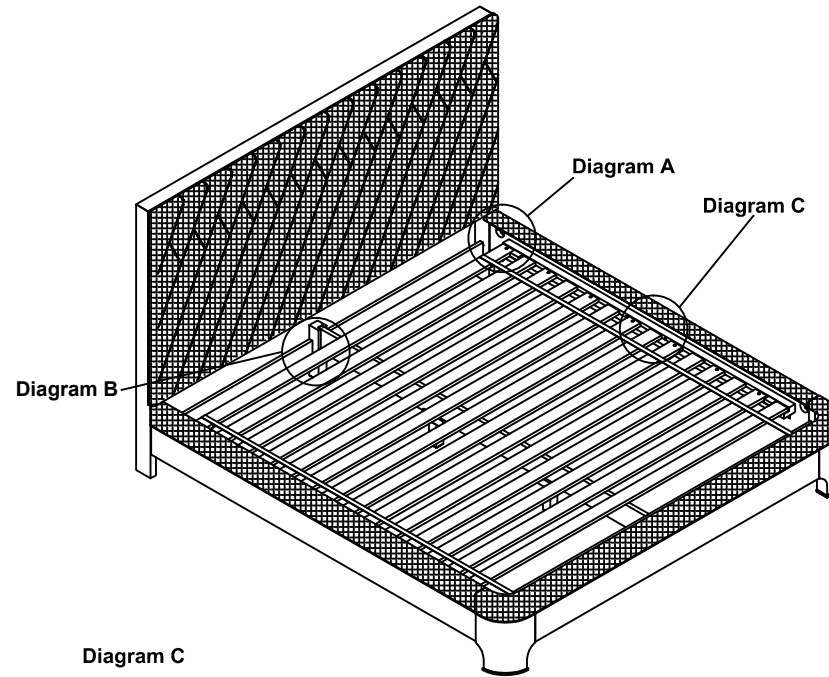
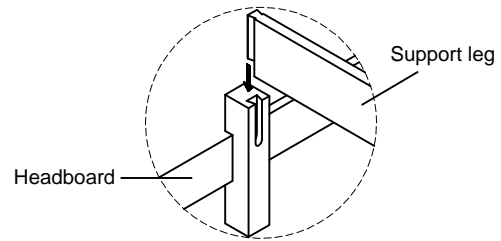


Diagram C

