

M023-417-061 STREAMLINE NIGHTSTAND
MODERN STREAMLINE

ASSEMBLY INSTRUCTIONS

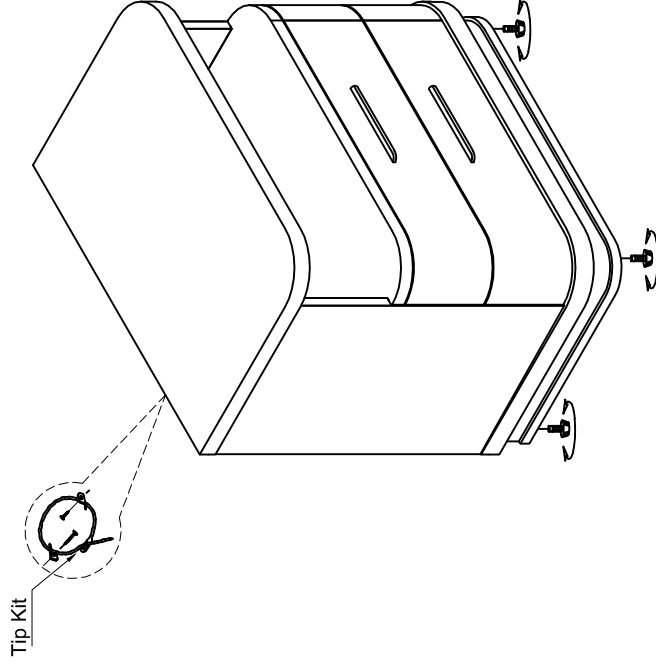
PLEASE UNPACK ALL PARTS AND CHECK AGAINST PARTS LIST ON THIS INSTRUCTION SHEET BEFORE DISCARDING PACKING AND CARTON!!

This is a set-up case and no assembly is required except for anti-tipping restraint straps.(follow instruction for tip kit)

*** NOTE KEEP THIS SHEET!! **

In the unlikely event that you would need a replacement part for your furniture, please contact your local authorized Schnadig International dealer. If you need replacement hardware quickly, it could be purchased from your local hardware store.

| M023-417-061 Streamline Nightstand | |
|---------------------------------------|------------------------|
| Part Description | Part No. QTY |
| Drawer Glide 14" | M023-417-061-3025 2set |
| Adjustable levelers | M023-417-061-3003 4 |
| Tip Kit | M023-417-061-3019 1 |
| Drawer Pull | M023-417-061-3020 2 |



Adjustable levelers