

CON-COCTAB-024

CARACOLE CONTEMPORARY

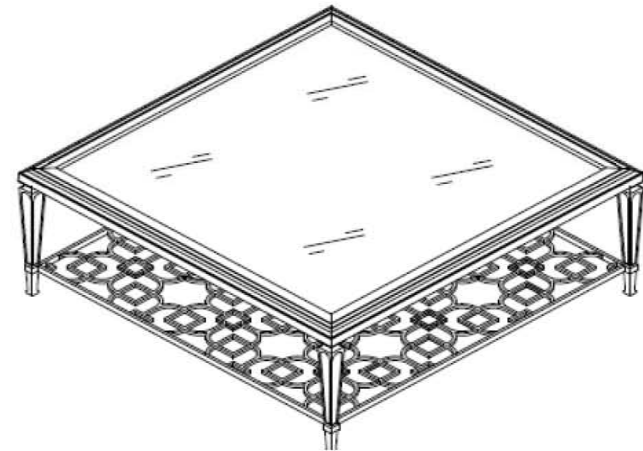
1 of 2

ASSEMBLY INSTRUCTIONS

TWO(2)PEOPLE REQUIRED

UNPACK ALL PARTS AND CHECK AGAINST PARTS LIST ON THIS INSTRUCTION SHEET BEFORE DISCARDING PACKING AND CARTONING!!




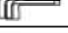

- 1) Secure metal base to the leg using the bolts(A),tighten the bolts with wrench (E) untill stretcher is fully assembly(see step 1 on diagram A)
- 2) Turn the top upside down on a soft clean surface.Secure leg to top using the bolt(B),lock washer (C)and flat washers(D),tighten the bolts with wrench (E) untill stretcher is fully assembly(see step 2 on diagram A)
- 3) Assembly middle support leg on metal base by hand(see step 3 on diagram A)
- 4) Put the glass top on the top frame(see step 4 on diagram A)



***** NOTE KEEP THIS SHEET!!!**

In the unlikely event that you would need a replacement part for your table, please fax this sheet to our CSR at 1-800-848-8930 with your order or call 1-800-468-8730 .If you need replacement hardware quickly,it could be purchased from your local hardware store.

| CON-COCTAB-024 MINIMALIST METAL/WD CKTL TABLE | | |
|--|----------------------|-----|
| Part Description | Part No. | QTY |
| Top | CON-COCTAB-024-20255 | 1 |
| Legs | CON-COCTAB-024-2018 | 4 |
| Bottom Shelf | CON-COCTAB-024-2027 | 1 |
| Middle Support leg | CON-COCTAB-024-20118 | 1 |
| Glass Top | CON-COCTAB-024-2029 | 1 |
| Adjust Floor Glide | CON-COCTAB-024-2075 | 5 |
| RTA Hardware | CON-COCTAB-024-2001 | 1 |

| RTA Hardware | | | |
|---------------|---|-------------------------------|-----|
| Hardware List | | | Qty |
| A |  | DIA 1/4"X 5/8" Flat head Bolt | 4 |
| B |  | DIA 1/4"X 1-1/8" Bolt | 8 |
| C |  | DIA1/4" lock washer | 8 |
| D |  | DIA 1/4" X 16mm flat washer | 8 |
| E |  | 4mm Allen Wrench | 1 |
| F |  | M1/4"X3/8FLAT HEAD BOLT | 2 |

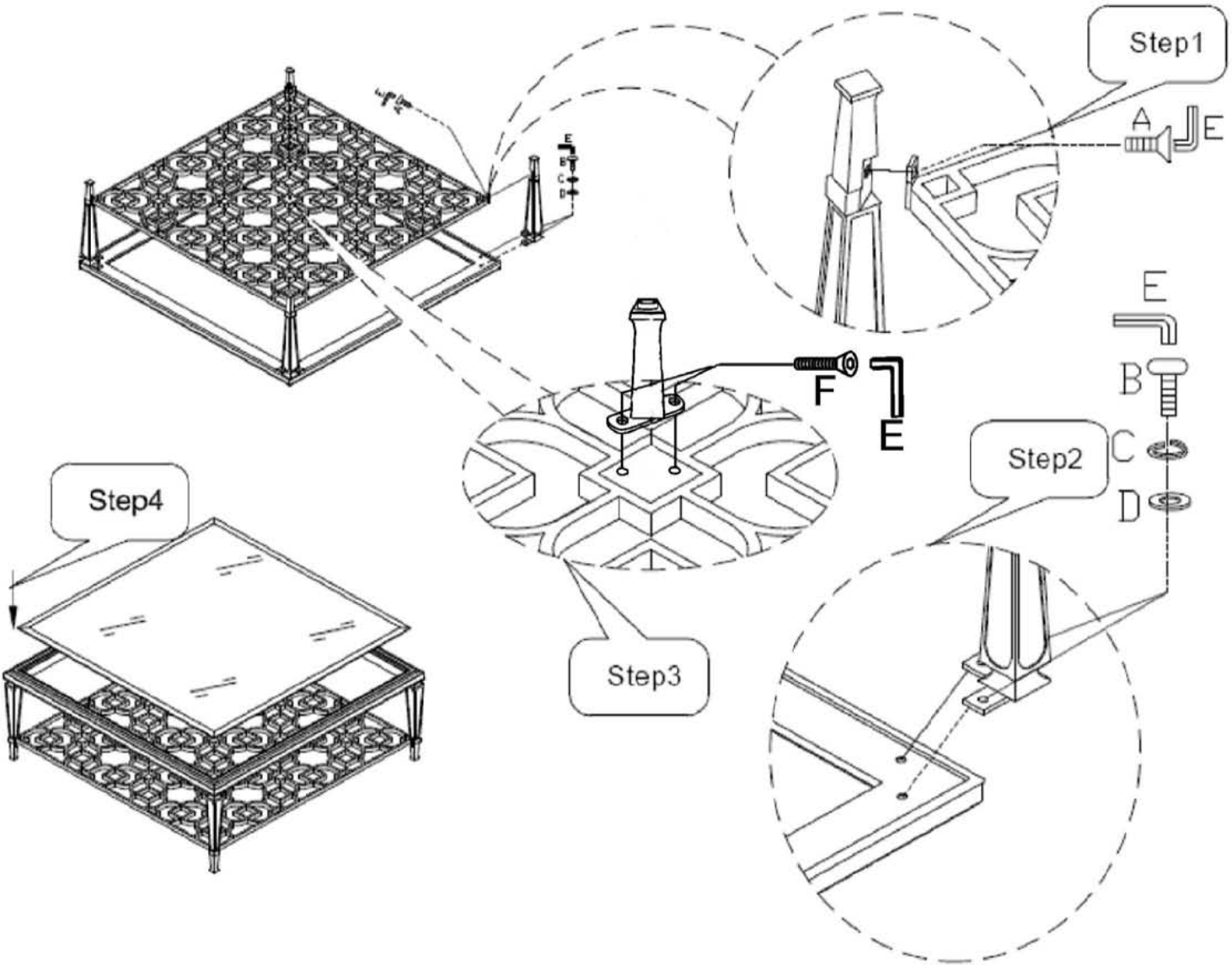


Diagram A