

CLA-422-441 CONSTANTLY CHRMING

CARACOLE CLASSIC

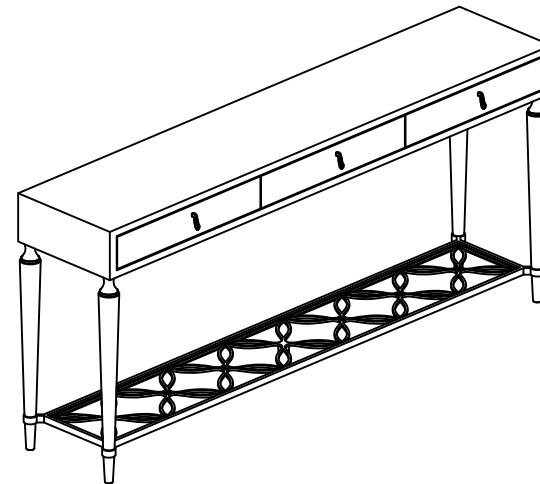
ASSEMBLY INSTRUCTIONS








PLEASE UNPACK ALL PARTS AND CHECK QUANTITY AGAINST PARTS LIST BEFORE DISCARDING PACKING CARTON!





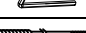
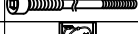

- 1) Turn the top box upside down on a soft clean surface, Secure the upper legs into the top box with bolts (B), with the spring washers (C), flat washers (D), and the wrench (E). Do not tighten the bolts.
- 2) Secure the bottom legs and the shelf frame into the upper legs with bolts (F), and the wrench (A). Tighten up all the bolts
- 3) Place the adjustable floor glides into the legs.
- 4) Turn the table upside down, the assembling steps are done

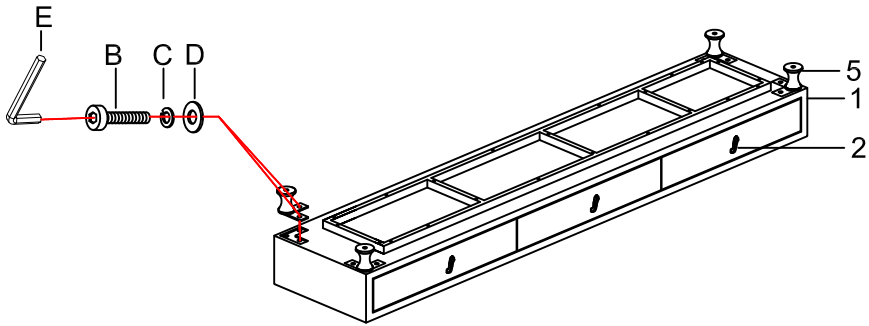
*** NOTE KEEP THIS SHEET!!! ***

In the unlikely event that you would need a replacement part, please contact your local authorized Caracole dealer.

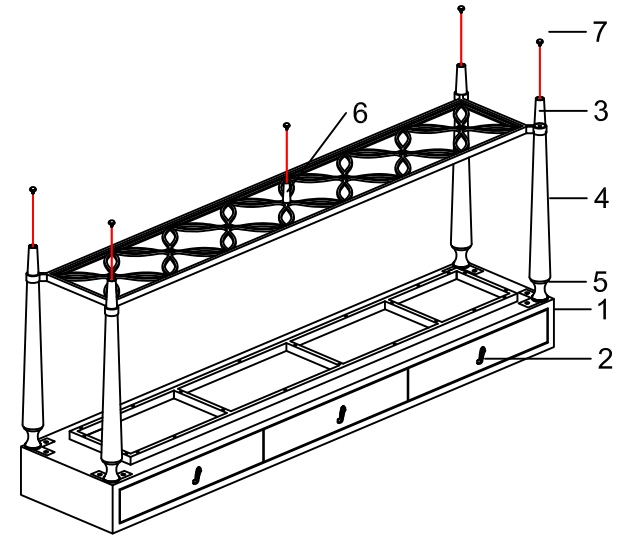


CLA-442-441				
CONSTANTLY CHARMING				
Part List				
NO.	Hardware List	Part Number	QTY	
1	 Top Frame	CLA-442-441-0307	1	
2	 The pull	CLA-442-441-0309	3	
3	 Shelf frame	CLA-442-441-027	1	
4	 Bottom Leg	CLA-442-441-0119	4	
5	 Upper Leg	CLA-442-441-0117	4	
6	 Central Support Leg	CLA-442-441-0118	1	
7	 Adjustable Floor Glide	CLA-442-441-075	5	

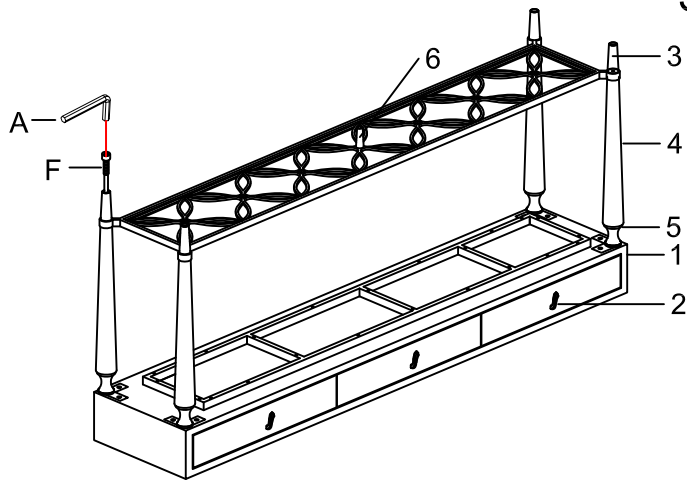
RTA Hardware				
Hardware List				QTY
A		Allen Wrench	DIA 3/8**4"	1
B		Bolts	DIA 1/4**1-1/8"	8
C		Spring Washer	DIA 1/4"	8
D		Flat Washer	DIA 1/4**16mm	8
E		Allen Wrench	4mm	1
F		Bolts	DIA 3/8**12"	4
G		Tip-Tilt Restraint Hardware Bag		1



STEP 1

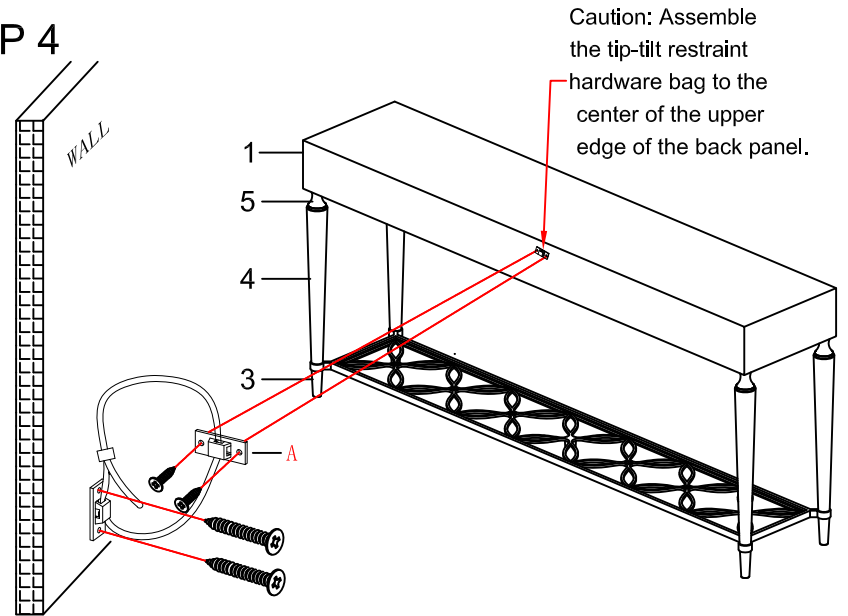


STEP 3



STEP 2

STEP 4



Caution: Assemble the tip-tilt restraint hardware bag to the center of the upper edge of the back panel.