

CLA-422-412 OH SO CHARMING

CARACOLE CLASSIC

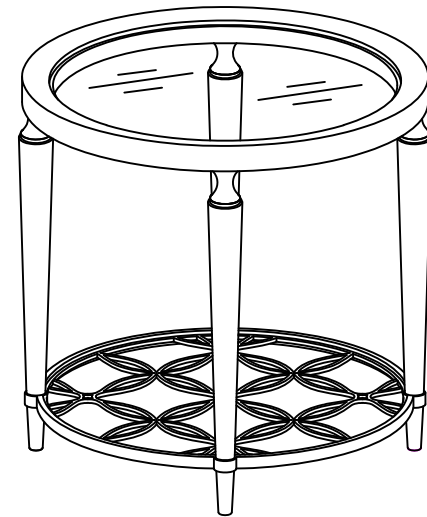
ASSEMBLY INSTRUCTIONS






PLEASE UNPACK ALL PARTS AND CHECK QUANTITY AGAINST PARTS LIST BEFORE DISCARDING PACKING CARTON!


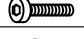
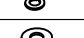

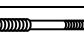


- 1) Turn the top frame upside down on a soft clean surface, Secure the legs to the back side of the top with the bolts (B), with spring washers (C), the flat washers(D), and the wrench(E).
- 2) Secure the shelf frame into the legs, with the bolts(F), and the wrench(A). Tighten up all the bolts
- 3) Place the adjustable floor glides into the legs.
- 4) Turn the top upside down. Place the plastic bumpers(G) onto the top frame. Place the glass top in
- 5) The assembling steps are done

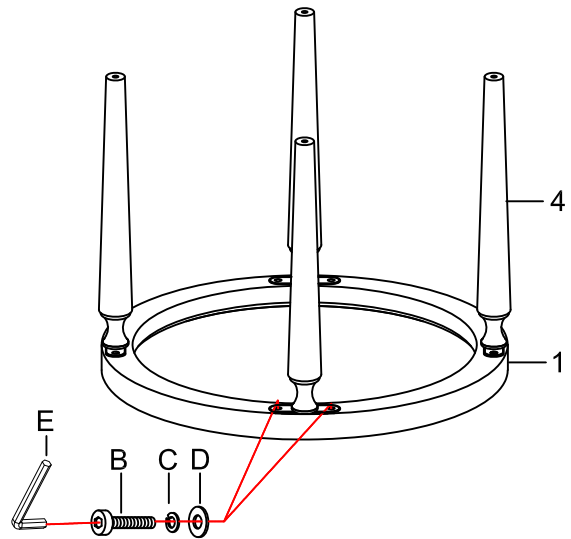
*** NOTE KEEP THIS SHEET!!! ***

In the unlikely event that you would need a replacement part, please contact your local authorized Caracole dealer.

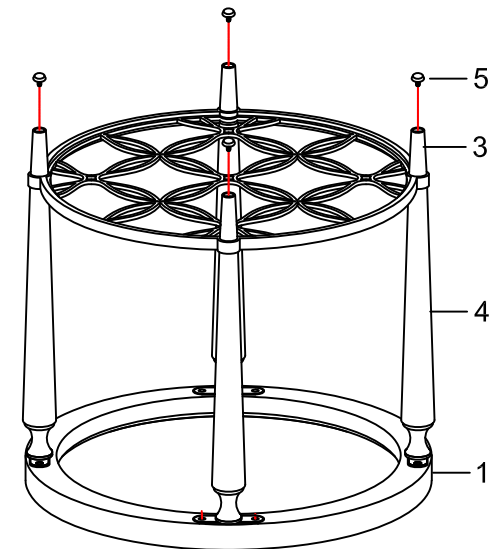


| CLA-442-412 | | | | |
|-----------------------|--|------------------|-----|--|
| OH SO CHARMING | | | | |
| Part List | | | | |
| NO. | Hardware List | Part Number | QTY | |
| 1 |  Top Frame | CLA-422-412-0307 | 1 | |
| 2 |  Glass Top | CLA-422-412-029 | 1 | |
| 3 |  Bottom Shelf | CLA-422-412-027 | 1 | |
| 4 |  Leg | CLA-422-412-018 | 4 | |
| 5 |  Adjustable Floor Glide | CLA-422-412-075 | 4 | |

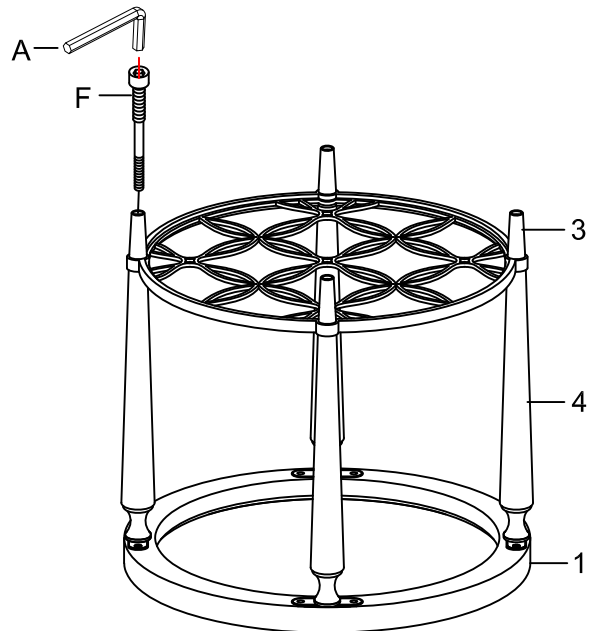
| RTA Hardware | | | | |
|---------------|---|---------------|-----------------|-----|
| Hardware List | | | | QTY |
| A |  | Allen Wrench | DIA 3/8**4" | 1 |
| B |  | Bolts | DIA 1/4**1-1/8" | 8 |
| C |  | Spring Washer | DIA 1/4" | 8 |
| D |  | Flat Washer | DIA 1/4**16mm | 8 |
| E |  | Allen Wrench | 4mm | 1 |
| F |  | Bolts | DIA 3/8**4" | 4 |
| G |  | Glear Bumper | | 8 |



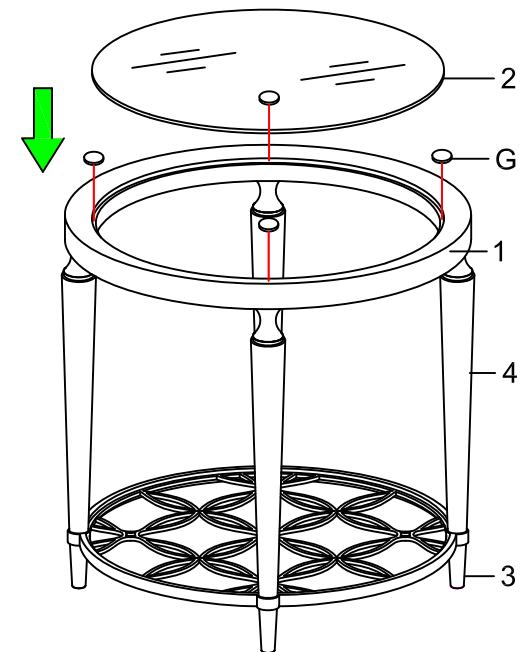
STEP 1



STEP 3



STEP 2



STEP 4